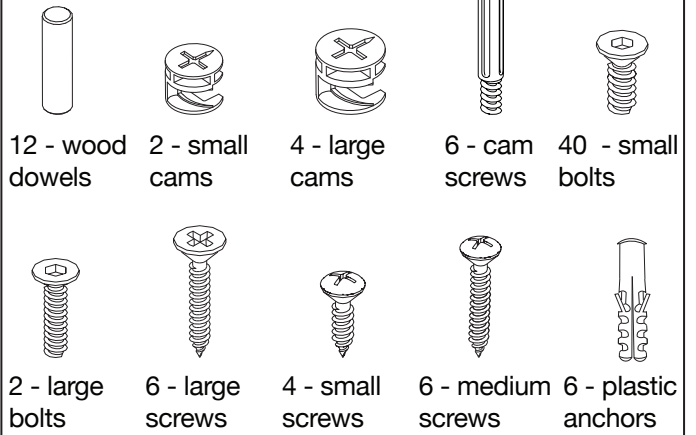


Thank you for purchasing the **Kickstand Bookshelf**. This page lists all the contents included in the box. Please take the time to identify the hardware as well as the individual components to this product. As you unpack and prepare for assembly, place the contents on a carpeted or padded area to protect them from damage.

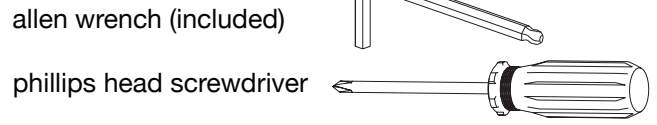
Note: 2 people are required to safely assemble this product.

hardware



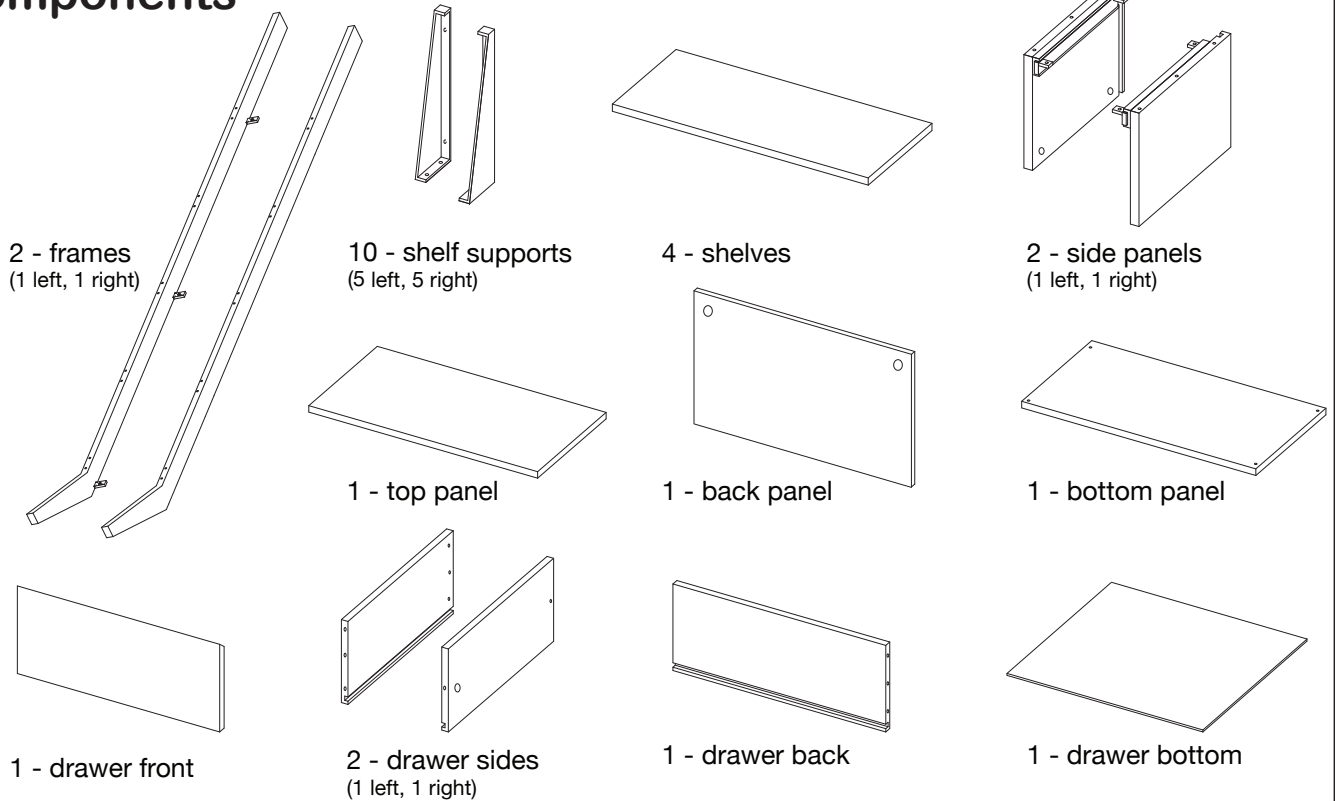
2 - pads
 Missing hardware?
 Please call **800.606.6387** for replacements.

tools required

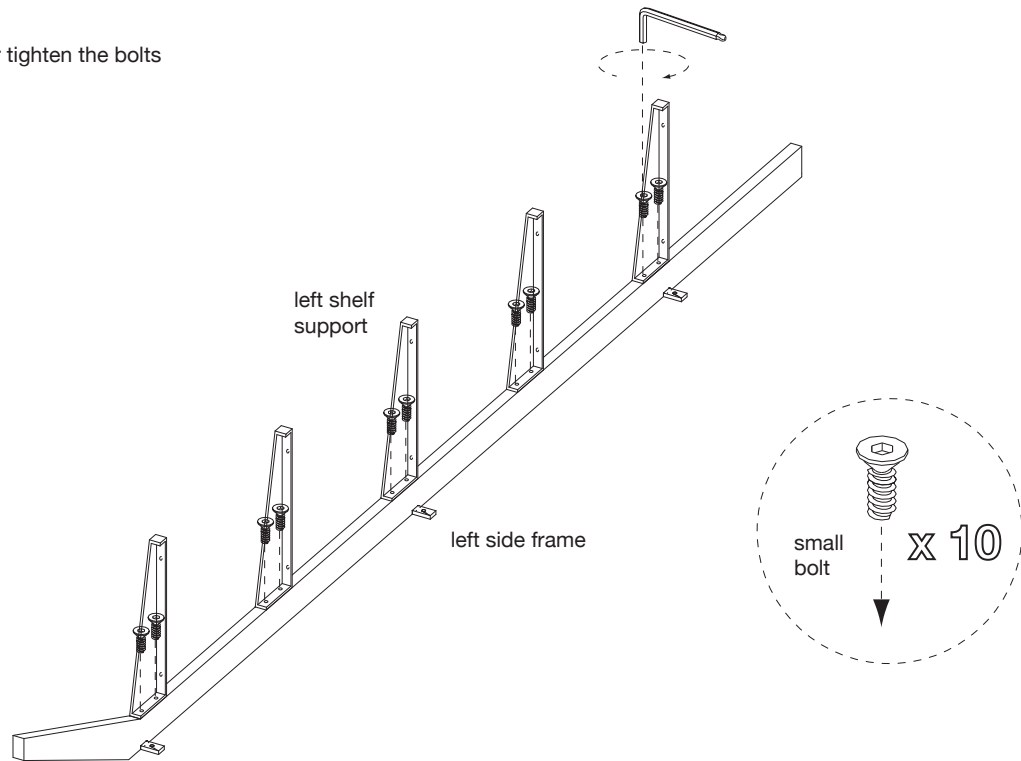


(We recommend the use of hand tools instead of power tools)

components

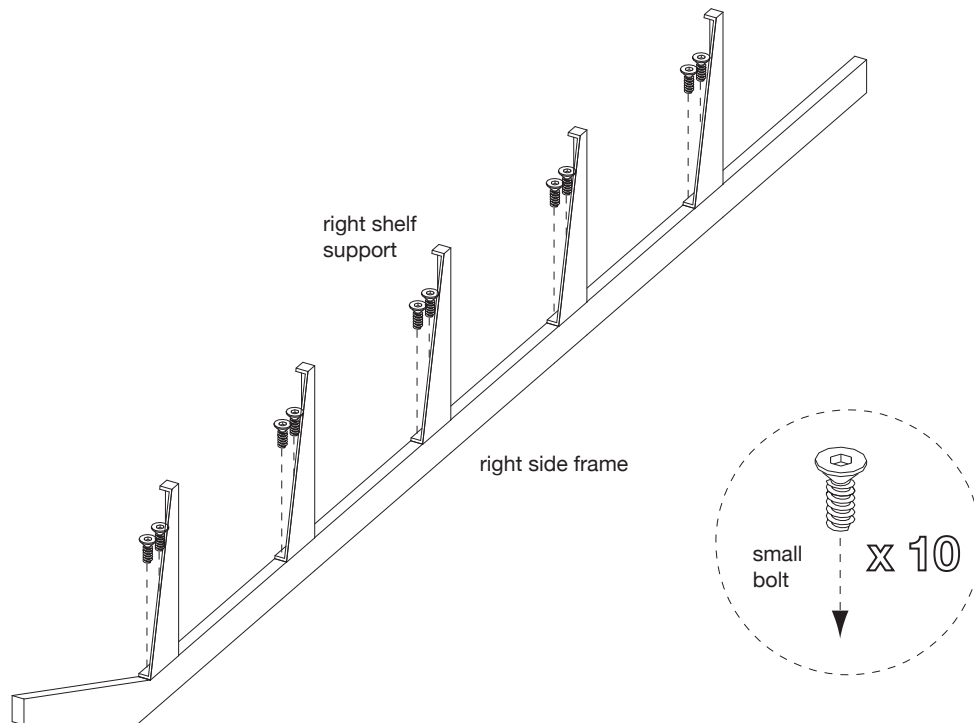


NOTE: Do not over tighten the bolts



1

Attach 5 **left shelf supports** to **left side frame** with 2 **small bolts** per support as shown. Secure, but do not over tighten with an **allen wrench**.



2

Attach 5 **right shelf supports** to **right side frame** with 2 **small bolts** per support as shown.

NOTE: Do not over tighten the cam screws

top panel

3 Insert 4 **cam screws** into **top panel** as shown. Secure, but do not over tighten, with a **phillips head screwdriver**.

NOTE: Make sure arrows on each cam point towards nearest edge with holes

left and right side panels x 2

4 Insert 2 **large cams** and 2 **wood dowels** into **right and left side panels** as shown. Make sure arrows on each cam point towards nearest edge with holes.

NOTE: Make sure grooves of side panels and top panel are assembled on the same side

left side panel

right side panel

top panel

5 Fit dowel of **left and right side panels** into **top panel**. Using a screwdriver, turn each **cam** clockwise until it securely engages each cam screw.

bottom panel

back panel

A

B

6 A. Insert **back panel** into grooves of assembly. B. Attach **bottom panel** to assembly with 4 **large screws**, using a screwdriver.

A
small bolt X 4

B
large bolt X 2

case assembly

7

A. With assistance of another adult, position *case assembly* into corresponding *shelf supports* and attach bottom panel to shelf supports with 4 **small bolts**. Do not fully tighten the bolts.

B. Secure back panel to each frame with 1 **large bolts**.

A
small bolt X 16

NOTE: Make sure labeled arrows are pointing towards front and facing the bottom during assembly

shelf

shelf

shelf

shelf

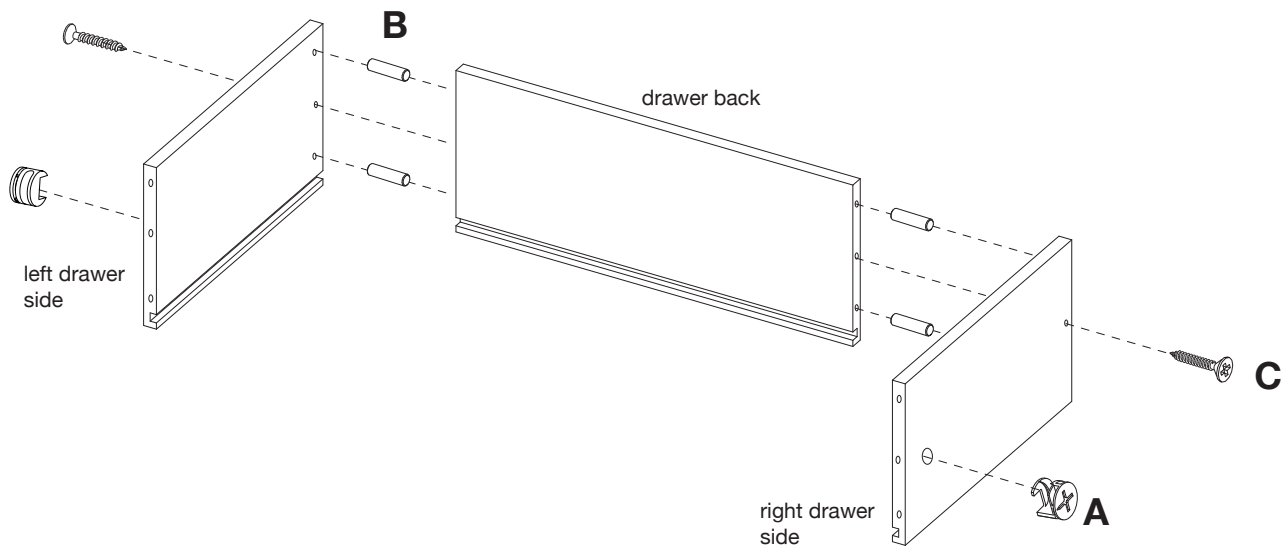
B

8

A. Position 4 **shelves** onto corresponding *shelf supports*. Secure each shelf with 4 **small bolts** as shown. At this point, fully tighten all bolts with an allen wrench.

B. Adhere 2 **pads** to bottom of *frame assembly* as shown.

NOTE: Do not over tighten the screws

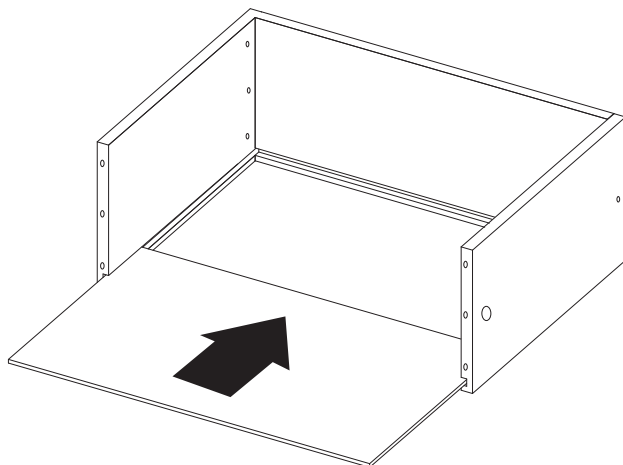


A. Insert 1 **small cam** into **left and right drawer sides** as shown. Make sure arrows on each cam point towards the nearest edge with holes.

B. Insert 4 **wood dowels** into **drawer back** as shown.

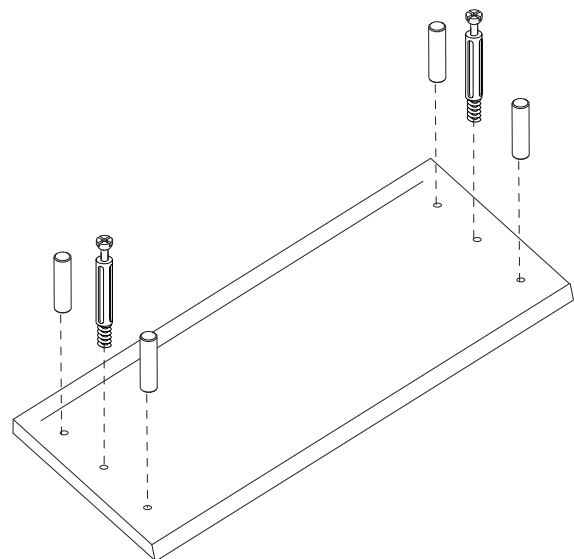
C. Fit dowels of **drawer back** into **left and right drawer sides** as shown. Attach each side with 2 **large screws**. Secure, but do not over tighten, with a **phillips head screwdriver**.

9



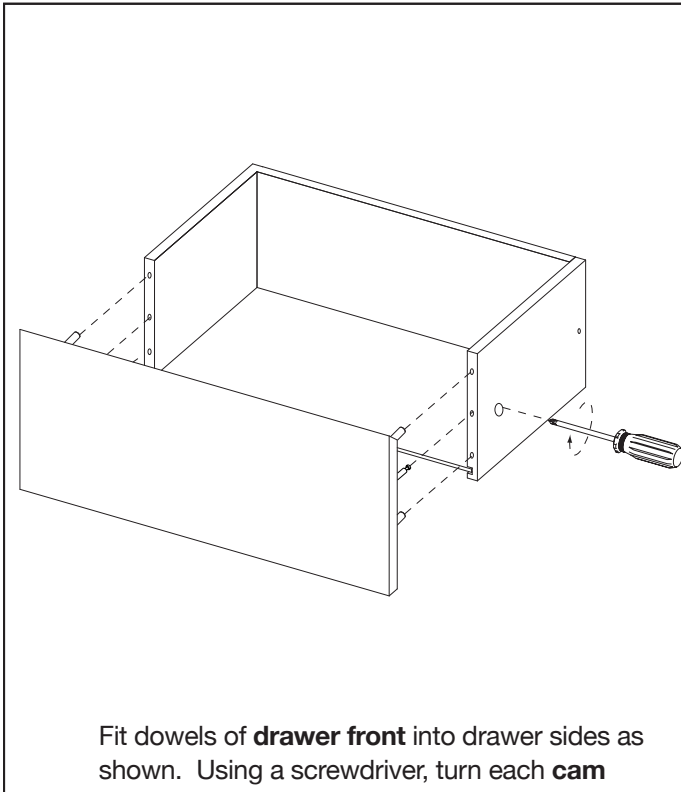
10 Insert **drawer bottom** into grooves of assembly as shown.

10



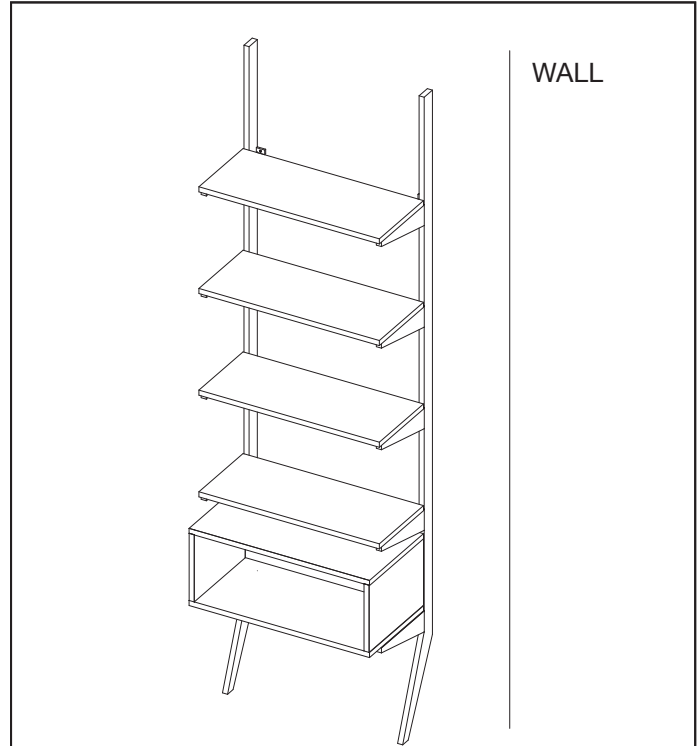
11 Insert 2 **cam screws** and 4 **wood dowels** into **drawer front** as shown, using a screwdriver.

11



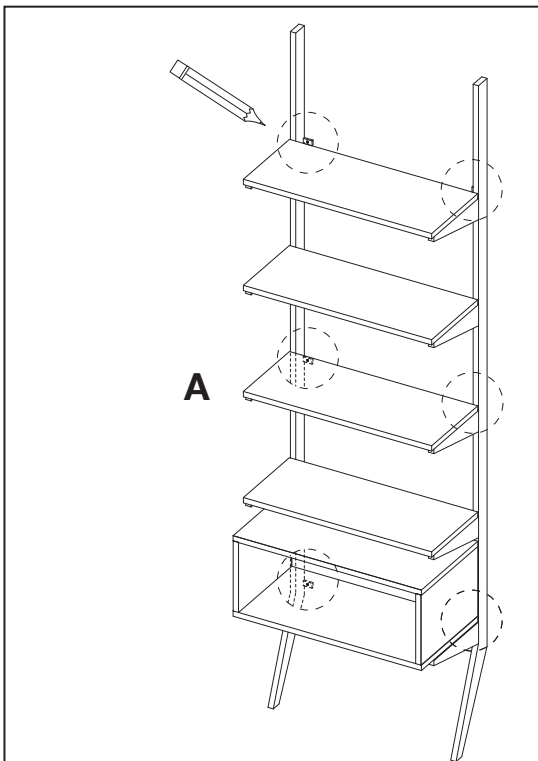
Fit dowels of **drawer front** into drawer sides as shown. Using a screwdriver, turn each **cam** clockwise until it securely engages each cam screw.

12



With the assistance of another adult, carefully position *frame assembly* upright and determine the final location of unit.

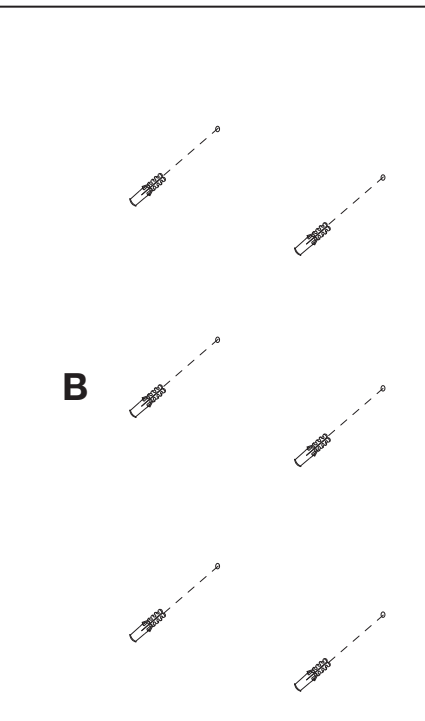
13



A. Locate bracket tabs on *left and side frames*. Mark each position on the wall. With the assistance of another adult, set assembly aside.

14

WALL



B. Drill a hole in the wall stud. If the wall stud is not available, drill a hole in the wall that is slightly smaller in diameter than the anchor. Gently tap the **plastic anchor** until the flange of the anchor is flush with the wall.

WALL

15 Place the unit so the tabs of *frame assembly* are aligned with the *plastic anchors*. Insert 1 **medium screw** through each tab and *plastic anchor* with a screwdriver.

16 Extend drawer glides from *case assembly* as shown. Align holes on underside of *drawer assembly* with holes in the drawers glides. Using a screwdriver, secure glides to drawer with 4 **small screws**. Assembly is now complete.

cleaning & care

Clean surfaces with a dry or damp soft cloth. Do not use abrasive cleaners. Do not use furniture wax or polish as the unit is finished with a protective clear lacquer.