

Thank you for purchasing the **Joint Floor Lamp**. This page lists all the contents included in the box. Please take the time to identify the hardware as well as the individual components to this product. As you unpack and prepare for assembly, place the contents on a carpeted or padded area to protect them from damage.

hardware



1 - washer



1 - nut

Missing hardware?
Please call **800.606.6387**
for replacements.

tools



wrench

components



1 - socket
ring



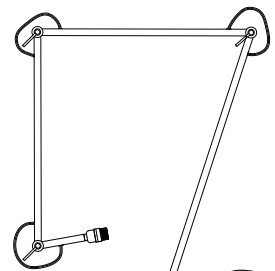
1 - lampshade



1 - diffuser



1 - base



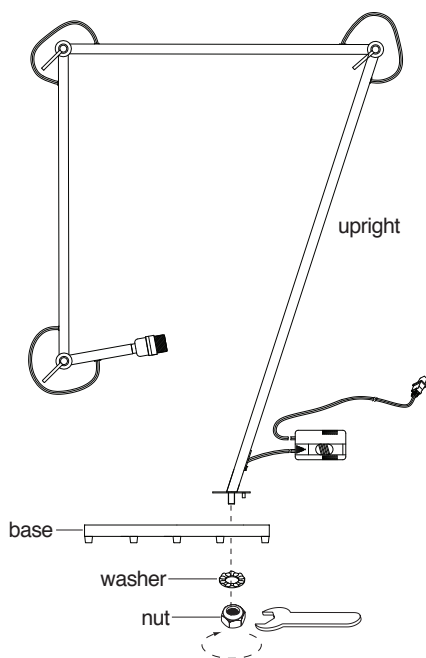
1 - upright



1 - 23 watt max CFL bulb
(INCLUDED)

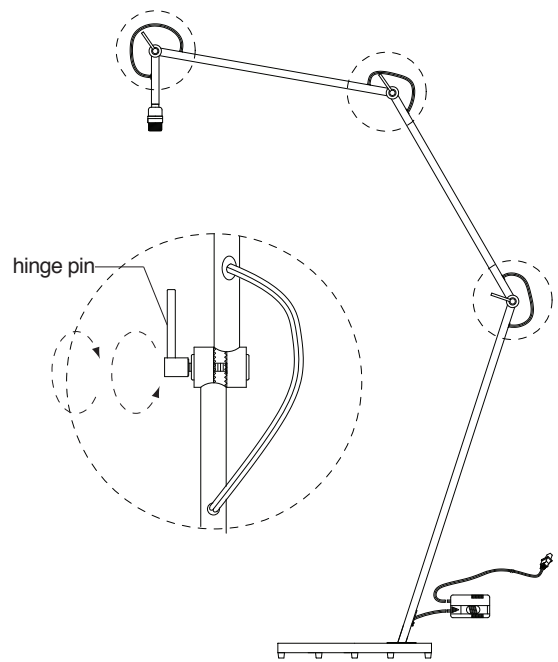
OR

1 - 150 watt max type A
standard bulb
(NOT INCLUDED)



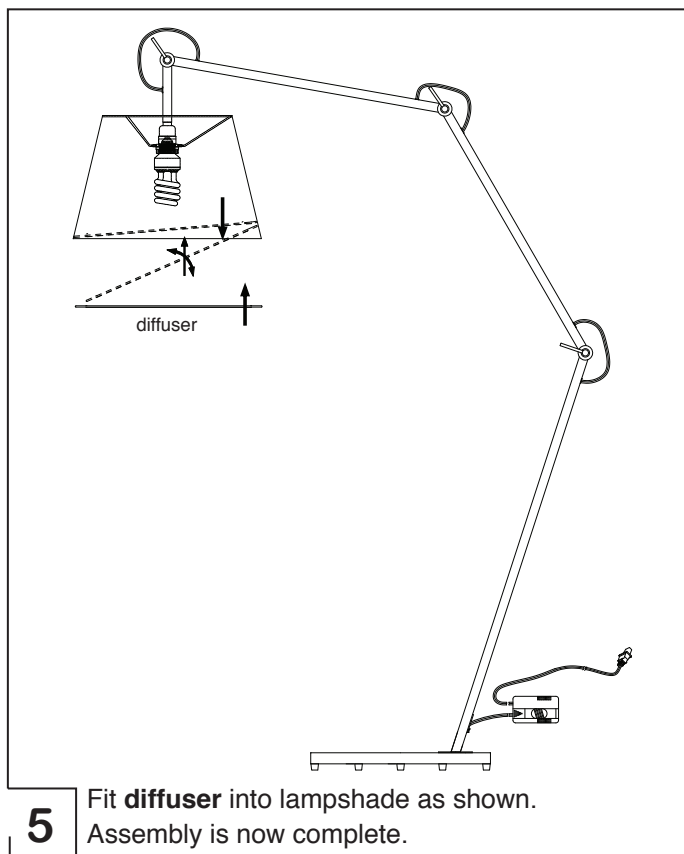
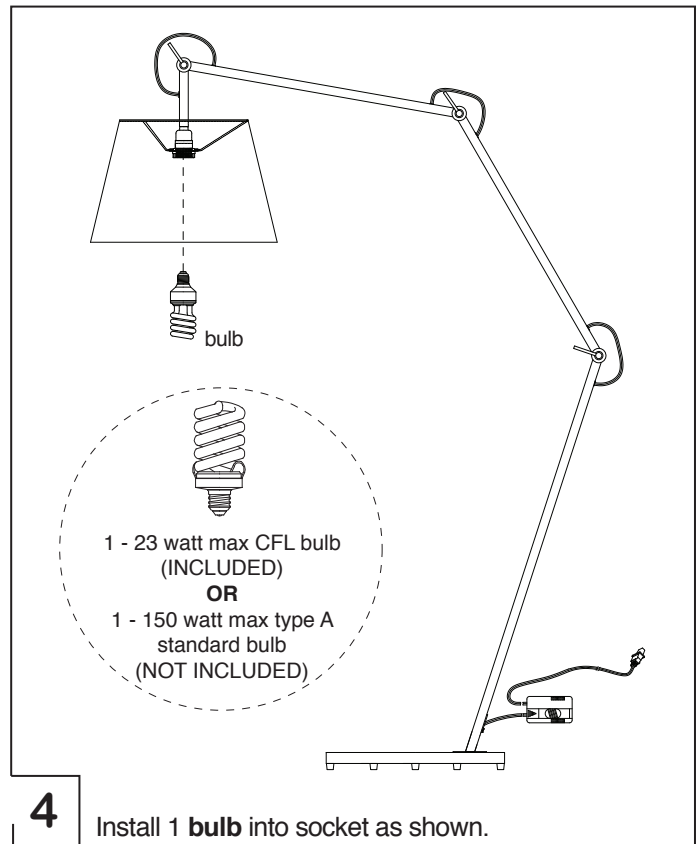
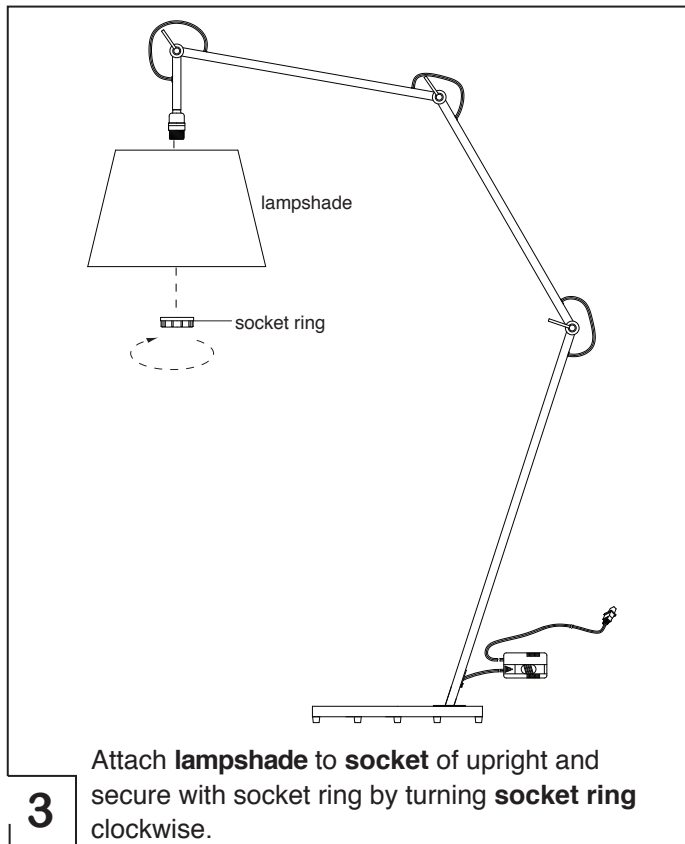
1

Fit threaded bolt of **upright** into corresponding hole of **base**. Secure upright to base with 1 **washer** and 1 **nut**, using a **wrench**. Do not over tighten.



2

Adjust upright to desired position by turning each **hinge pin** clockwise to tighten and counter clockwise to loosen.



IMPORTANT SAFETY INSTRUCTIONS:

This portable lamp has a polarized plug (one blade is wider than the other) as a safety feature to reduce the risk of electric shock. This plug will fit in a polarized outlet only one way. If the plug does not fit fully in the outlet, reverse the plug. If it still does not fit, contact a qualified electrician. Never use with an extension cord unless plug can be fully inserted. Do not attempt to override this safety feature.

cleaning & care

Do not use polishes or cleaners on your lamp. Dust surfaces with a dry soft cloth.