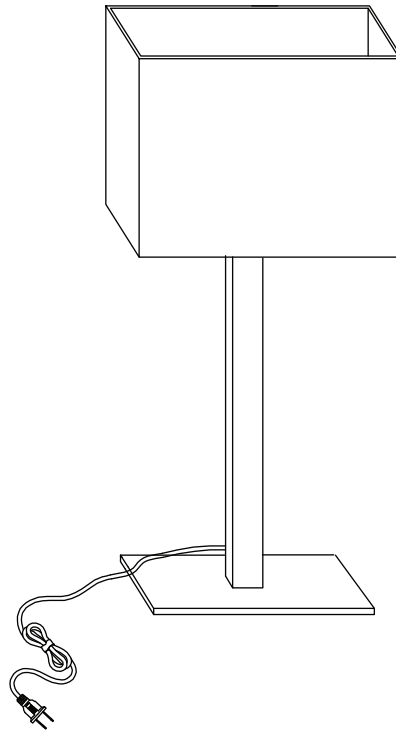


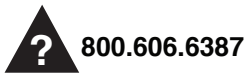
This page lists the contents included in the box. Please take time to identify the hardware as well as the individual components of the product. As you unpack and prepare for assembly, place the contents on a carpeted or padded area to protect them from damage. Please follow the assembly instructions closely. Improper assembly can result in personal or property damage.

### IMPORTANT SAFETY INSTRUCTIONS:

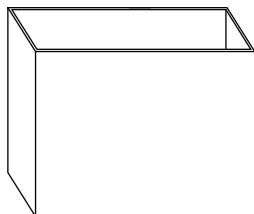
**This portable lamp has a polarized plug (one blade is wider than the other) as a safety feature to reduce the risk of electric shock. This plug will fit in a polarized outlet only one way. If the plug does not fit fully in the outlet, reverse the plug. If it still does not fit, contact a qualified electrician. Never use with an extension cord unless plug can be fully inserted. Do not attempt to override this safety feature.**



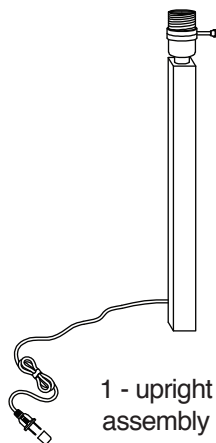
## hardware & components



1 - base



1 - shade



1 - upright assembly



1 - shade ring

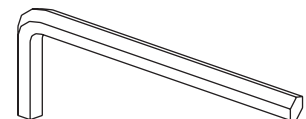


2 - bolts



1 - 23 watt max CFL dimmable bulb (INCLUDED)  
OR  
1 - 100 watt max type A standard bulb (NOT INCLUDED)

## tools required

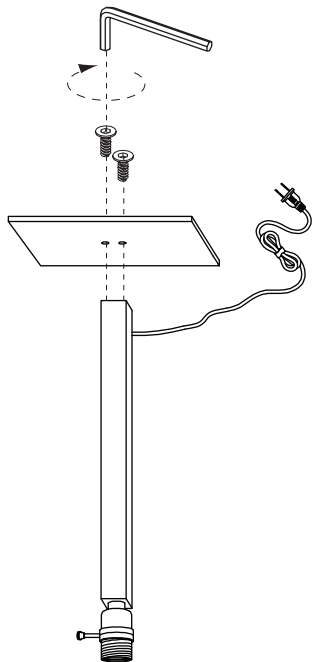


allen wrench (included)

## cleaning & care

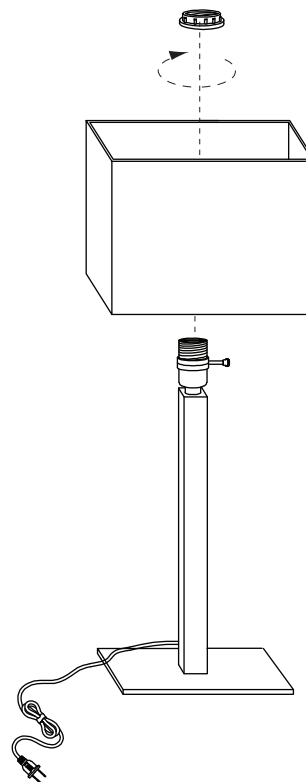
Dust surfaces with a dry soft cloth. Do not use cleaners or polishes on the lamp.

1



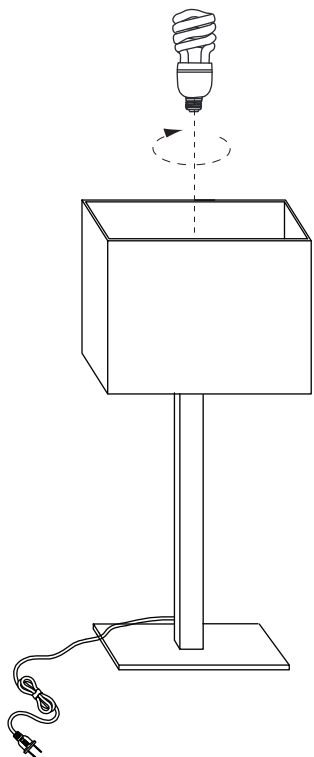
Attach **base** to **upright assembly** with 2 bolts. Secure, but do not overtighten, with the **allen wrench**.

2



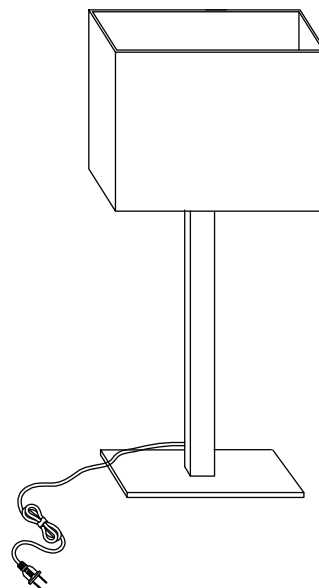
Fit **shade** onto the assembly as shown, and secure with the **socket ring**.

3



Insert 1- **bulb** into socket. **DO NOT EXCEED SPECIFIED WATTAGE.**

4



Assembly is now complete.