

Thank you for purchasing the **John Floor Lamp**. This page lists all the contents included in the box. Please take the time to identify the hardware as well as the individual components to this product. As you unpack and prepare for assembly, place the contents on a carpeted or padded area to protect them from damage.

hardware



2 - bolts

Missing hardware?
Please call **800.606.6387** for replacements.

tools required

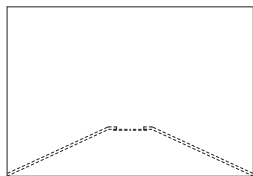
allen wrench (included)



IMPORTANT SAFETY INSTRUCTIONS:

This portable lamp has a polarized plug (one blade is wider than the other) as a safety feature to reduce the risk of electric shock. This plug will fit in a polarized outlet only one way. If the plug does not fit fully in the outlet, reverse the plug. If it still does not fit, contact a qualified electrician. Never use with an extension cord unless plug can be fully inserted. Do not attempt to override this safety feature.

components



1 - lampshade



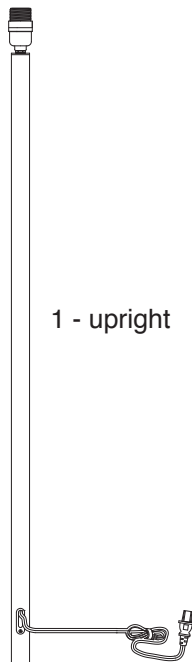
1 - socket ring



1 - 23 watt max CFL bulb
(INCLUDED)

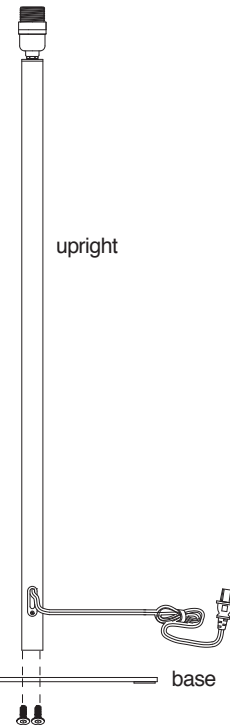
OR

1 - 150 watt max type A
standard bulb
(NOT INCLUDED)



1 - upright

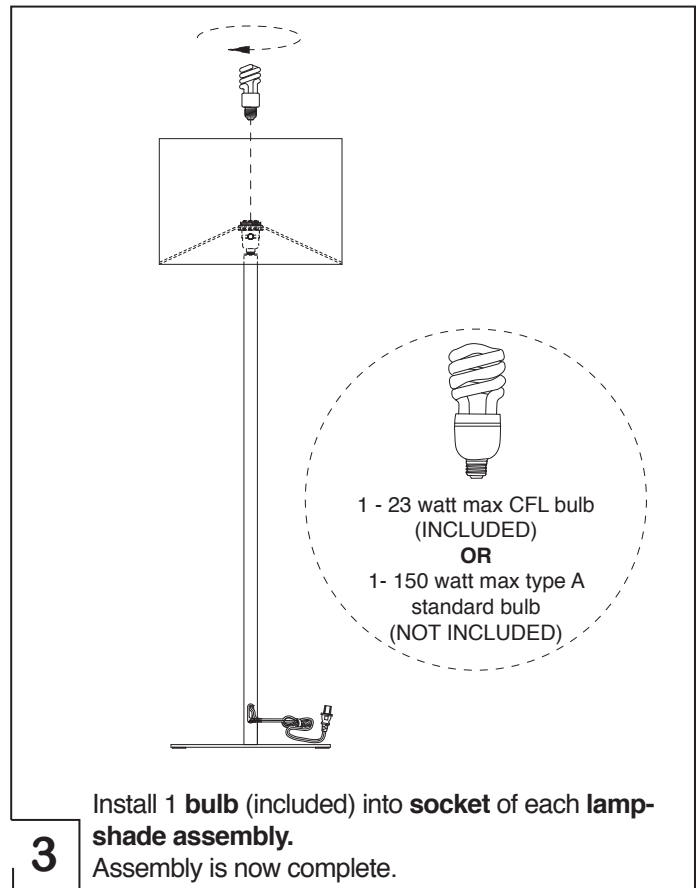
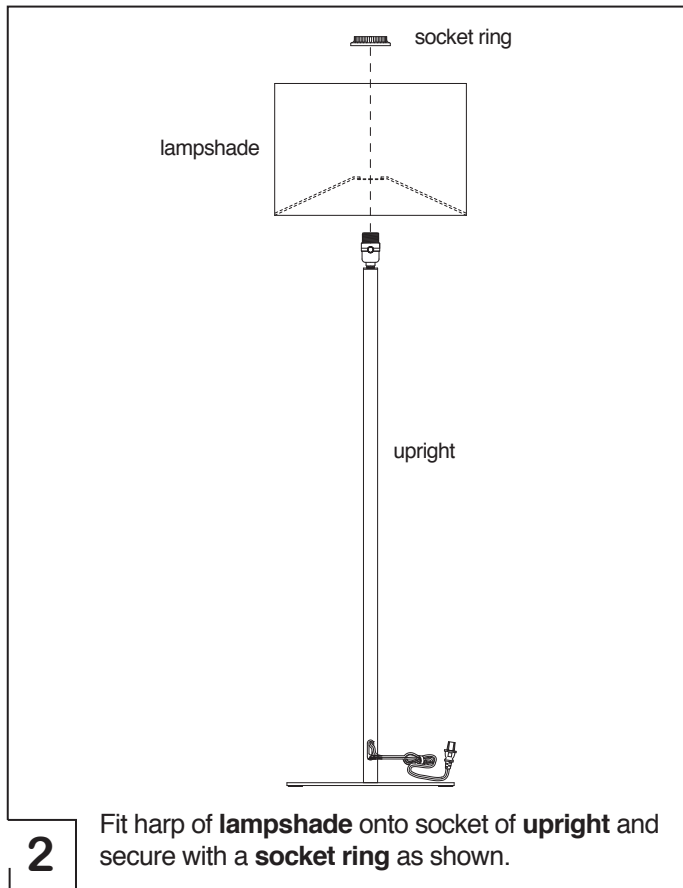
1 - base



NOTE: Do not over tighten the bolts

Attach **upright** to **base** with 2 **bolts** as shown. Secure, but do not over tighten, the bolts using an **allen wrench**.

1



cleaning & care

Do not use polishes or cleaners on your lamp.
Dust surfaces with a dry soft cloth.