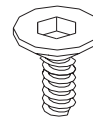


Thank you for purchasing the **Joe Dining Chair**. This page lists all the contents included in the box. Please take the time to identify the hardware as well as the individual components to this product. As you unpack and prepare for assembly, place the contents on a carpeted or padded area to protect them from damage.

## hardware



4 - bolts

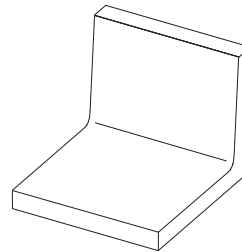
Missing hardware? Please call **800.606.6387** for replacements.

## tools required

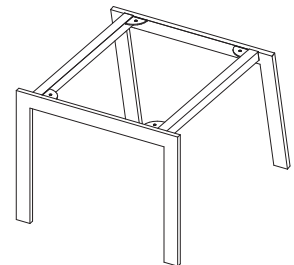


allen wrench (included)

## components



1 - seat

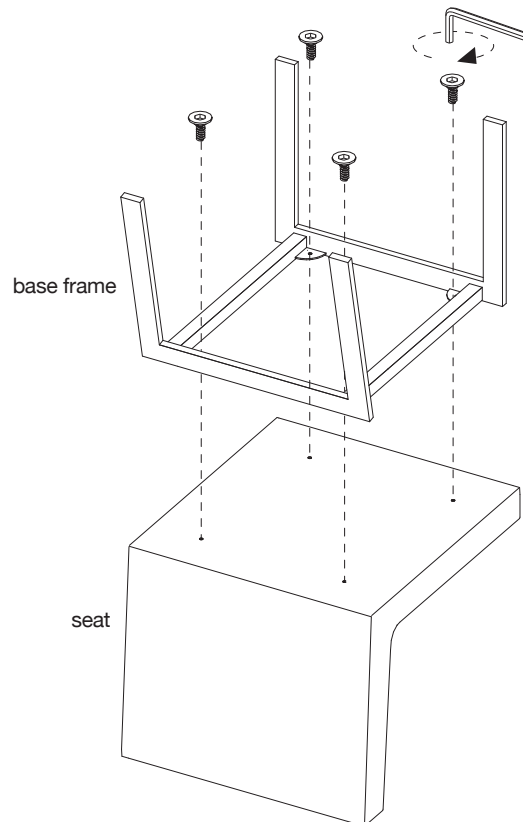


1 - base frame

## assembly

Carefully place **seat** onto a clean, padded surface as shown. Attach **base frame** to **seat** with **4 bolts** as shown. Secure bolts with an **allen wrench**. Position chair upright.

Assembly is now complete.



## CLEANING AND CARE

Clean surfaces with a dry or damp soft cloth. Do not use abrasive cleaners. Seats should be vacuumed regularly.