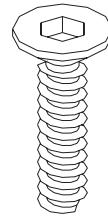
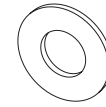


Thank you for purchasing the **Jack side table**. This page lists all the contents included in the box. Please take the time to identify the hardware as well as the individual components to this product. As you unpack and prepare for assembly, place the contents on a carpeted or padded area to protect them from damage.

## hardware



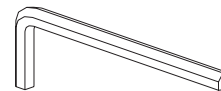
4 - bolts



4 - flat washers

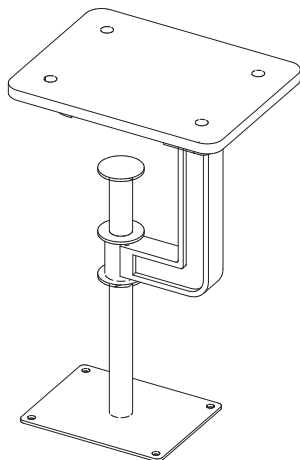
Missing hardware?  
Please call **800.606.6387** for replacements.

## tools required

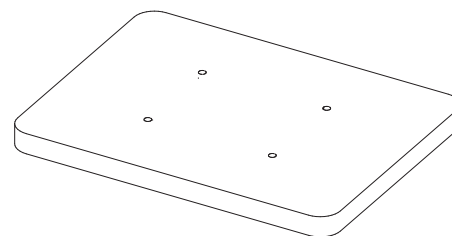


allen wrench (included)

## components

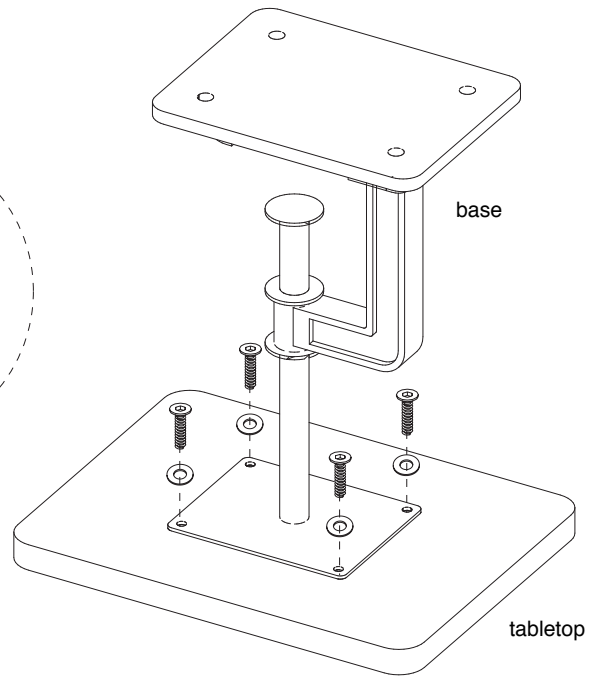
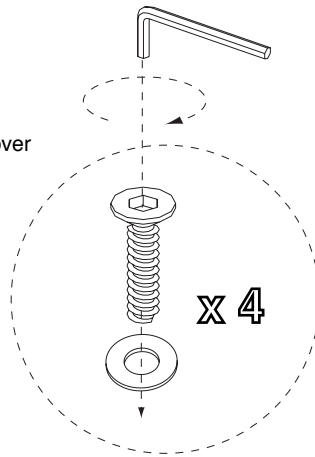


1 - base



1 - tabletop

NOTE: Do not over tighten the bolts



Place **tabletop** upside down onto a clean, padded surface as shown. Attach **base** to bottom of **tabletop** with 4 **bolts** and 4 **washers** as shown. Turn each bolt clockwise with an **allen wrench** to secure. Do not over tighten the bolts. Position unit upright.

1

Assembly is now complete.

## cleaning and care

Clean surfaces with a dry or damp soft cloth. Do not use abrasive cleaners.