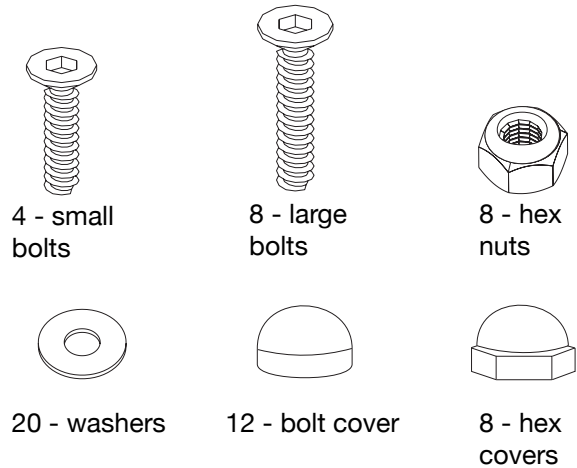


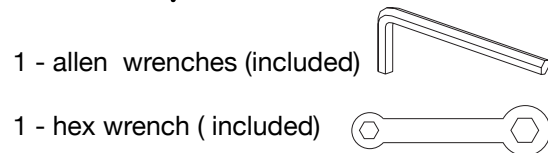
Thank you for purchasing the **Ipanema Square Table**. This page lists all the contents included in the box. Please take time to identify the hardware as well as the individual components of this product. As you unpack and prepare for assembly, place the contents on a carpeted or padded area to protect them from damage. **NOTE:** 2 people are required to safely assemble this product.

hardware

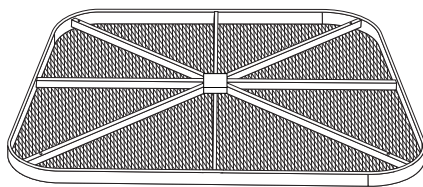


Missing hardware?
Please call **800.606.6387** for replacements.

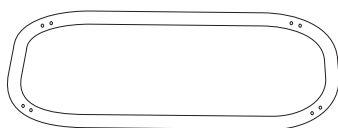
tools required



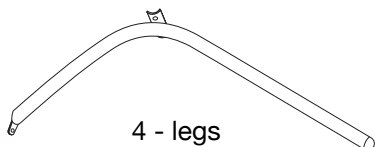
components



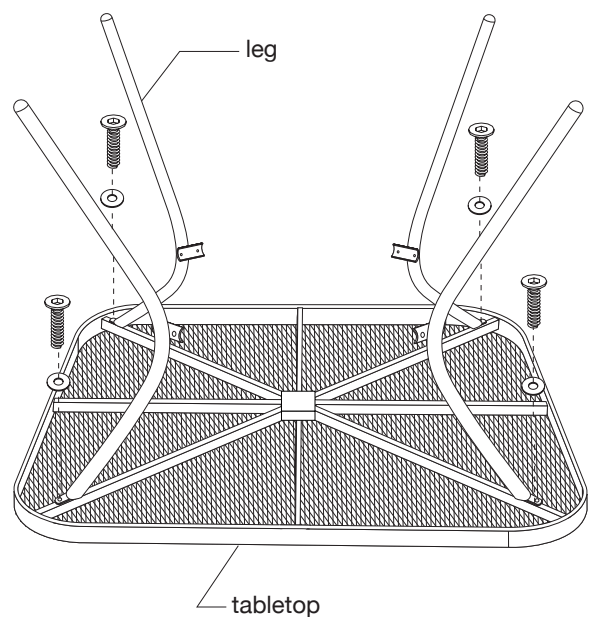
1 - tabletop



1 - support ring

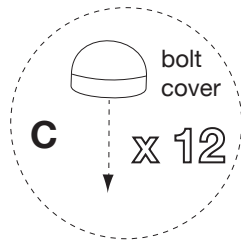
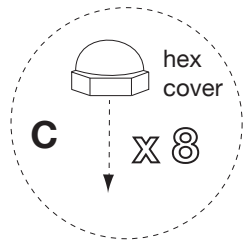


4 - legs



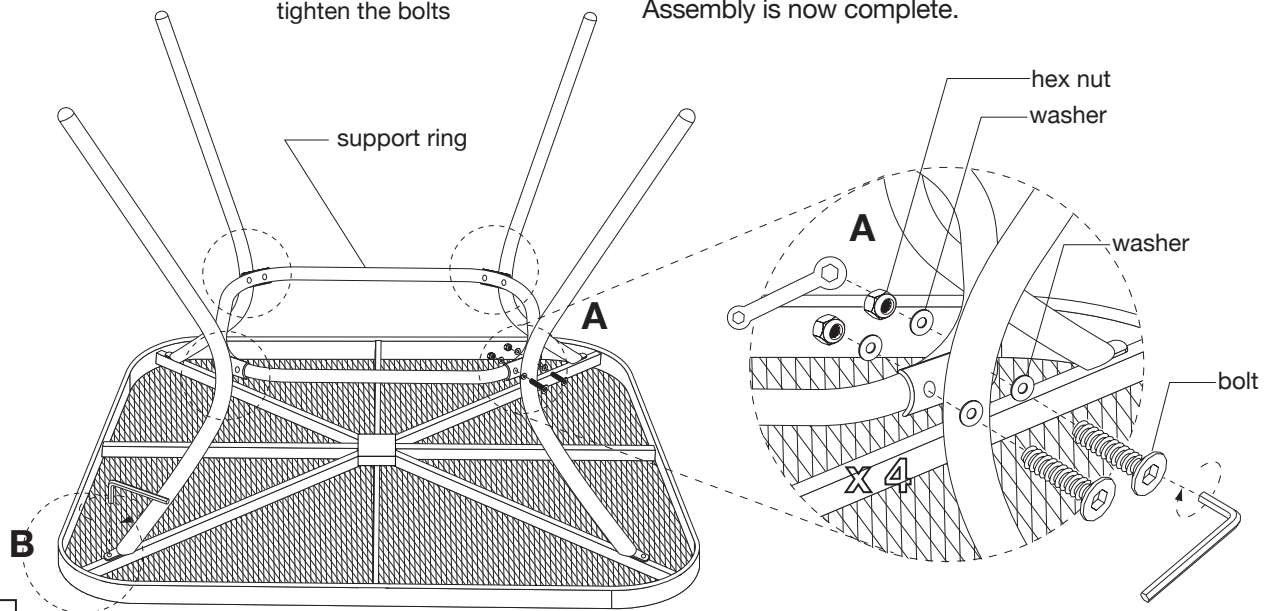
1

Place **tabletop** upside down onto a clean, padded surface. Loosely attach 4 **legs** to **tabletop** with 1 **small bolt** and 1 **washer** per leg as shown.



NOTE: Do not over tighten the bolts

A) With the assistance of another adult, fit **support ring** into corresponding *brackets* of legs. Loosely secure **support ring** to each **leg** with 2 **large bolts**, 4 **washers** and 2 **hex nuts** as shown. Fully tighten *large bolt* by turning **allen wrench** clockwise while holding *hex nut* with **hex wrench**. Do not over tighten the bolts.
 B) Fully tighten **small bolts** with an **allen wrench**.
 C) Insert 12 **bolt covers** onto exposed *bolts* and 8 **hex covers** onto exposed *hex nuts* as shown. Press firmly to secure. Position unit upright. Assembly is now complete.



2

CLEANING & CARE

Clean surfaces with a dry or damp soft cloth. Do not use abrasive cleaners. It is recommended to cover the table in inclement weather.