

Thank you for purchasing the **Infinity Wall Mirror**. This page lists all the contents included in the box. Please take the time to identify the hardware as well as the individual components to this product. As you unpack and prepare for assembly, place the contents on a carpeted or padded area to protect them from damage. Note: 2 people are recommended to safely install this product.

cleaning & care

Clean surfaces with a dry soft cloth. Do not use abrasive cleaners.

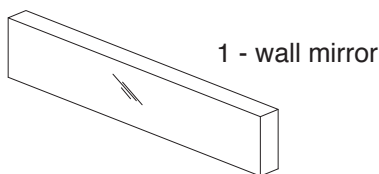
hardware



2 - screws 2 - plastic anchors

Missing hardware?
Please call **800.606.6387** for replacements.

components



1 - wall mirror

tools required



level

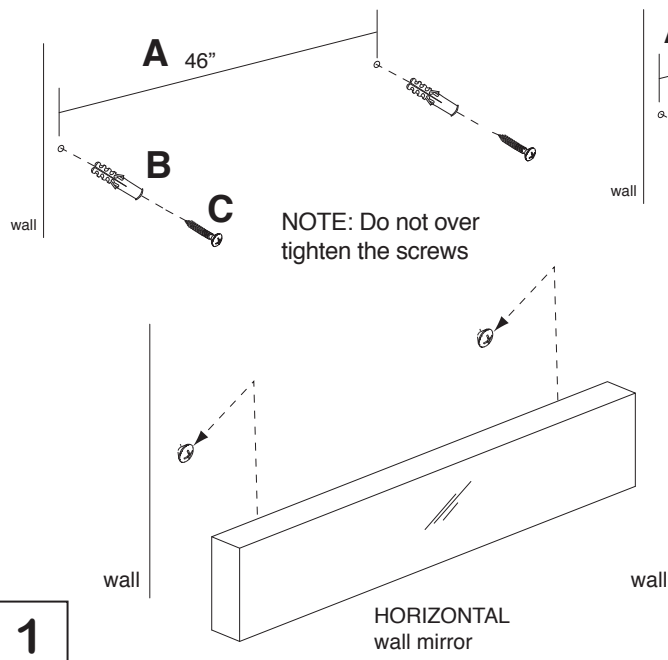
phillips head screwdriver

(We recommend the use of hand tools instead of power tools)

wall mounting assembly

NOTE: If you are unsure about your wall type or what mounting method you should use, consult a qualified professional or your local hardware store.

For safe mounting, it is essential to use wall anchors appropriate to your wall type (i.e. plaster, drywall, concrete, etc.). Mount to wood studs whenever possible. These instructions are for drywall mounting only.



A) Determine the final location and orientation (horizontal or vertical) of unit. Using a level, position **wall mirror** onto wall until it is level. Mark 2 hole positions on the wall.

B) Drill a pilot hole in the wall stud. If the wall stud is not available, drill a hole in the wall that is slightly smaller in diameter than the anchor. Insert 2 **plastic anchors** into holes. Gently tap **plastic anchors** until the flange of the anchor is flush with the wall.

C) Insert 2 **screws** into the **plastic anchors** in the wall as shown. Secure, but do not over tighten, screws using a screwdriver.

D) Fit keyholes of **wall mirror** onto screws. Make sure wall mirror is securely supported by screws.

Installation is now complete.