

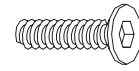


Thank you for purchasing the **Ideal Chair**. This page lists all the contents included in the box. Please take time to identify the hardware as well as the individual components of this product. As you unpack and prepare for assembly, place the contents on a carpeted or padded area to protect them from damage.

hardware



5 - small bolts



2 - medium bolts



2 - large bolts



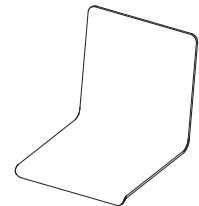
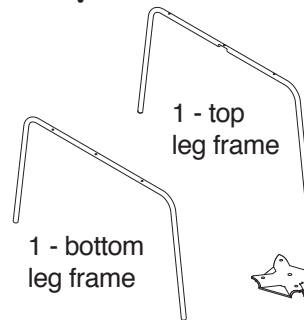
2 - front plastic pads



2 - back plastic pads

Missing hardware? Please call **800.606.6387** for replacements.

components



1 - seat

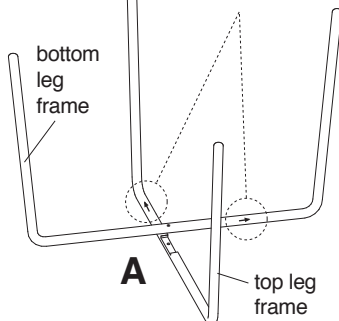
1 - connecting plate

tools required

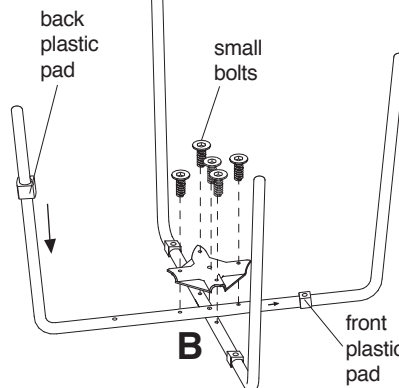
allen wrench (included)



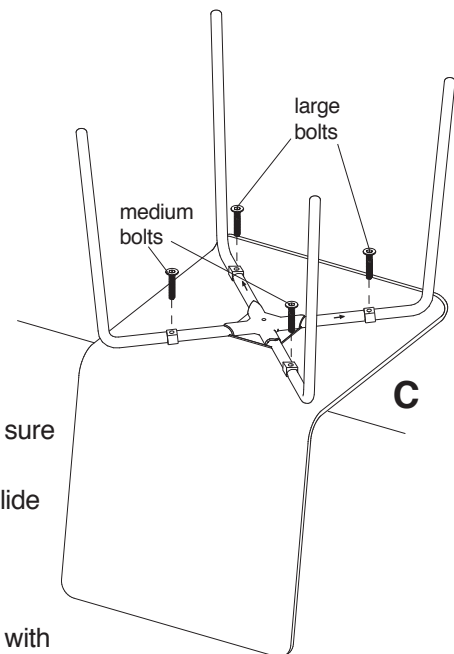
NOTE: Make sure arrow of each leg frame are on assembled on the same side as shown



A



B



C

A) Fit **bottom leg frame** into corresponding notch of **top leg frame**. Make sure arrows on legs are positioned as shown.

B) Loosely attach **connecting plate** to leg assembly with 5 **small bolts**. Slide 2 **front plastic pads** and 2 **back plastic pads** over corresponding holes in each **leg frame** as shown.

C) Place **seat** onto a clean, padded surface as shown. Align pads of leg assembly with corresponding holes of **seat**. Secure the **front plastic pads** with 2 **large bolts**. Secure the **back plastic pads** with 2 **medium bolts**. At this point fully tighten all **bolts** on connecting plate with the **allen wrench**.

Assembly is now complete.

cleaning & care

Clean surfaces with a dry or damp soft cloth. Do not use abrasive cleaners. Periodically check and re-tighten bolts as necessary.