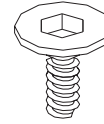


Thank you for purchasing the **Horqueta Chair**. This page lists all the contents included in the box. Please take time to identify the hardware as well as the individual components of this product. As you unpack and prepare for assembly, place the contents on a carpeted or padded area to protect them from damage.

hardware



4 - feet



2 - large bolts



5 - small bolts

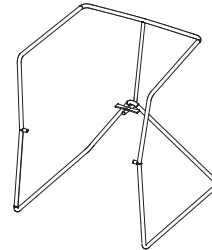
Missing hardware?

Please call **800.606.6387** for replacements.

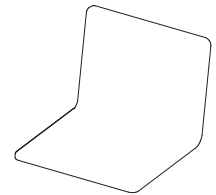
components



1 - crossbar



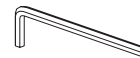
1 - leg frame



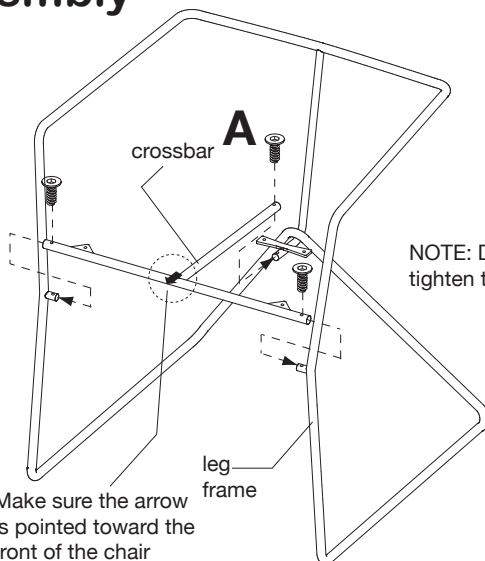
1 - seat

tools required

allen wrench (included)



assembly

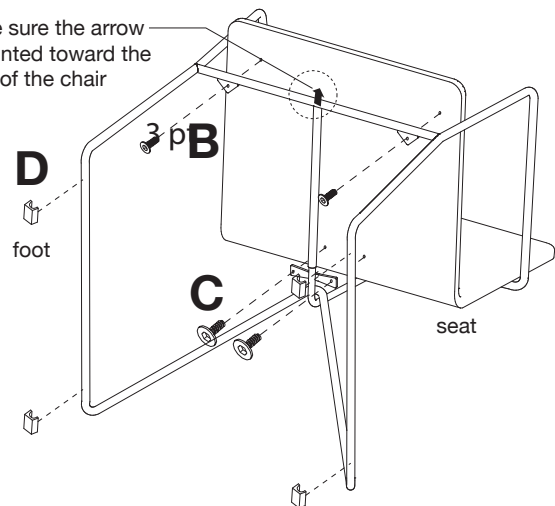


Make sure the arrow is pointed toward the front of the chair

A. Attach **crossbar** to **leg frame** as shown with 3 **small bolts** as shown. Secure, but do not over tighten, bolts with an **allen wrench**.

NOTE: Do not over tighten the bolts

Make sure the arrow is pointed toward the front of the chair



B. Position **leg frame** on its back as shown. Attach front brackets of **leg frame** to **seat** with 2 **small bolts** as shown.
 C. Attach back brackets of **leg frame** to **seat** with 2 **large bolts** as shown, using an allen wrench.
 D. Insert 4 **feet** to bottom of **leg frame** as shown. Position chair upright. Assembly is now complete.

cleaning & care

Clean surfaces with a dry or damp soft cloth. Do not use abrasive cleaners. Periodically check bolts and tighten as necessary.