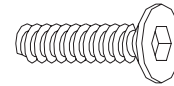


Thank you for purchasing the **Herringbone Coffee Table**. This page lists all the contents included in the box. Please take the time to identify the hardware as well as the individual components to this product. As you unpack and prepare for assembly, place the contents on a carpeted or padded area to protect them from damage.
Note: 2 people are recommended to safely assemble this product.

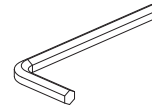
hardware



8 - bolts

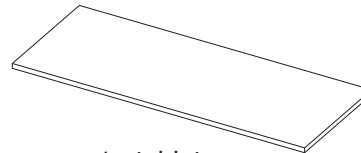
Missing hardware?
Please call **800.606.6387** for replacements.

tools required

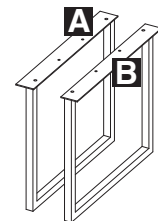


allen wrench (included)

components



1 - tabletop



2 - leg frames

assembly

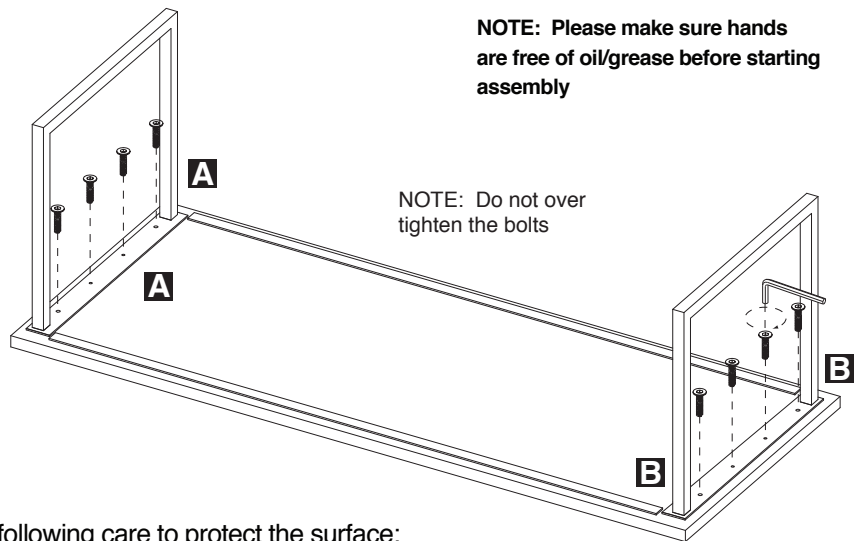
With the assistance of another adult, carefully place **tabletop** upside onto a clean, padded surface as shown. Attach 2 **leg frames** to **tabletop** with 4 **bolts** per leg frame as shown. Secure, but do not over tighten, bolts with an **allen wrench**. Position unit upright.

Assembly is now complete.

cleaning & care

Tabletop is unfinished so please take the following care to protect the surface:

- It is highly recommended to use coasters to protect surface from heat and water
- Wipe up spills as soon as possible to prevent spotting
- Clean surfaces with a dry soft cloth.
- Do not use abrasive cleaners
- If desired, apply beeswax (Wood color may change) for added protection
- Tabletop can be conditioned by light sanding using 320 grit wood sanding paper (Take caution of wood dust)



NOTE: Please make sure hands are free of oil/grease before starting assembly

NOTE: Do not over tighten the bolts