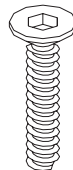
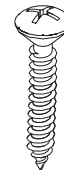


Thank you for purchasing the **Helix Bookcase**. This page lists all the contents included in the box. Please take the time to identify the hardware as well as the individual components to this product. As you unpack and prepare for assembly, place the contents on a carpeted or padded area to protect them from damage.
 Note: 2 people are required to safely assemble this product.

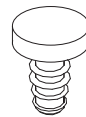
hardware



16 - bolts



2 - screws



2 - adjustable feet



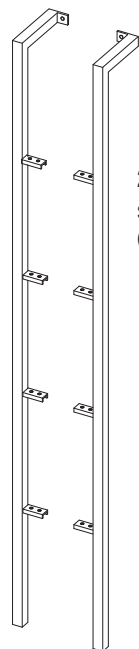
2 - plastic anchors

Missing hardware?
 Please call **800.606.6387** for replacements.

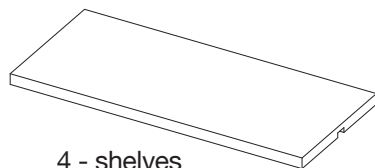
tools required



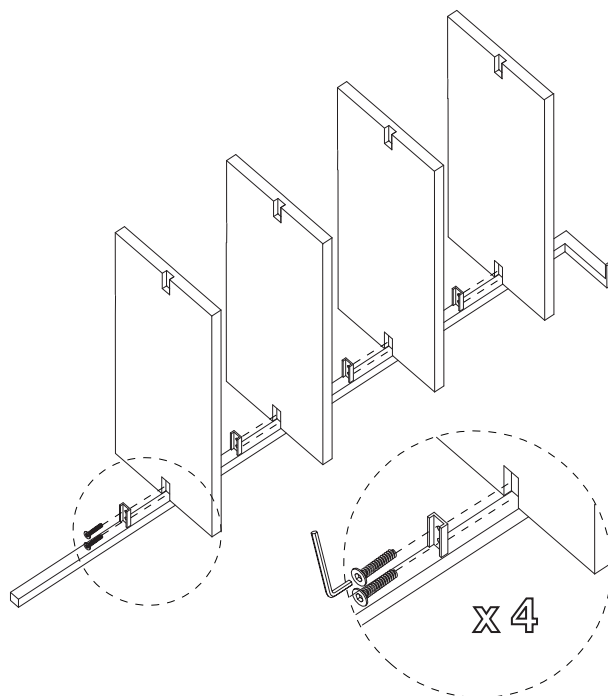
components



2 - side supports
 (1 left, 1 right)



4 - shelves



1 Attach 4 **shelves** to **left side support** with 2 **bolts** per shelf as shown. Secure bolts with an **allen wrench**.

2

A. Attach **right side support** to shelves of assembled unit with **2 bolts** per shelf as shown. Secure bolts with an **allen wrench**.

B. Attach **2 adjustable feet** to bottom of each support as shown. Turn feet clockwise to secure.

3

WALL

With the assistance of another adult, place shelving unit in desired location against the wall. Make sure both supports of shelving unit are level. Mark the location of the hole in the bracket on the wall. Move the unit out of the workspace.

4

WALL

A. With a **1/4"** drill bit, drill 2 holes as shown. Screw the **plastic anchors** into the holes until they are flush to the wall.

B. Insert 1 **screw** through each metal bracket and into the drywall anchor. Secure, but do not over tighten with a **phillips head screwdriver**. Assembly is now complete.

NOTE: These instructions are for drywall mounting only. For safe installation it is essential to use hardware appropriate for your wall type. Mount to wood wall studs whenever possible. If you are unsure of what type of fasteners to use, consult your local hardware store or a qualified professional.

cleaning & care

Clean surfaces with a dry or damp soft cloth. Do not use abrasive cleaners. Do not use furniture wax or polish as the unit is finished with a protect clear lacquer.