

Thank you for purchasing the **Hearty Dining Table**. This page lists all the contents included in the box. Please take the time to identify the hardware as well as the individual components to this product. As you unpack and prepare for assembly, place the contents on a carpeted or padded area to protect them from damage.  
Note: 2 people are recommended to safely assemble this product.

## hardware



16 - large bolts



8 - small bolts  
(pre-attached to pulls)

Missing hardware?  
Please call **800.606.6387** for replacements.

## tools required

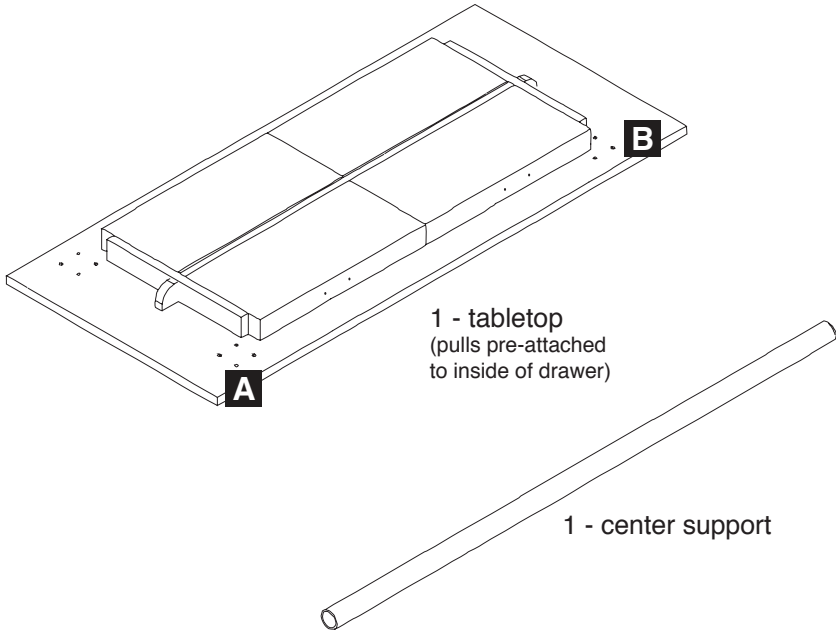


allen wrench (included)



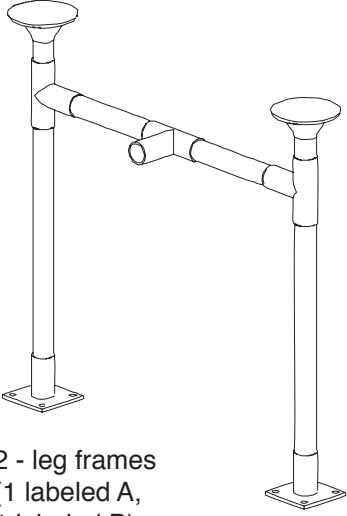
flat head screwdriver

## components



1 - tabletop  
(pulls pre-attached to inside of drawer)

1 - center support



2 - leg frames  
(1 labeled A,  
1 labeled B)

**1** With the assistance of another adult, position **tabletop** upside down onto a clean, padded surface. Attach **leg frame (A)** to **tabletop** with 8 **bolts**. Secure, but do not over tighten, bolts with an **allen wrench**.

**2** Fit **center support** into **leg frame (A)** as shown.

**3** Fit **leg frame (B)** into **center support**, and secure leg frame with 8 **bolts** as shown.

**4** With assistance of another adult, carefully position unit upright. Using a **flat head screwdriver**, unfasten **pulls** from inside drawers. Set hardware aside. Reattach each **pull** to **drawer fronts** with 2 **small bolts**. Assembly is now complete.

## cleaning and care

Do not leave spills unattended. Clean surfaces with a dry or damp soft cloth. Do not use abrasive cleaners. It is recommended to use coasters to protect surface from heat and water.