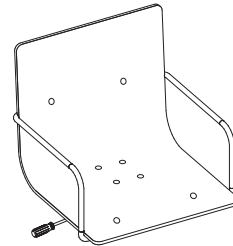


Thank you for purchasing the **Haze Office Chair**. This page lists all the contents included in the box. Please take the time to identify the hardware as well as the individual components to this product. As you unpack and prepare for assembly, place the contents on a carpeted or padded area to protect them from damage.

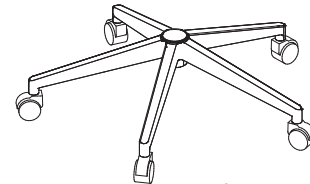
components



1 - seat assembly
(pre-assembled seat adjuster)



1 - gas lift



1 - leg assembly

assembly

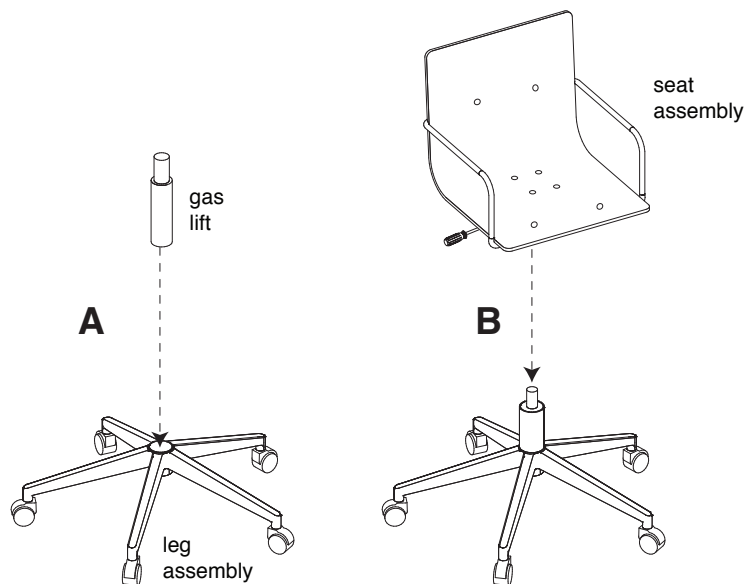
A. Insert **gas lift** into corresponding hole of **leg assembly** as shown.

B. Fit top of **gas lift** into corresponding hole on the bottom of the **seat assembly** as shown.

NOTE: Finalize assembly by sitting heavily on the chair a few times. This will secure all the component connections.

height adjustment:

While sitting in the chair, pull the level up to lower the seat. To raise the seat, take your weight off the chair and pull the lever up.



cleaning & care

Clean surfaces with a dry or damp soft cloth. Do not use abrasive cleaners.