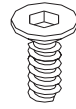


Thank you for purchasing the **Harvey Nightstand**. This page lists all the contents included in the box. Please take the time to identify the hardware as well as the individual components to this product. As you unpack and prepare for assembly, place the contents on a carpeted or padded area to protect them from damage.

hardware



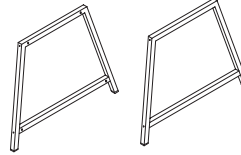
12 - bolts



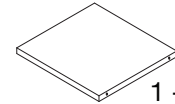
4 - adjustable feet

Missing hardware? Please call **800.606.6387** for replacements.

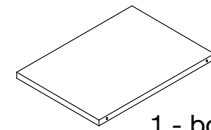
components



2 - leg frames
(1 left, 1 right)



1 - top shelf



1 - bottom shelf



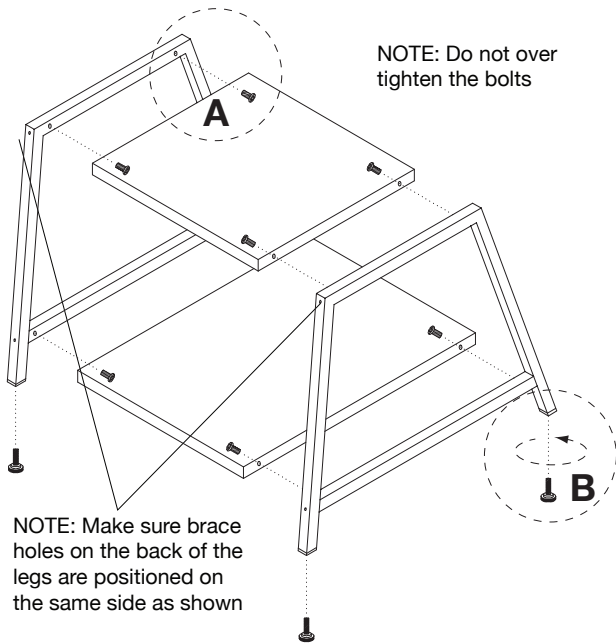
1 - brace

tools required

allen wrench (included)



(We recommend the use of hand tools instead of power tools)

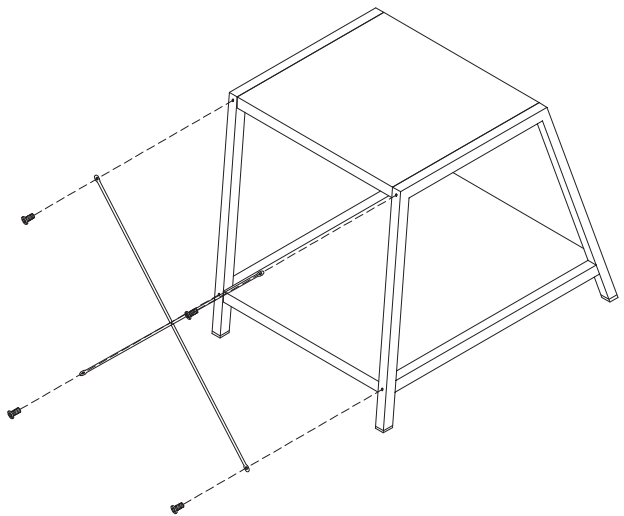


NOTE: Do not over tighten the bolts

NOTE: Make sure brace holes on the back of the legs are positioned on the same side as shown

1 A) Attach **top and bottom shelf** to **left leg frame** with **4 bolts** as shown. Secure, but do not over tighten, bolts with an allen wrench. Repeat steps for **right leg frame**.

B) Insert **4 adjustable feet** to the bottom of leg frames as shown.



Attach **brace** to back of assembly with **4 bolts** as shown.

2

Assembly is now complete.

CLEANING AND CARE

Clean surfaces with a dry or damp soft cloth. Do not use abrasive cleaners.