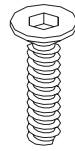


Thank you for purchasing the **Hancock Bookcase**. This page lists all the contents included in the box. Please take the time to identify the hardware as well as the individual components to this product. As you unpack and prepare for assembly, place the contents on a carpeted or padded area to protect them from damage.
 Note: 2 people are required to safely assemble this product.

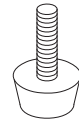
assembly hardware



6 - medium bolts



20 - small bolts



4 - feet

wall mounting hardware



2 - screws



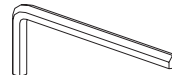
2 - plastic anchors



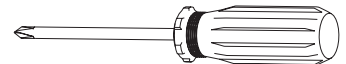
2 - wall strap

Missing hardware? Please call **800.606.6387** for replacements.

tools required

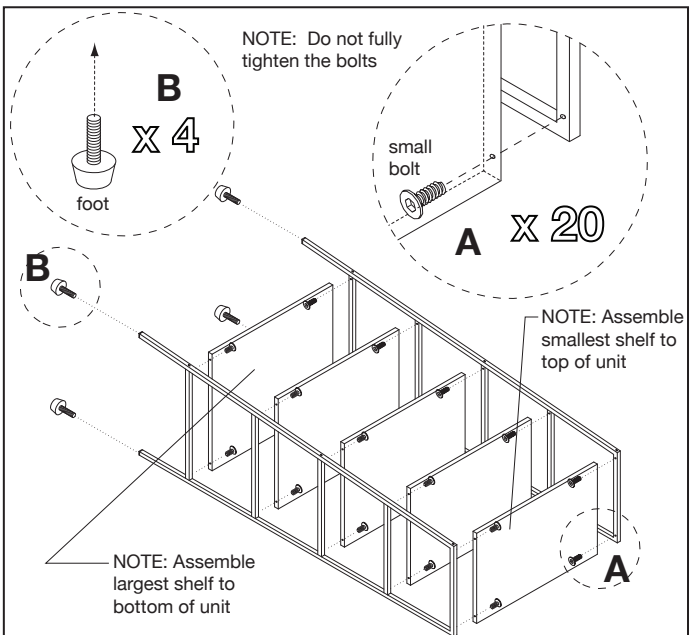
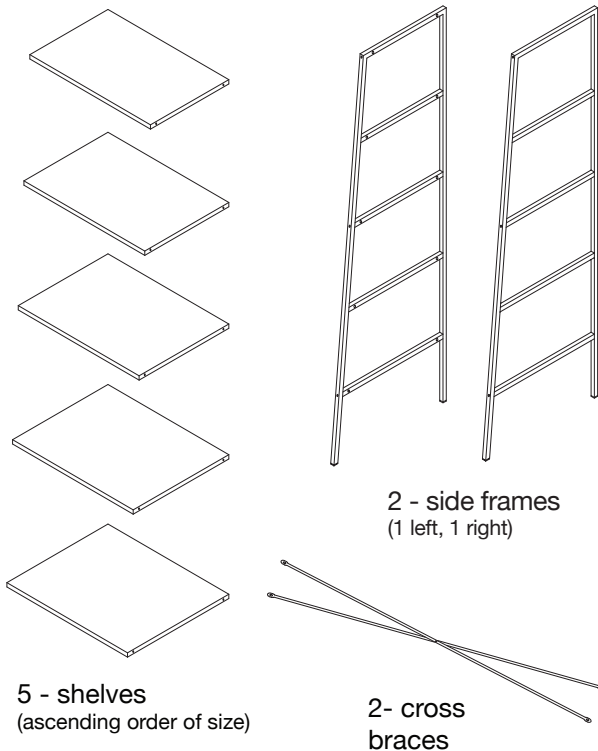


allen wrench (included)



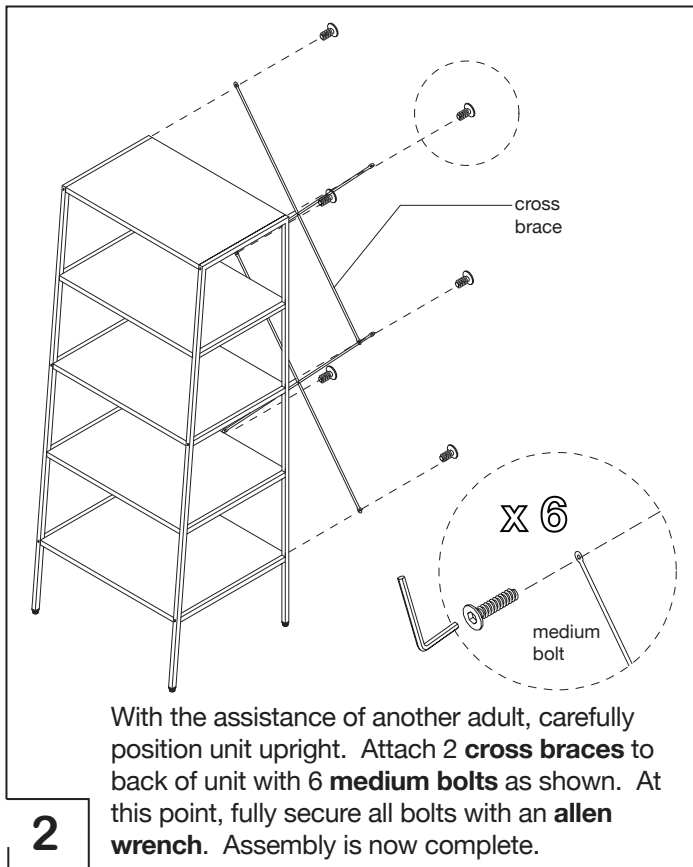
phillips head screwdriver

components



A) Attach **left and right side frames** to corresponding **shelves** with 4 **small bolts** per shelf. Assemble shelves in ascending order of size from bottom to top as shown. Do not fully tighten the bolts.

1 B) Insert 4 **feet** to bottom of side frames. Turn each foot clockwise to secure.

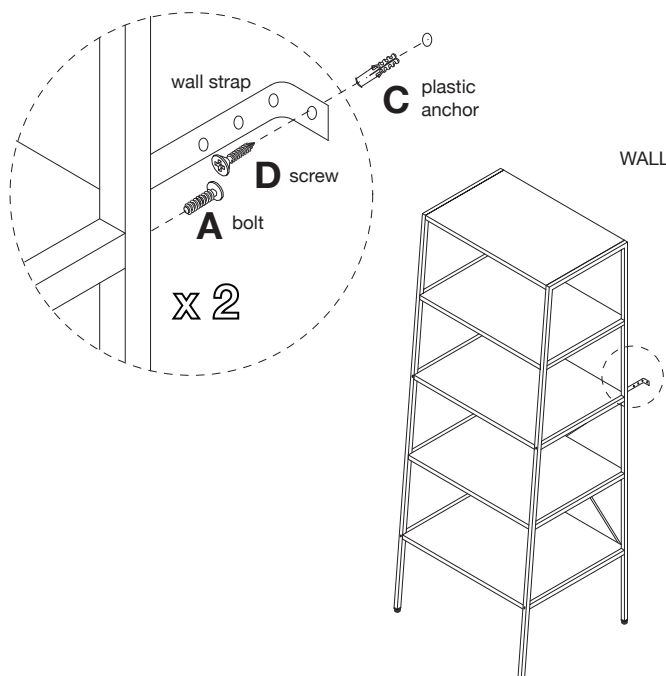


With the assistance of another adult, carefully position unit upright. Attach 2 **cross braces** to back of unit with 6 **medium bolts** as shown. At this point, fully secure all bolts with an **allen wrench**. Assembly is now complete.

cleaning & care

Clean surfaces with a dry or damp soft cloth. Do not use abrasive cleaners.

optional wall mounting



These instructions are for drywall mounting only.

For safe installation it is essential to use hardware appropriate for your wall type. Mount to wood wall studs whenever possible. If you are unsure of what type of fasteners to use, consult your local hardware store or a qualified professional. This product is only deterrent, it is not a substitute for proper adult supervision.

- A. With an allen wrench, remove 2 **medium bolts** from assembled unit as shown. At this point, attach 2 **wall straps** to assembled unit with 1 **medium bolt** per strap.
- B. With the assistance of another adult, place the unit in desired location against the wall. Mark the location of the hole in the bracket on the wall. Move the unit out of the workspace.
- C. Drill holes slightly smaller in diameter than the drywall anchors. Insert 1 **plastic anchor** into each hole until they are flush to the wall.
- D. Insert 1 **screw** through each wall strap and into the plastic anchor. Secure, but do not over tighten with a **phillips head screwdriver**.

Wall mounting is now complete.