

Thank you for purchasing the **Halogen Credenza**. This page lists all the contents included in the box. Please take the time to identify the hardware as well as the individual components to this product. As you unpack and prepare for assembly, place the contents on a carpeted or padded area to protect them from damage. Note: 2 people are required to safely assemble this product.

## hardware



6 - cams



12 - wood dowels



6 - cam screws



8 - shelf pins



6 - large screws



24 - small screws

Missing hardware?  
Please call **800.606.6387** for replacements.

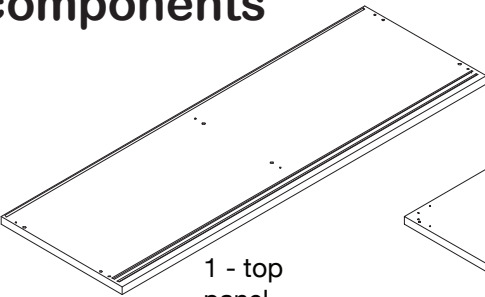
## tools required



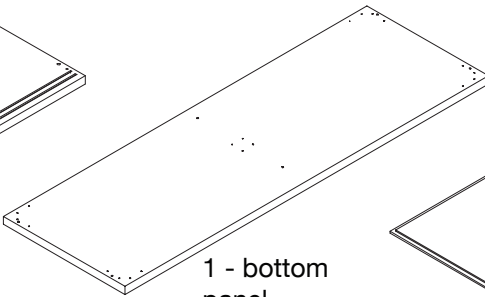
phillips head screwdriver

Note: We recommend the use of hand tools instead of power tools.

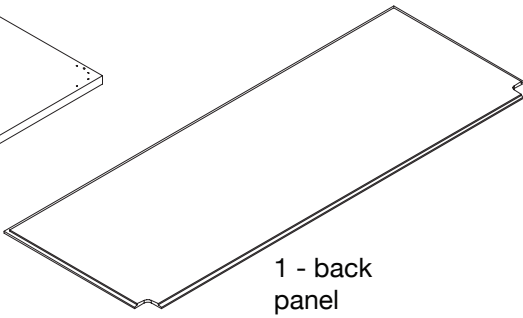
## components



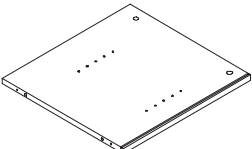
1 - top panel



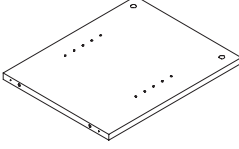
1 - bottom panel



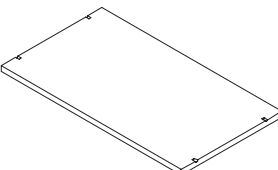
1 - back panel



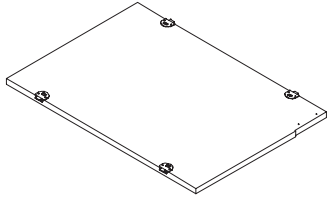
2 - side panels  
(1 left, 1 right)



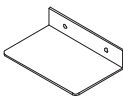
1 - center panel



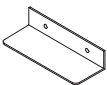
2 - adjustable shelves



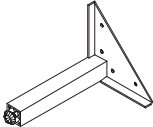
2 - door panels  
(1 left, 1 right)



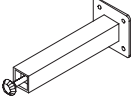
1 - right door handle



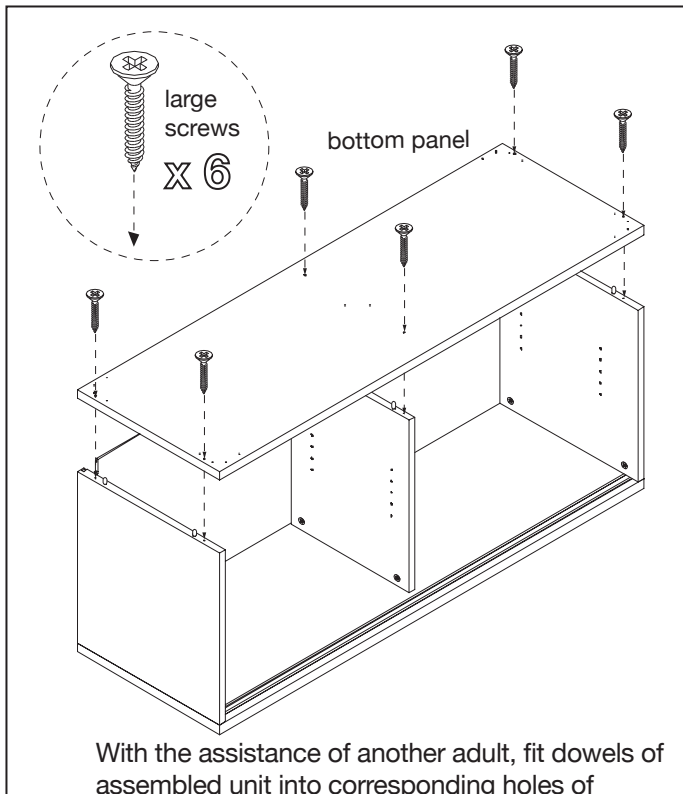
1 - left door handle



4 - legs

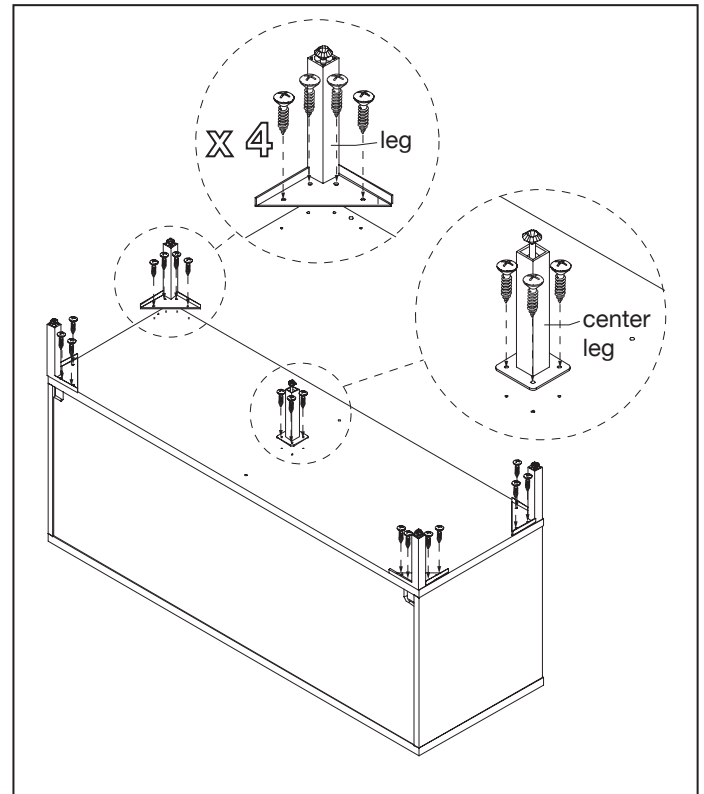


1 - center leg



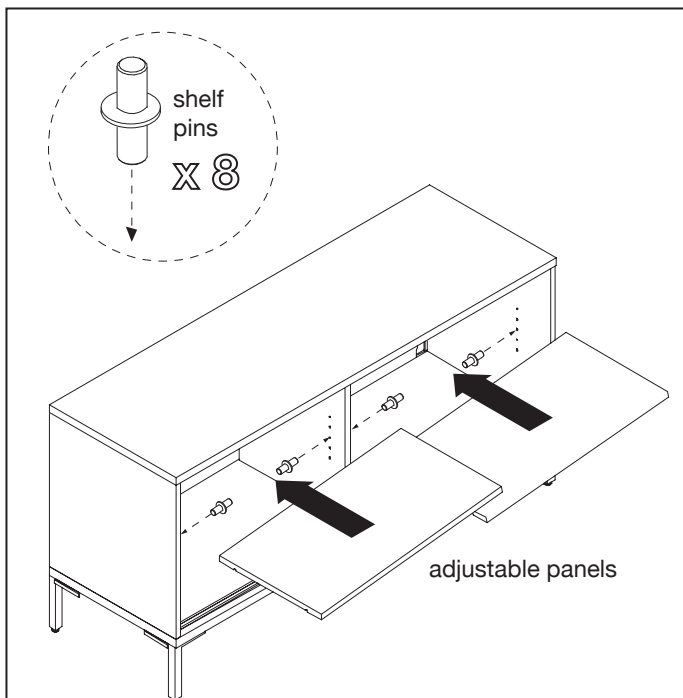
5

With the assistance of another adult, fit dowels of assembled unit into corresponding holes of **bottom panel** as shown. Attach bottom panel with **6 large screws** using a screwdriver.



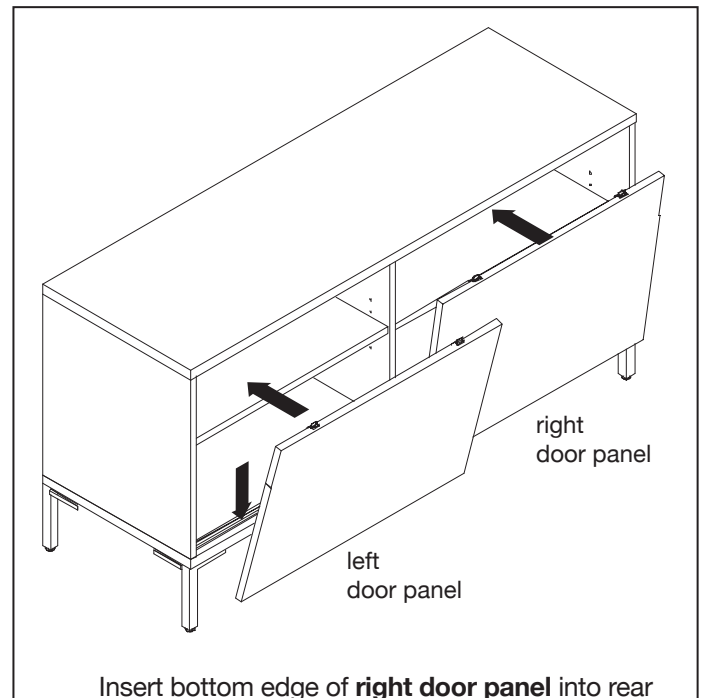
6

Attach each **leg** and **center leg** with **4 small screws** using a screwdriver as shown.



7

Insert **8 shelf pins** into holes at desired shelf height. Place **adjustable shelves** onto assembled unit. Make sure shelf is securely supported by shelf pins.



8

Insert bottom edge of **right door panel** into rear groove on **bottom panel** as shown. Tilt **door panel** up into a vertical position and hold both levers at top of door down. Align top of door with rear groove in underside of shelf and release levers. *Repeat for left door panel into front groove.*

cam screws  
X 6

top panel

NOTE: Do not over tighten cam screws

**1** Insert 6 **cam screws** into **top panel** as shown. Secure, but do not over tighten, using a **phillips head screwdriver**.

NOTE: Make sure arrows on each cam points towards nearest edge with holes

X 2  
left and right side panels

center panel

**2** A. Insert 2 **cams** and 4 **wood dowels** into **left and right side panels** and **center panel** as shown. Make sure arrows on each cam point toward nearest edge with holes as shown.

NOTE: Make sure unfinished edge of center panel is facing the back during assembly

right side panel

center panel

left side panel

top panel

NOTE: Make sure grooves on the side panels are on the same side as the top panel

**3** Fit dowels of **center, left and right side panels** into corresponding holes of **top panel** as shown. Make sure grooves on the side panels are on the same side as the top panel. With a screwdriver, turn each **cam** clockwise until it securely engages each cam screw.

back panel

NOTE: Make sure sticker on back panel is facing outwards during assembly

**4** With the assistance of another adult, slide **back panel** down into grooves of top and side panels as shown.

Attach **right** and **left door handles** with 2 **small screws** using a screwdriver as shown.

Assembly is now complete.

**cleaning & care**

Clean surfaces with a dry or damp soft cloth. Do not use abrasive cleaners. Do not use furniture wax or polish as the unit is finished with a protective clear lacquer. It is recommended to use coasters to protect surface from heat and water.

**9**