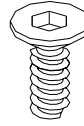


Thank you for purchasing the **Go Cart 3-Shelf Cart**. This page lists all the contents included in the box. Please take the time to identify the hardware as well as the individual components to this product. As you unpack and prepare for assembly, place the contents on a carpeted or padded area to protect them from damage.

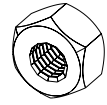
hardware



24 - bolts



4 - spring washers

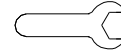


24 - hex nuts

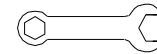
Missing hardware? Please call **800.606.6387** for replacements.

tool required

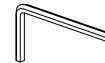
hex wrench (included)



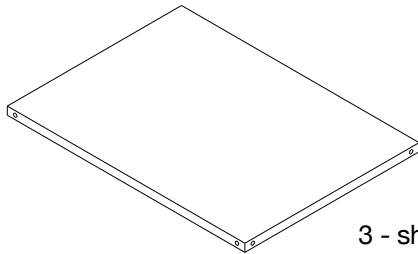
hex wrench (included)



allen wrench (included)



components



3 - shelves



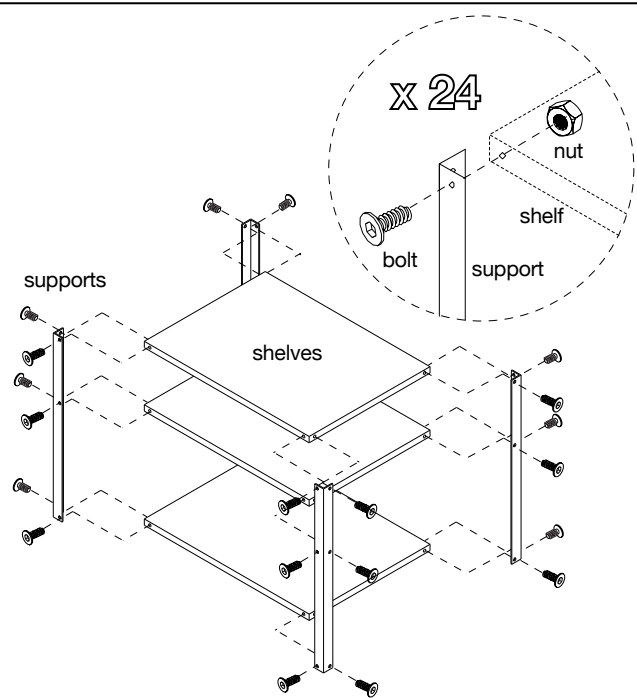
4 - supports



2 - locking wheels

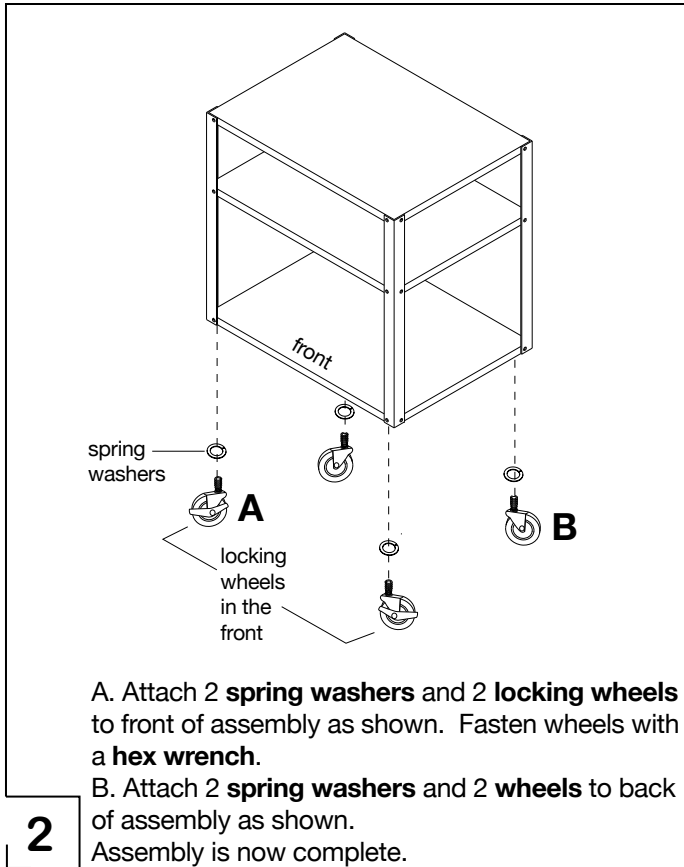


2 - wheels



1

Attach **3 shelves** to **4 supports** as shown with **24 bolts** and **24 hex nuts**. Secure bolts with an **allen wrench**. Secure nuts with a **hex wrench**.



CLEANING AND CARE

Dust with a soft dry cloth. Do not leave spills unattended. Protect from heat and liquids.