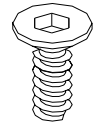




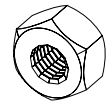
## hardware



14 - bolts



4 - large spring washers



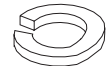
14 - hex nuts



2 - locking wheels



2 - wheels



14 - small spring washers

Missing hardware?  
Please call **800.606.6387** for replacements.

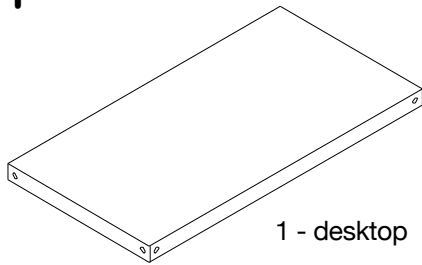
## tool required

wheel hex wrench (included)

hex wrench (included)

allen wrench (included)

## components



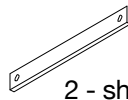
1 - front left support



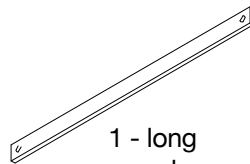
1 - front right support



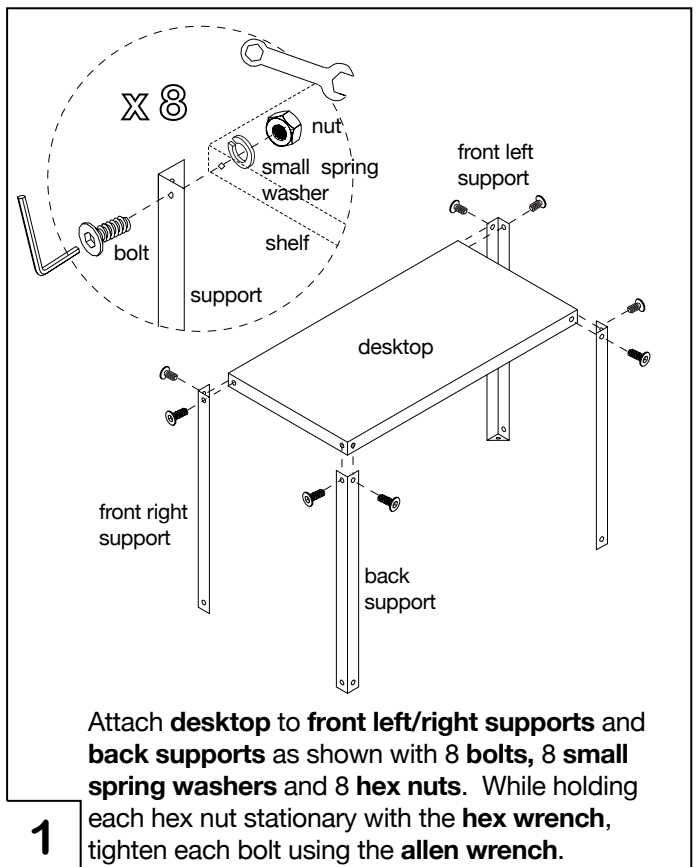
2 - back supports

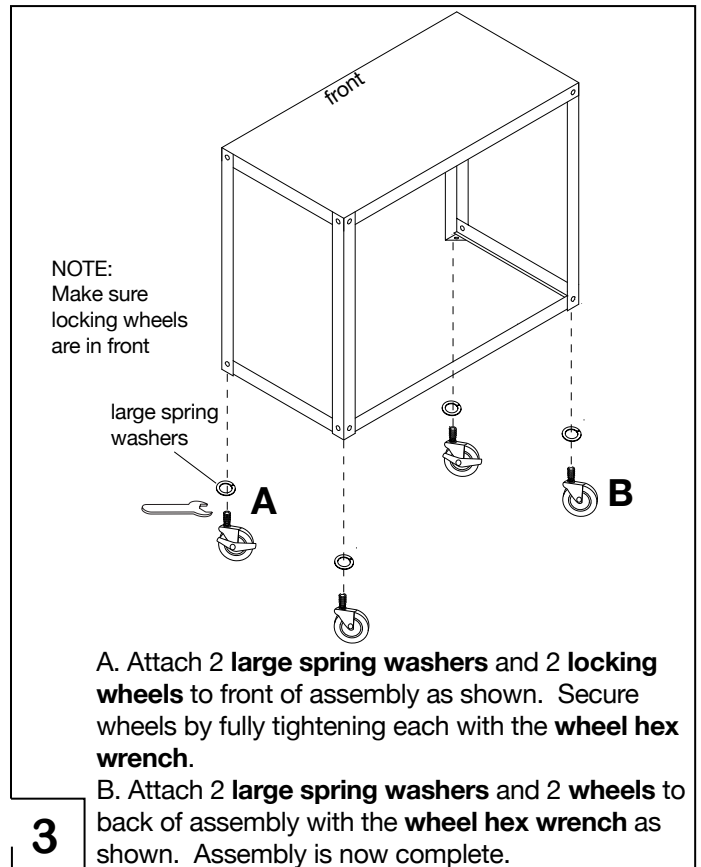
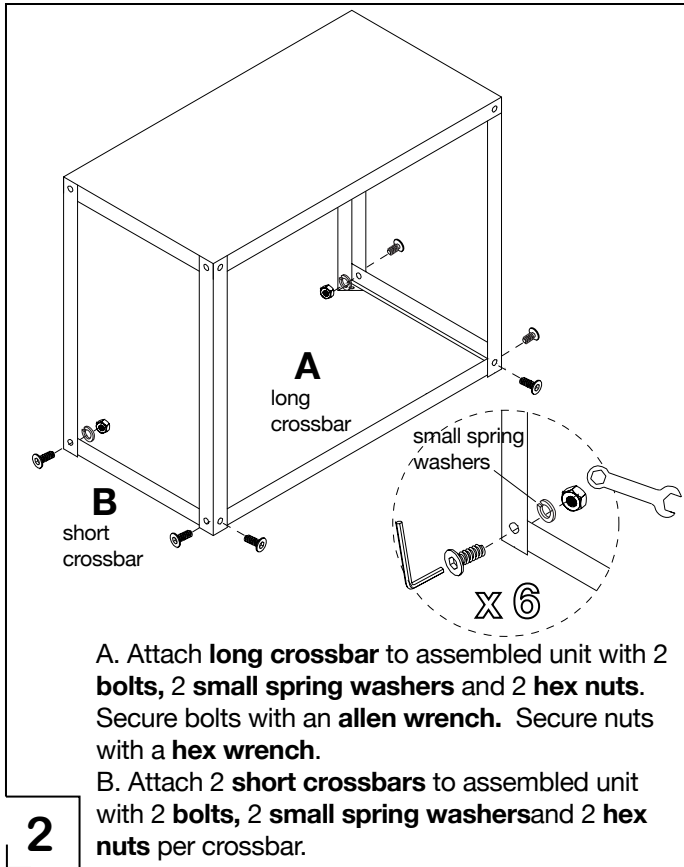


2 - short crossbars



1 - long crossbar





**CLEANING AND CARE**

Clean surfaces with a dry or damp soft cloth. Do not use abrasive cleaners.