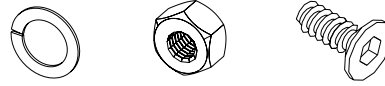


Thank you for purchasing the **Go Cart Coffee Table/Media Console**. This page lists all the contents included in the box. Please take the time to identify the hardware as well as the individual components to this product. As you unpack and prepare for assembly, place the contents on a carpeted or padded area to protect them from damage.

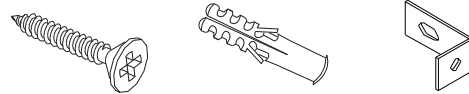
Note: 2 people are required to safely assemble this product.

hardware



4 - spring washers 16 - hex nuts 16 - bolts

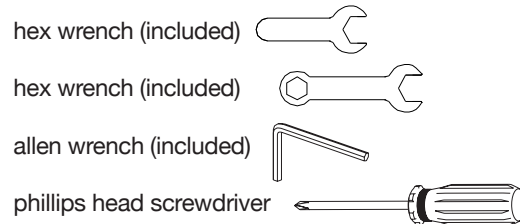
wall mounting hardware



2 - screws 2 - plastic anchors 2 - brackets

Missing hardware? Please call **800.606.6387** for replacements.

tool required



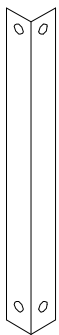
hex wrench (included)

hex wrench (included)

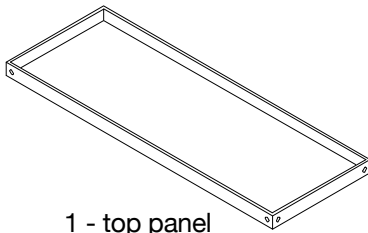
allen wrench (included)

phillips head screwdriver

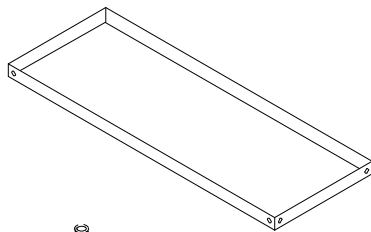
components



4 - supports



1 - top panel



1 - bottom panel

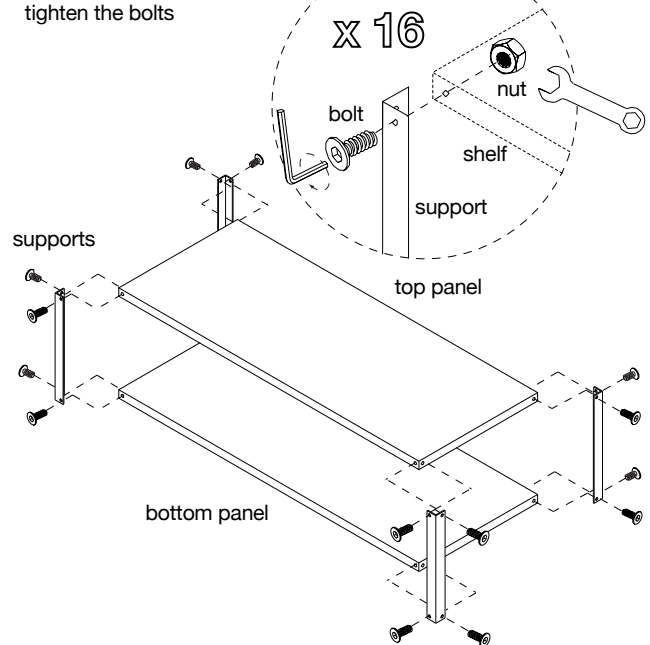


2 - locking wheels



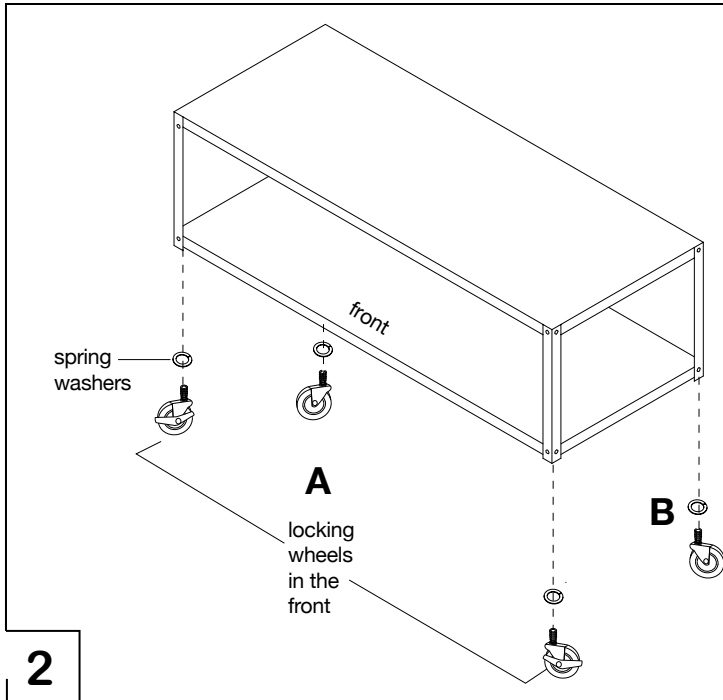
2 - wheels

NOTE: Do not over tighten the bolts



Attach **top and bottom panels** to 4 **supports** as shown with 16 **bolts** and 16 **hex nuts**. Holding the nuts with the **hex wrench**, secure bolts with an **allen wrench**.

1



A. Attach 2 **spring washers** and 2 **locking wheels** to front of assembly as shown. Fasten wheels with a **hex wrench**.

B. Attach 2 **spring washers** and 2 **wheels** to back of assembly as shown.

Assembly is now complete.

cleaning and care

Dust with a soft dry cloth. Do not leave spills unattended. Protect from heat and liquids.

wall attachment instructions

NOTE: When properly installed, this wall bracket may provide protection from unexpected tipping of shelf due to bumping or shaking. To avoid injury due to these instances, use of wall brackets are recommended.

Although basic wall mounting hardware is included, be sure the use the proper hardware for your wall type. When in doubt, please consult your local hardware store.

A. With the assistance of another adult, place the unit in desired location against the wall. Mark the location of the hole in the **bracket** of the wall. Move the unit out of the workspace.

B. Drill holes slightly smaller in diameter than the **plastic anchors**. Insert the **plastic anchor** into the holes until they are flush to the wall.

C. Attach 1 **bracket** to each **plastic anchor** with 1 **screw**. Secure, but do not over tighten, screw with a **phillips head screwdriver**.

D. Remove 2 **bolts** and 2 **nuts** from unit. Position unit in between 2 **brackets** on the wall. Secure 2 **brackets** to unit with 2 **bolts** and 2 **nuts** as shown.

Wall mounting installation is now complete.

