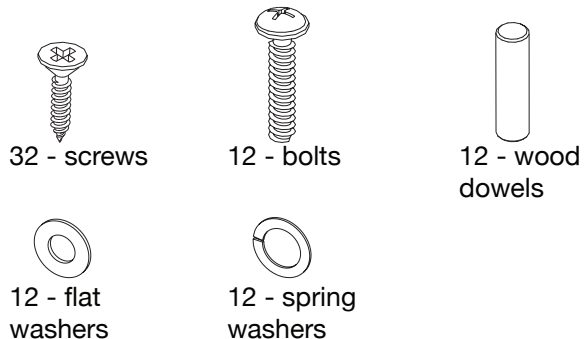


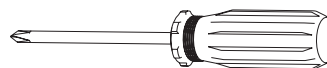
Thank you for purchasing the **Gloss Low Dresser**. This page lists all the contents included in the box. Please take the time to identify the hardware as well as the individual components to this product. As you unpack and prepare for assembly, place the contents on a carpeted or padded area to protect them from damage. Note: 2 people are required to safely assemble this product.

assembly hardware



Missing hardware?
Please call **800.606.6387** for replacements.

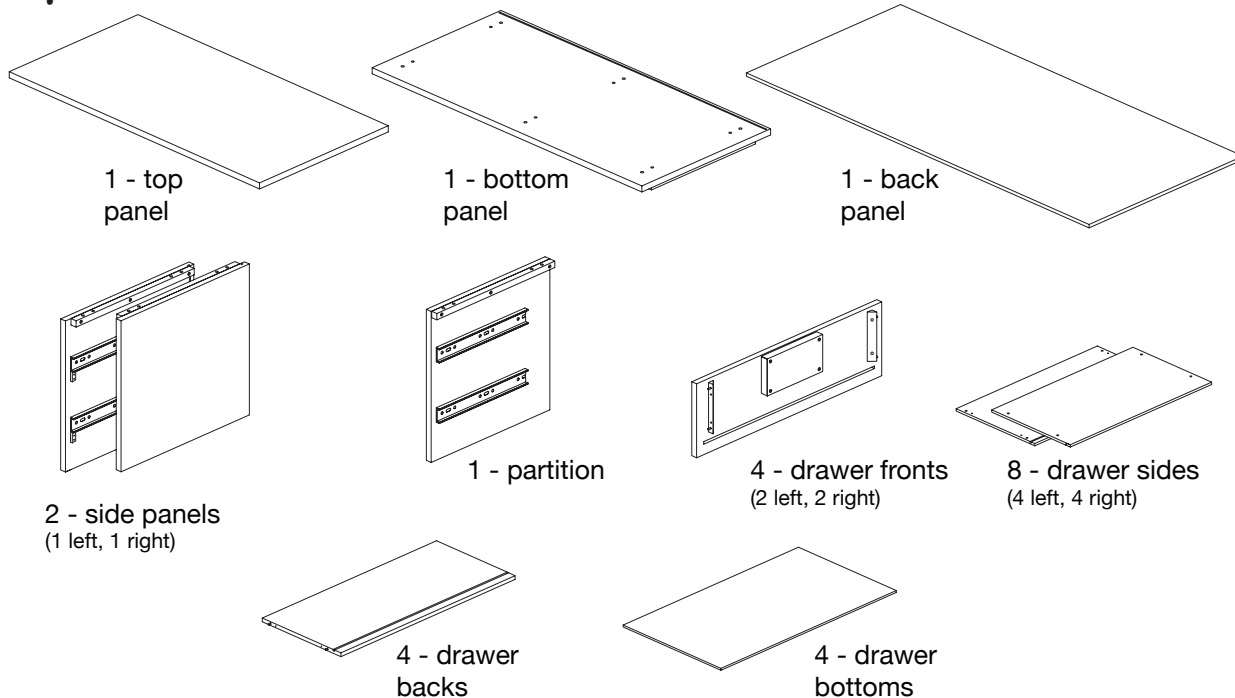
tools required



Phillips head screwdriver

(We recommend the use of hand tools instead of power tools)

components



cleaning & care

Clean surfaces with a dry or damp soft cloth. Do not use abrasive cleaners. Do not use furniture wax or polish as the unit is finished with a protective clear lacquer.

NOTE: Do not over tighten bolts

NOTE: Make sure grooves of left and right side panels are facing each other during assembly as shown

X 6

left side panel

bottom panel

partition

right side panel

1

Insert 6 **wood dowels** into **bottom panel** as shown. Fit dowels of bottom panel into corresponding holes of **partition** and **left/right panels**. Secure partition and left/right side panels with 2 **bolts**, 2 **spring washers** and 2 **flat washers**.

back panel

2

With assistance of another adult, position unit upright. Fit **back panel** into corresponding grooves of side panels as shown.

top panel

A X 6

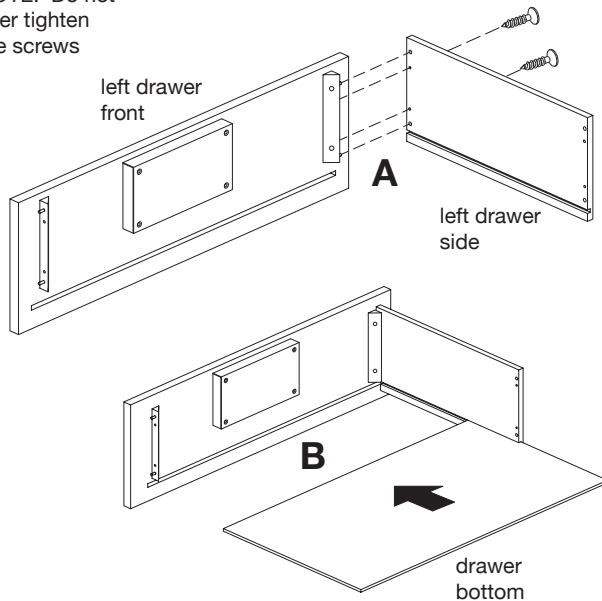
B X 6

3

A. Insert 2 **wood dowels** into **left and right side panels** as shown.

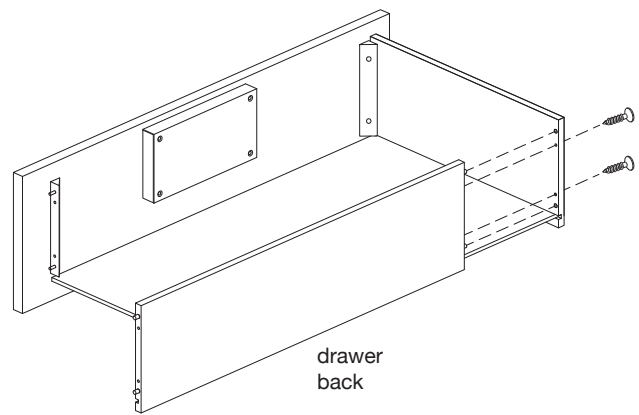
B. Fit dowels of partition and left/right side panels into corresponding holes of **top panel**. Secure **partition** and **left/right side panels** with 2 **bolts**, 2 **spring washers** and 2 **flat washers**.

NOTE: Do not over tighten the screws



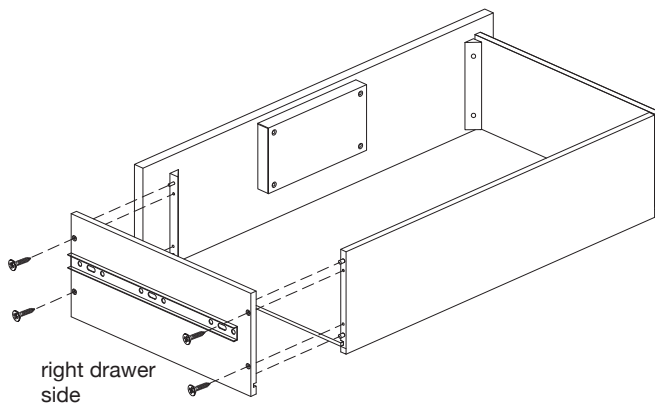
A. Attach **left drawer side** to **left drawer front** with 2 **screws** as shown. Secure, but do not over tighten, screws with a screwdriver.
 B. Insert **drawer bottom** into grooves of drawer side and front as shown.

4



Attach **drawer back** to **left side drawer** with 2 **screws** as shown.

5

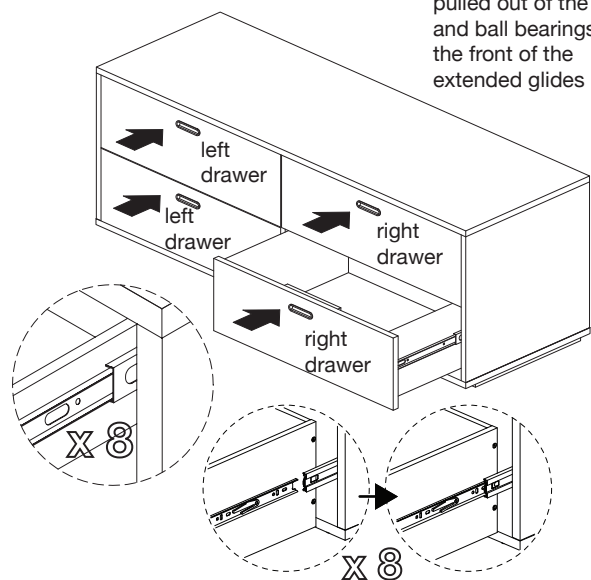


Attach **right drawer side** to **left drawer front and back** with 4 **screws** as shown.

Repeat assembly steps 4-6 for remaining **left and right drawers**.

6

NOTE: Make sure glides are pulled out of the case, and ball bearings are at the front of the extended glides



With assistance of another adult, align drawer glides of each *drawer* with corresponding drawer glides of assembly as shown. Firmly push *drawer* into assembly until the glides are securely engaged.
 Assembly is now complete.

7