

Thank you for purchasing the **Geometry Table Set of 3**. This page lists all the contents included in the box. Please take the time to identify the hardware as well as the individual components to this product. As you unpack and prepare for assembly, place the contents on a carpeted or padded area to protect them from damage.

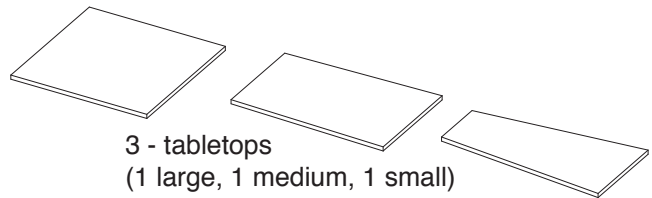
hardware



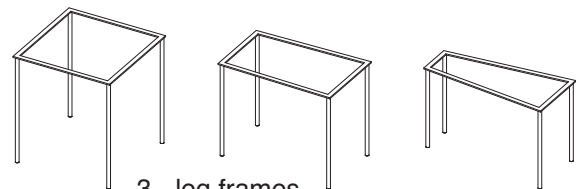
12 - bumpers

Missing hardware?
Please call **800.606.6387** for replacements.

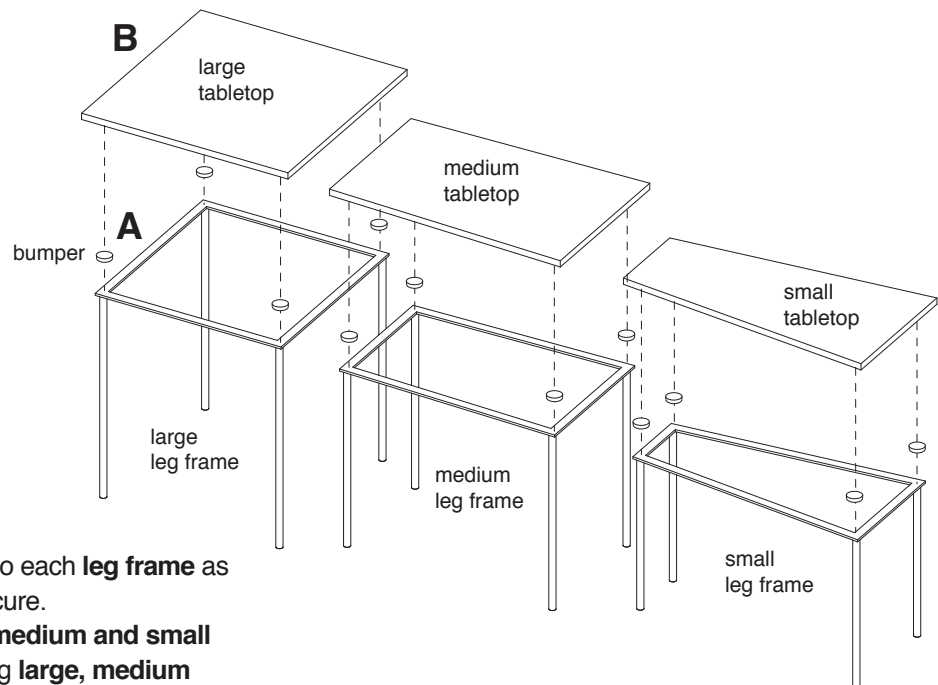
components



3 - tabletops
(1 large, 1 medium, 1 small)



3 - leg frames
(1 large, 1 medium, 1 small)



A. Adhere 4 **bumpers** onto each **leg frame** as shown. Press firmly to secure.

B. Carefully place **large, medium and small tabletops** to corresponding **large, medium and small leg frames**.

1 Assembly is now complete.

cleaning and care Clean surfaces with a dry or damp soft cloth. Do not use abrasive cleaners.