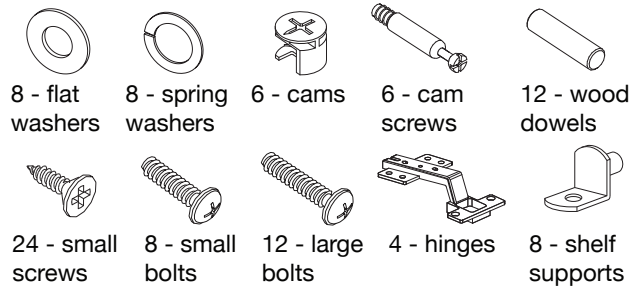
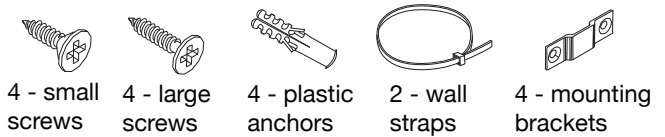


assembly hardware



mounting hardware



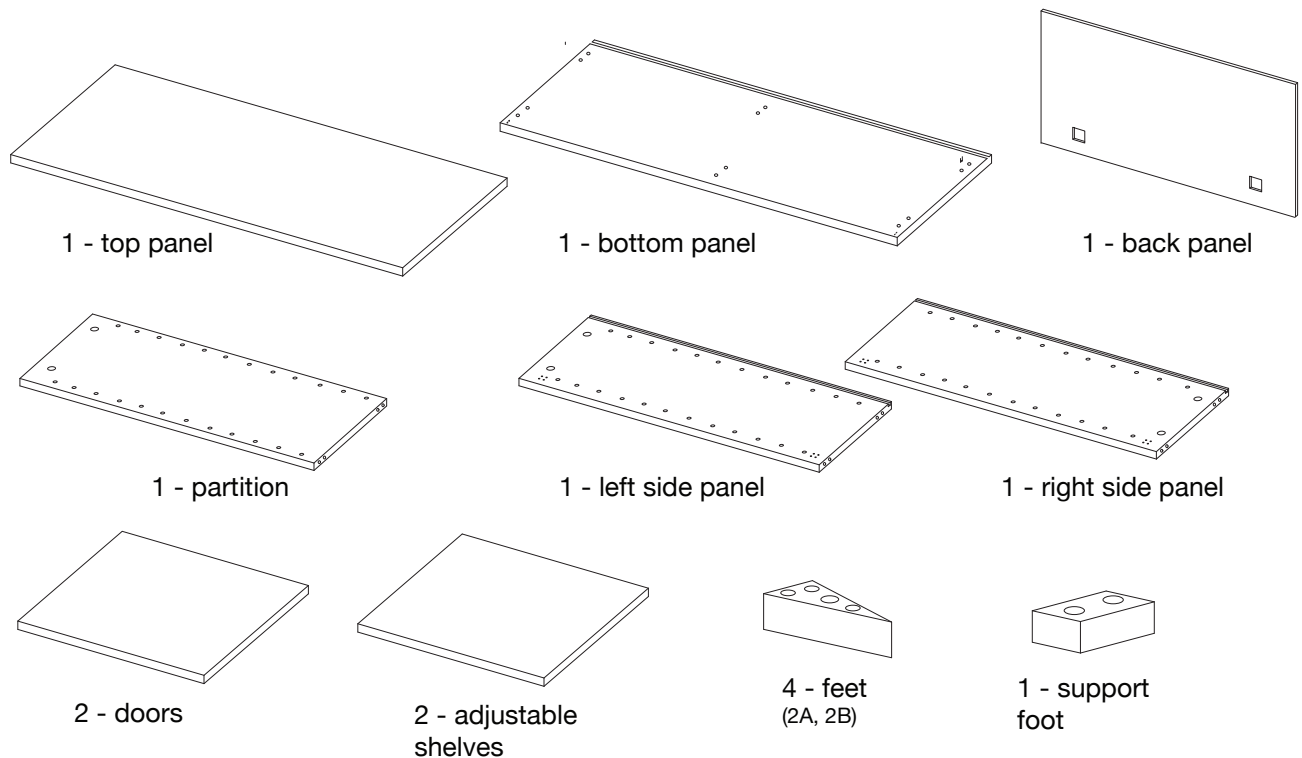
Missing hardware? Please call **800.606.6387** for replacements.

tools required



(We recommend the use of hand tools instead of power tools)

components



NOTE: Make sure arrows on each cam points toward nearest edge with holes

A left and right side panels x 2

B partition

1 A. Insert 4 **wood dowels** and 2 **cams** into **left and right side panels** as shown. Make sure arrows on each **cam** points toward nearest edge with holes.

B. Insert 4 **wood dowels** and 2 **cams** into **partition** as shown.

NOTE: Do not over tighten the cam screws

top panel

2 Insert 6 **cam screws** into **top panel** as shown. Secure, but do not over tighten, screws using a **Phillips head screwdriver**.

NOTE: Make sure grooves of side and top panels are assembled on the same side

NOTE: Make sure arrow label on partition points toward the front during assembly

right side panel

partition

left side panel

top panel

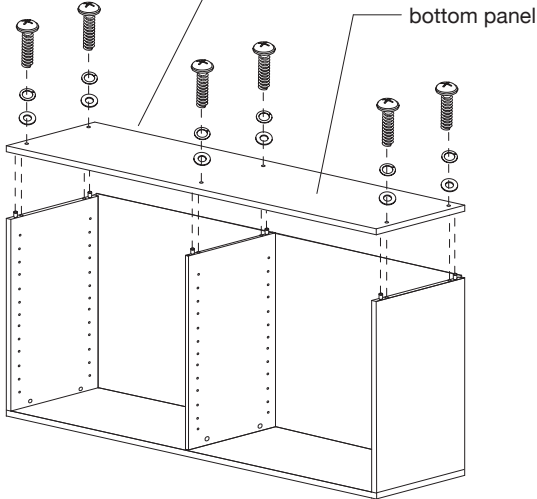
3 Fit dowels of **left/right side panels** and **partition** into corresponding holes of **top panel** as shown. Using a screwdriver, turn each **cam** clockwise until it securely engages each cam screw.

back panel

4 Slide **back panel** into corresponding grooves of **left/right side panel** and **top panel** as shown.

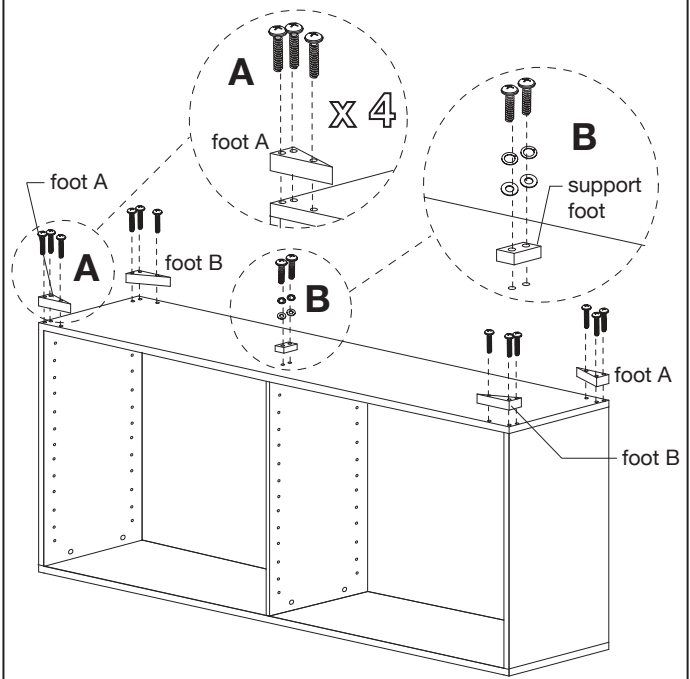
NOTE: Make sure groove of bottom panel is assembled towards back panel

NOTE: Do not over tighten the bolts



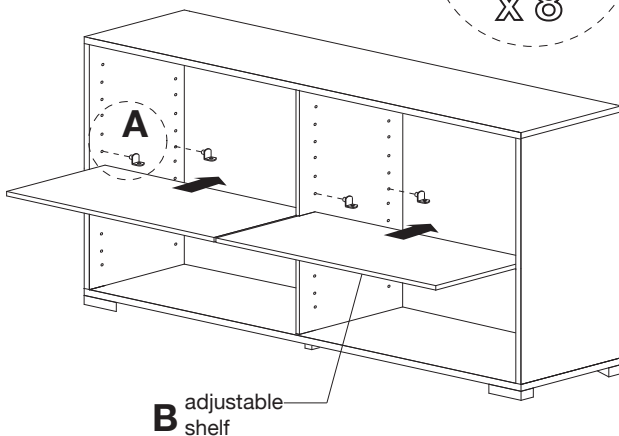
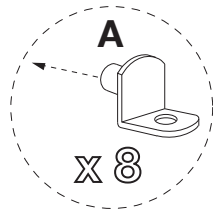
Fit dowels of **left/right side panels** and **partition** into corresponding holes of **bottom panel**. Secure **bottom panel** to **left/right side panels** and **partition** with 6 **small bolts**, 6 **spring washers** and 6 **flat washers**, using a **Phillips head screwdriver**. Do not over tighten the bolts.

5



A. Attach 4 **feet (2A, 2B)** to **bottom panel** with 3 **large bolts** per foot as shown, using a screwdriver.
B. Attach 1 **support foot** to **bottom panel** with 2 **small bolts**, 2 **spring washers** and 2 **flat washers**.

6

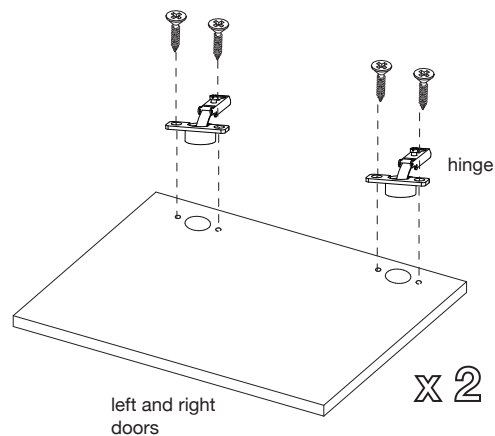


A. With the assistance of another adult, position unit upright as shown. Insert 8 **shelf supports** at desired shelf heights.

B. Place 2 **adjustable shelves** into assembled unit. Make sure shelves are securely supported by each shelf support.

7

NOTE: Do not over tighten the screws



Fit 2 **hinges** into corresponding holes of 2 **left and right doors** as shown. Secure each hinge with 2 **small screws**, using a screwdriver.

8

left door front

right door front

A

B

X 4

9

A. Attach hinges of **left and right door to left and right side panels** as shown. Secure each hinge with **4 small screws**.

B. Secure the set screws with a screwdriver as shown. Refer to *Hinge Adjustment* diagram for adjusting the alignment of the door hinges. Assembly is now complete.

cleaning & care

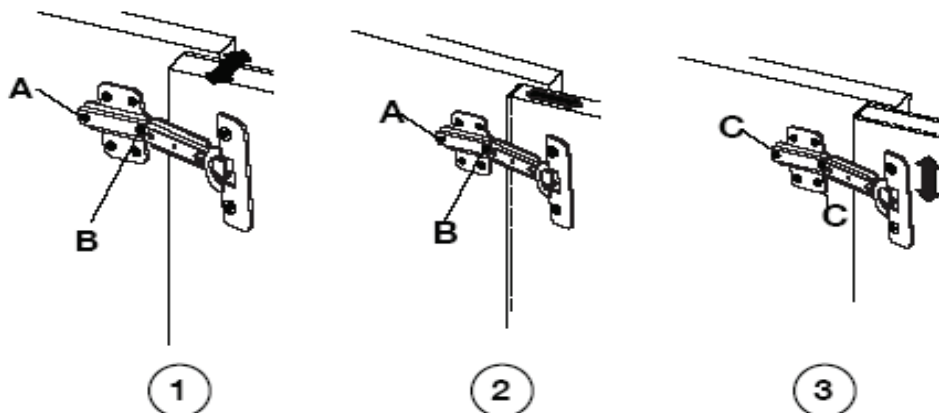
Clean surfaces with a dry or damp soft cloth. Do not use abrasive cleaners. Do not use furniture wax or polish as the unit is finished with a protective clear lacquer. It is recommended to use coasters to protect surface from heat and water.

weight limitations

This credenza is rated to support 50 lbs, evenly distributed.

hinge adjustment

If the doors do not appear square or aligned, loosen or tighten the appropriate screws on each case hinge as illustrated.

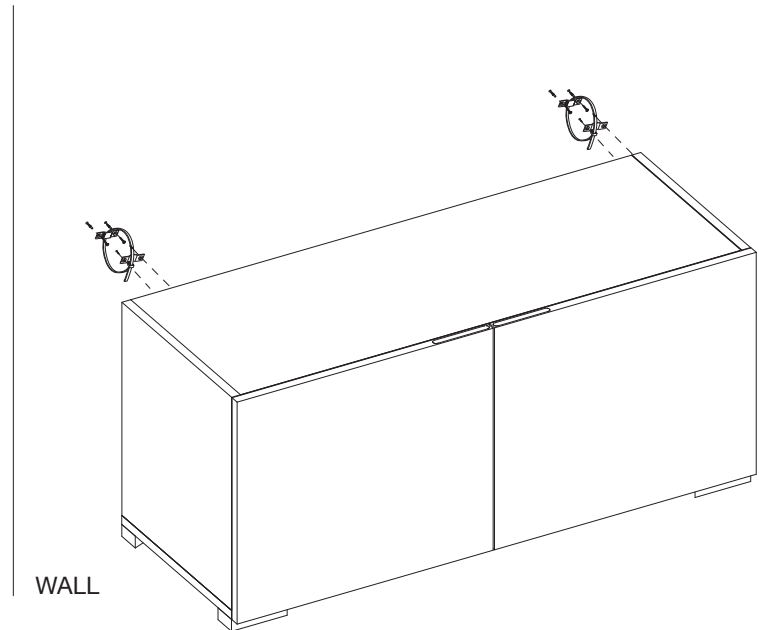
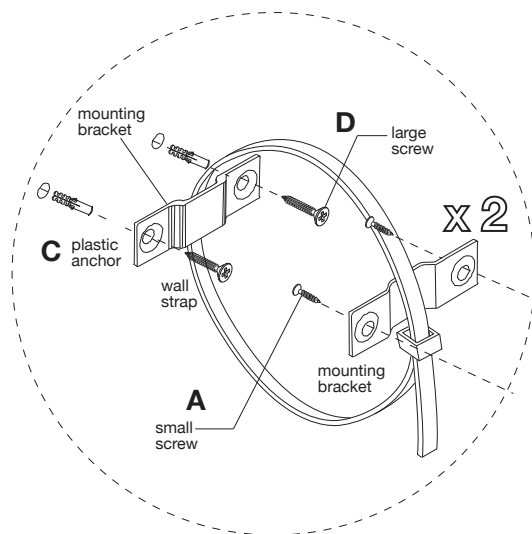


1) **Side to side adjustment:** Loosen screw **A**, adjust gap with screw **B** and re-tighten screw **A**.

2) **Depth adjustment:** Loosen screw **A**, push hinge arm forwards or backwards, re-tighten screw **A** and secure screw **B** with a 1/4 turn clockwise.

3) **Height adjustment:** Loosen screw **C**, adjust door height and re-tighten screw **C**.

wall mounting assembly



NOTE:

If you are unsure about your wall type or what mounting method you should use, consult a qualified professional or your local hardware store.

For added safety and stability, it is recommended that the wall mounting hardware be installed. For safe mounting, it is essential to use wall anchors appropriate to your wall type (i.e. plaster, drywall, concrete, etc.). Mount to wood studs whenever possible.

A) Attach **mounting bracket** to top of unit using 2 **small screws**.

B) Determine the final location of unit. Mark position on the wall, approximately 2" below the mounting bracket mounted to the back of the unit.

C) Drill a hole in the wall stud. If the wall stud is not available, drill a hole in the wall that is slightly smaller in diameter than the anchor. Gently tap the **plastic anchor** until the flange of the anchor is flush with the wall.

D) Attach the **mounting bracket** to the wall by inserting 2 **large screws** through the mounting bracket and into the wall anchor in the wall.

E) Place the unit so the mounting bracket on the back edge is allowed with the wall bracket.

F) Lace one end of the **wall strap** through both brackets, and into the other end of the strap.

G) Pull the strap tightly until secure.

Repeat step A-G for remaining wall mounting assembly.

Wall mounting assembly is now complete.