

Thank you for purchasing the **Fresca Console**. This page lists all the contents included in the box. Please take the time to identify the hardware as well as the individual components to this product. As you unpack and prepare for assembly, place the contents on a carpeted or padded area to protect them from damage. NOTE: 2 people are required to safely assemble this product.

hardware



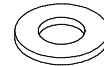
6 - wood dowels



4 - long bolts



4 - spring washers



4 - flat washers

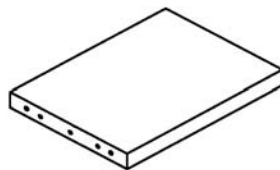
Missing hardware?
Please call **800.606.6387** for replacements.

tools required

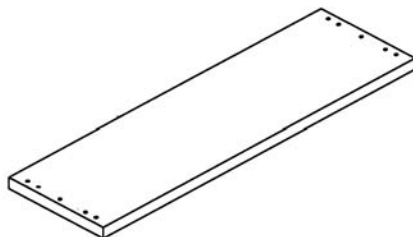
allen wrench (included)



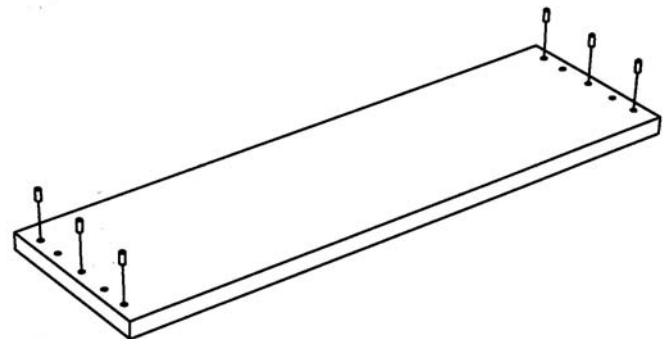
components



2 - side panels

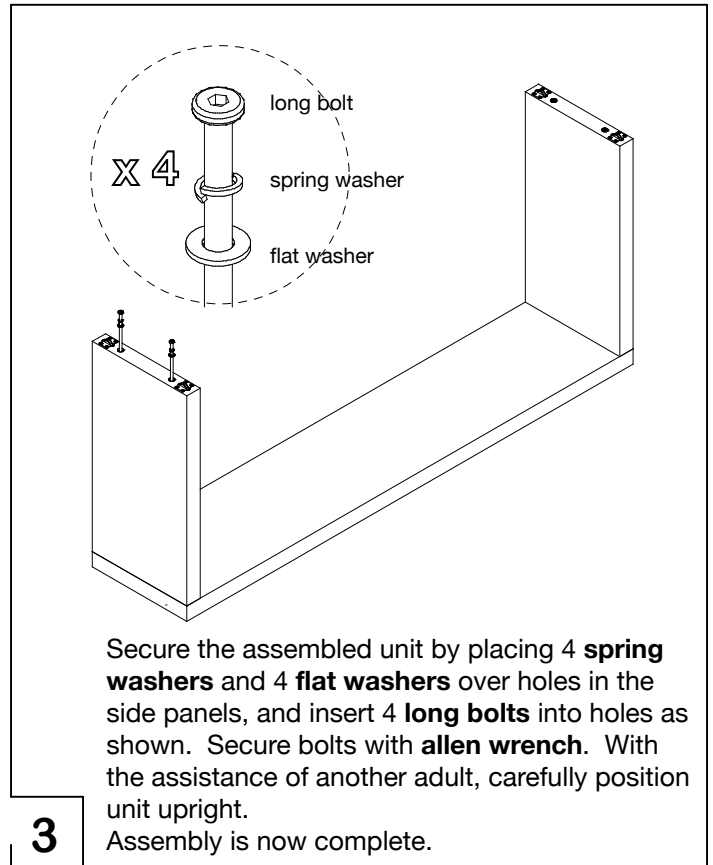
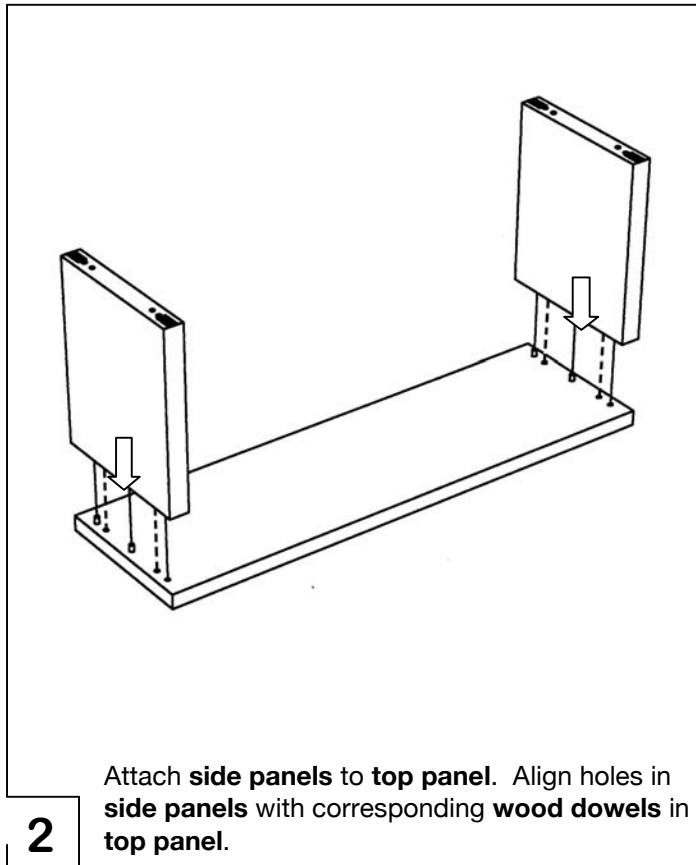


1 - top panel



Carefully place **top panel** upside down on a protected surface so that the screw holes are facing upward. Insert and slightly tap 6 **wood dowels** in the pre-drilled holes as illustrated.

1



cleaning & care

Wipe up spots and spills immediately. Dust with soft dry cloth. Do not use abrasive cleaners. Do not use furniture wax or polish as the unit is finished with a protective clear lacquer.