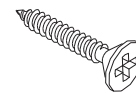


Thank you for purchasing the **Format Towel Rack**. This page lists all the contents included in the box. Please take the time to identify the hardware as well as the individual components to this product. As you unpack and prepare for assembly, place the contents on a carpeted or padded area to protect them from damage. Note: 2 people are recommended to safely install this product.

## hardware

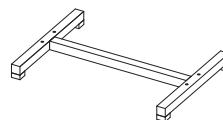


4 - screws

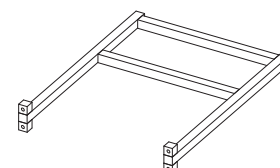
Missing hardware?

Please call **800.606.6387** for replacements.

## components

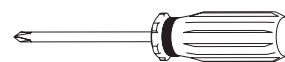


1 - leg frame



1 - towel rack assembly

## tools required

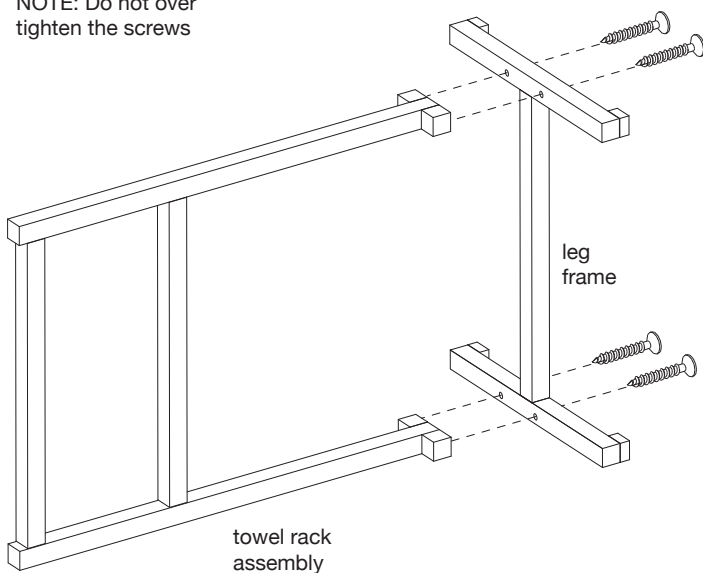


Phillips head screwdriver

(We recommend the use of hand tools instead of power tools)

## assembly

NOTE: Do not over tighten the screws



Place **towel rack assembly** and **leg frame** onto a clean, padded surface. Attach **towel rack assembly** to **leg frame** with 4 **screws** as shown. Secure, but do not over tighten, screws using a **Phillips head screwdriver**. Position unit upright.

Assembly is now complete.

## cleaning & care

Clean surfaces with a dry or damp soft cloth. Do not use abrasive cleaners.

1