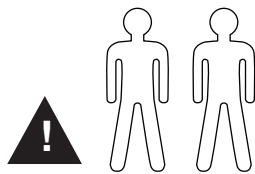
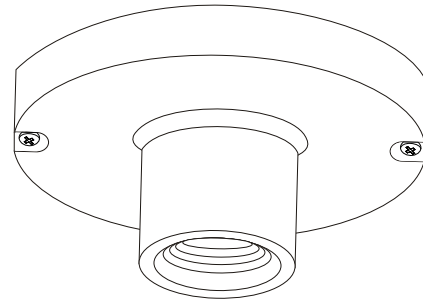


This page lists the contents included in the box. Please take time to identify the hardware as well as the individual components of the product. As you unpack and prepare for assembly, place the contents on a carpeted or padded area to protect them from damage. Please follow the assembly instructions closely. Improper assembly can result in personal or property damage.

**IMPORTANT SAFETY INSTRUCTIONS:**  
If you are unsure about your ceiling type or what mounting method you should use, consult a qualified professional or your local hardware store.

We recommend installation of this lamp be performed by a licensed electrician.



## hardware & components



3 - wire nuts



2 - wall anchors



2 - screws

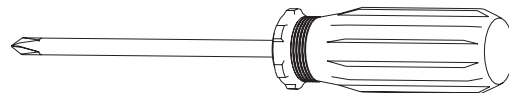


1 - 13 watt max CFL bulb (NOT INCLUDED)  
OR  
1 - 60 watt max type A standard bulb (NOT INCLUDED)

## tools required



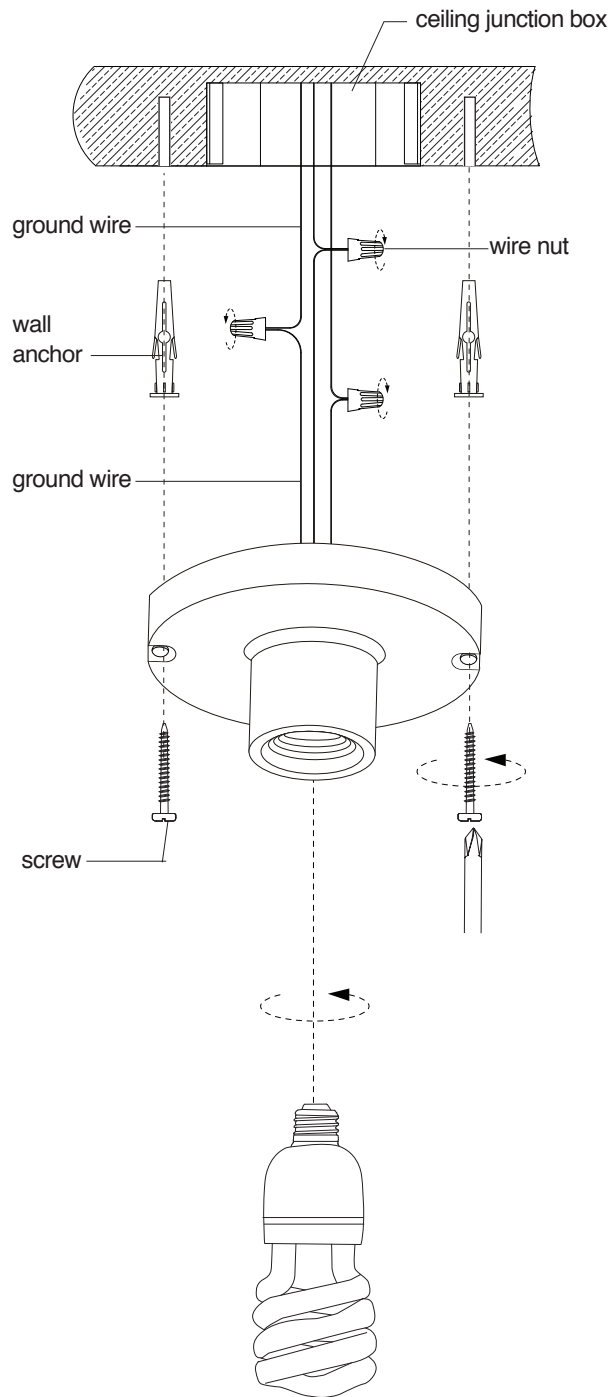
electrical tape



Phillips head screwdriver

## cleaning & care

Dust surfaces with a dry soft cloth. Do not use cleaners or polishes on the lamp.



## assembly

- 1) Shut off the main electrical supply from the main fuse box/circuit breaker.
  - 2) Carefully unpack all fixture parts and hardware. Lay items out on a clear workspace.
  - 3) Place fixture in position over junction box and mark hole locations. Drill a hole at each location slightly smaller in diameter than the wall anchor.
  - 4) Insert 1 **wall anchor** into each hole and gently tap until the head of the anchor until it is flush to the ceiling.
  - 5) Gently pull wiring down from ceiling junction box and allow it to hang.
  - 6) Carefully inspect the lamp fixture's wires:
    - *Neutral fixture wire = white*
    - *Hot fixture wire = black*
    - *Ground wire = green*
  - 7) Attach *ground wire* of lamp assembly to *ground wire* of junction box (usually green). Fasten each together with a **wire nut** and wrap the connection with **electrical tape**.
  - 8) Attach the *neutral fixture wire* from the lamp to the *neutral junction box wire* (usually white). Fasten each together with a **wire nut** and wrap the connection with **electrical tape**.
  - 9) Attach the *hot fixture wire* from the lamp to the *hot junction box wire* (usually black). Fasten each together with a **wire nut** and wrap the connection with **electrical tape**.
- DO NOT REVERSE THE HOT AND NEUTRAL CONNECTIONS OR SAFETY WILL BE COMPROMISED.**
- 10) Gently tuck the wire connections neatly into the ceiling junction box.
  - 11) Align holes in lamp with wall anchors and attach with 2 **screws**. Secure screws with a **phillips head screwdriver**.
  - 12) Insert 1 **bulb** (not included) into the socket. **DO NOT EXCEED SPECIFIED WATTAGE.**
  - 13) Restore power to junction box and test fixture.

Installation is now complete.