

Thank you for purchasing the **Fleet Chair**. This page lists all the contents included in the box. Please take time to identify the hardware as well as the individual components of this product. As you unpack and prepare for assembly, place the contents on a carpeted or padded area to protect them from damage.

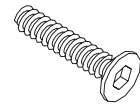
hardware



4 - small bolts



4 - medium bolts



4 - large bolts

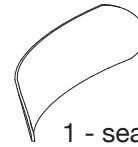
Missing hardware?

Please call **800.606.6387** for replacements.

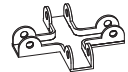
components



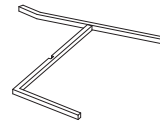
1 - seat



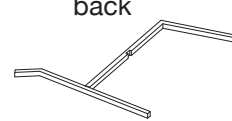
1 - seat back



1 - connector

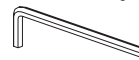


1 - bottom leg frame



1 - top leg frame

tools required

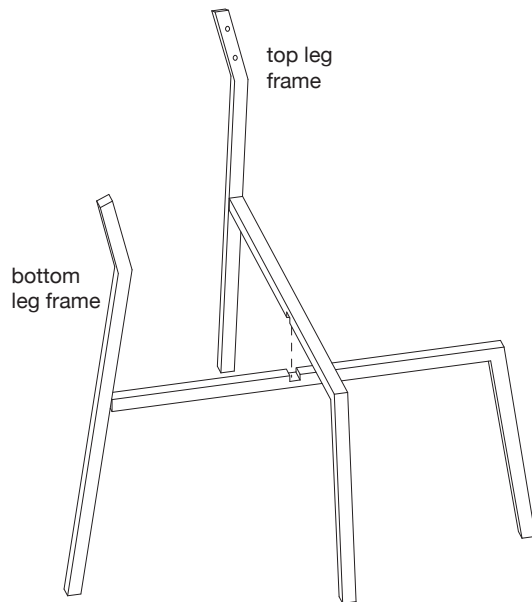


small allen wrench (included)



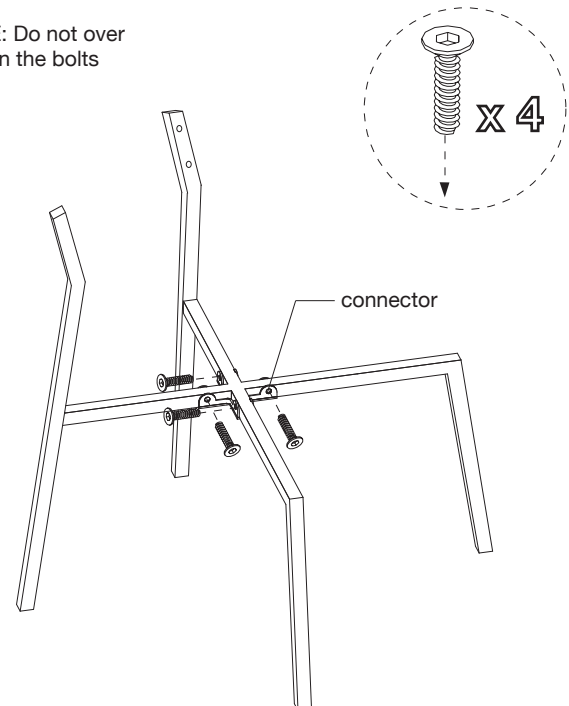
large allen wrench (included)

assembly

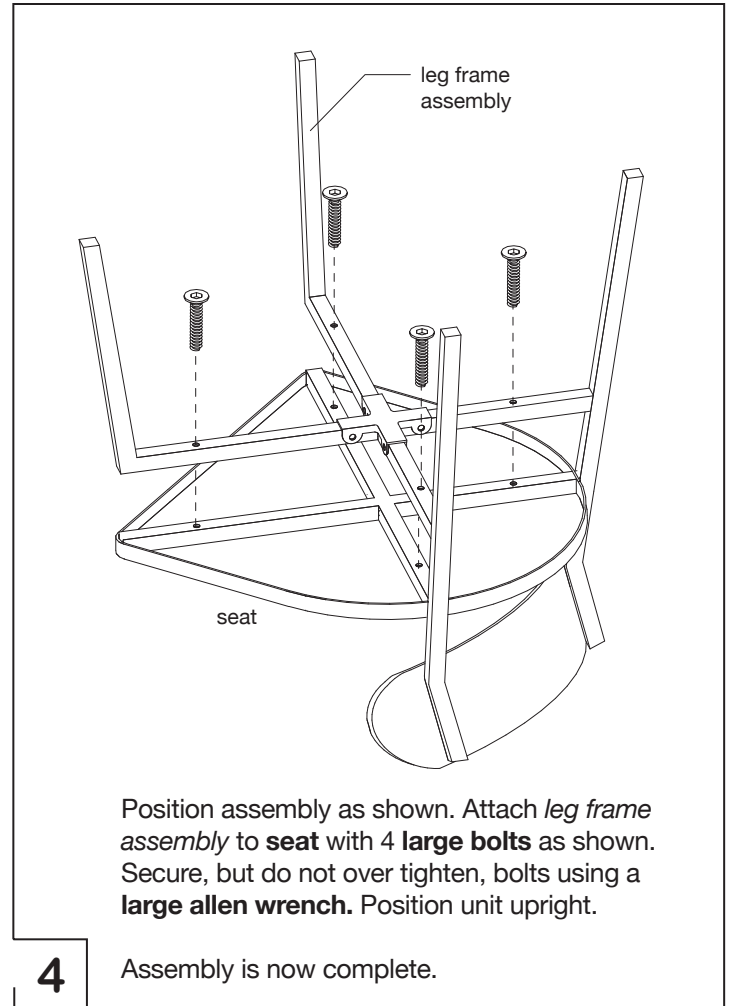
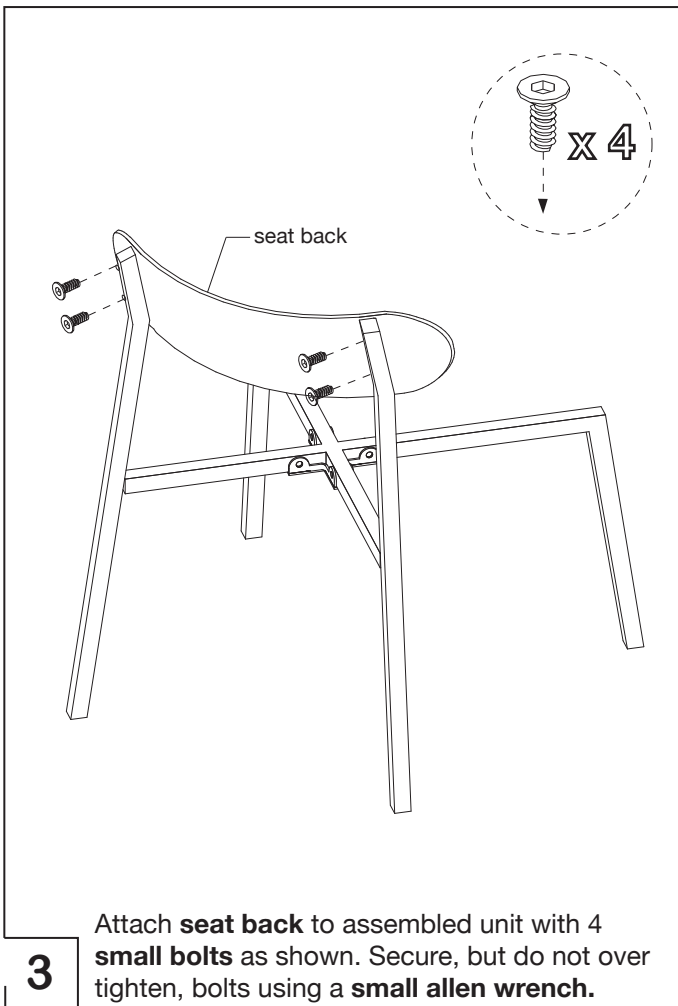


1 Fit notch of **top leg frame** into notch of **bottom leg frame** as shown.

NOTE: Do not over tighten the bolts



2 Loosely attach **connector** to **top and bottom leg frame** with 4 **medium bolts** as shown, using a **large allen wrench**. Do not fully tighten bolts.



cleaning and care

Clean surfaces with a dry or damp soft cloth. Do not use abrasive cleaners. Do not use furniture wax or polish as the unit is finished with a protective clear lacquer. Re-tighten bolts as necessary.