

Thank you for purchasing the **F2 Square Outdoor Table**. This page lists all the contents included in the box. Please take the time to identify the hardware as well as the individual components to this product. As you unpack and prepare for assembly, place the contents on a carpeted or padded area to protect them from damage. Note: 2 people are recommended to safely assemble this product.

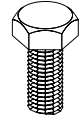
hardware



12 - hex nuts



12 - washers



12 - hex bolts

Missing hardware?
Please call **800.606.6387** for replacements.

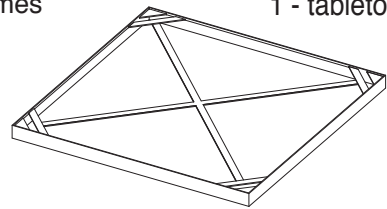
tools required

2- hex wrench (included) 

components

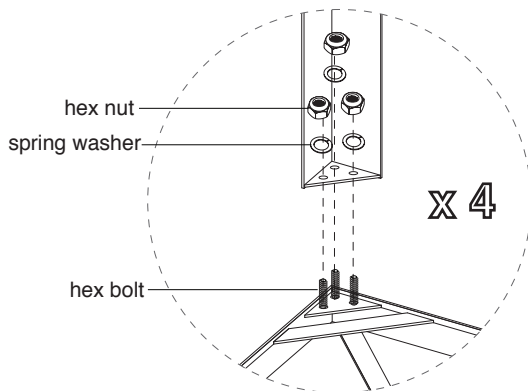


4 - leg frames



1 - tabletop

Position **tabletop** upside down onto a clean, padded surface as shown. Attach each **leg** to **tabletop** with 3 **hex nuts**, 3 **washers** and 3 **hex bolts** as shown. Secure nuts by turning the **hex wrench** while holding bolts with the **hex wrench**. Position table upright. Assembly is complete.



cleaning & care

Clean surfaces with a dry soft cloth. Do not use abrasive cleaners. Placemats and coasters must be used to protect from scratches, heat and water. Recommend table to be kept under a protective cover when not in use to protect from inclement weather.

