

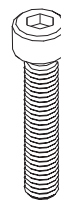
Thank you for purchasing the **Ember Coffee Table**. This page lists all the contents included in the box. Please take the time to identify the hardware as well as the individual components to this product. As you unpack and prepare for assembly, place the contents on a carpeted or padded area to protect them from damage.

Note: 2 people are recommended to safely assemble this product.

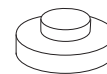
hardware



6 - small bolts



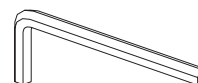
4 - large bolts



4 - rubber feet

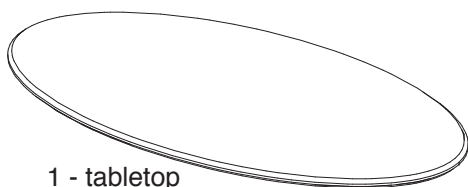
Missing hardware? Please call **800.606.6387** for replacements.

tools required

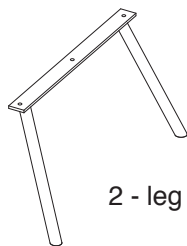


allen wrench (included)

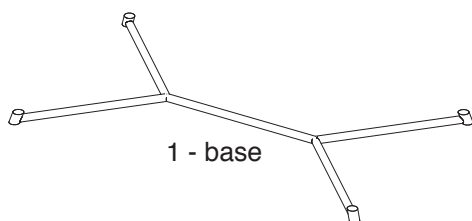
components



1 - tabletop

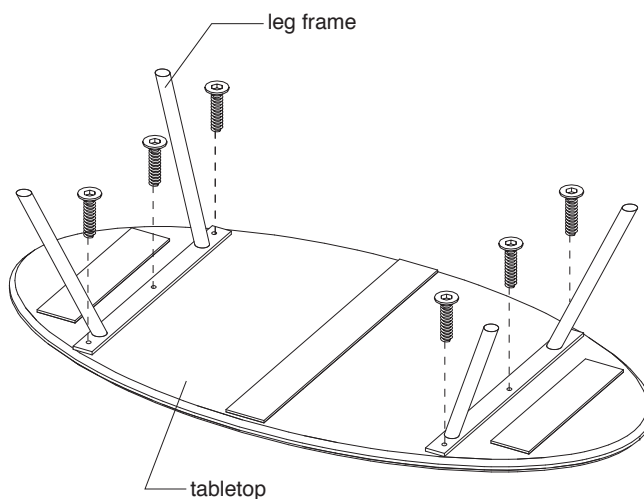


2 - leg frames



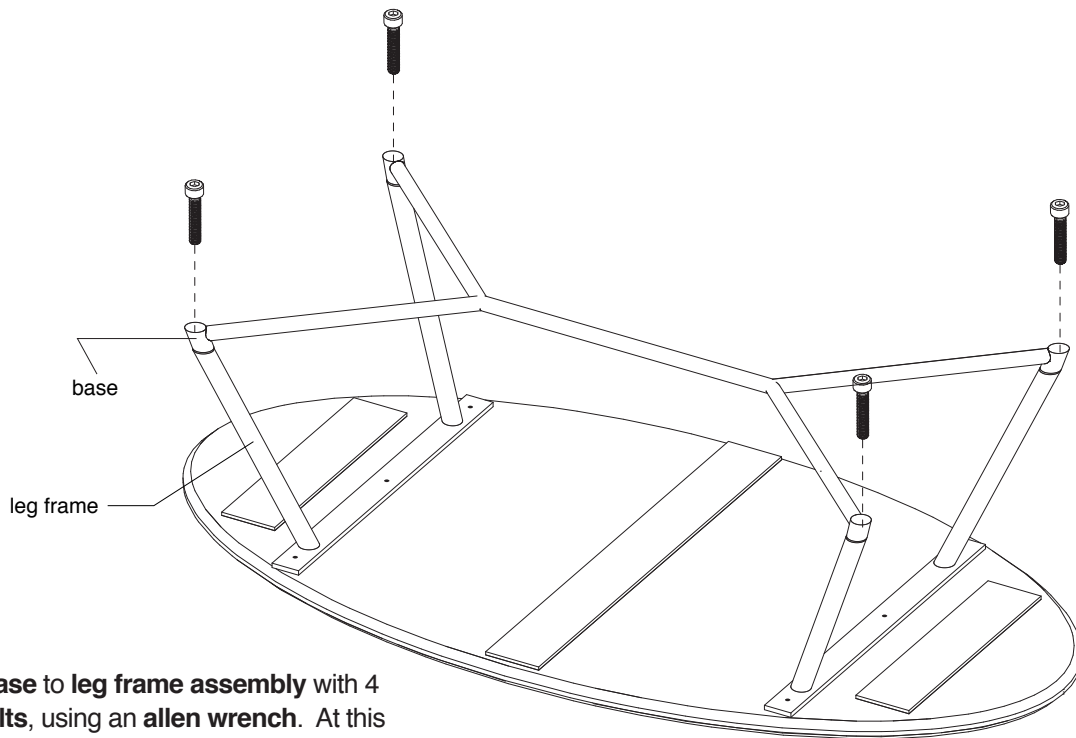
1 - base

NOTE: Do not fully tighten the bolts



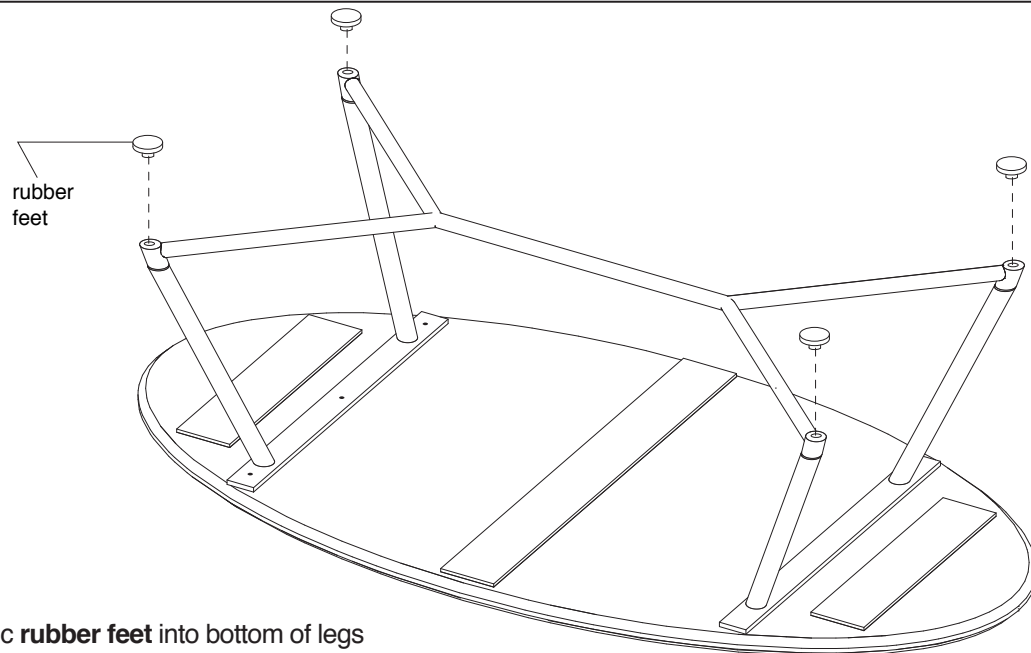
With assistance of another adult, carefully place **tabletop** upside down onto a clean, padded surface. Attach 2 **leg frames** to **tabletop** as shown with 6 **small bolts**. Secure, but do not fully tighten, bolts with an **allen wrench**.

1



2

Attach **base to leg frame assembly** with 4 **large bolts**, using an allen wrench. At this point, fully tighten all bolts.



3

Fit 4 magnetic **rubber feet** into bottom of legs as shown. Assembly is now complete.

cleaning and care

Do not leave spills unattended. Clean surfaces with a dry or damp soft cloth. Do not use abrasive cleaners. It is recommended to use coasters to protect surface from heat and water.