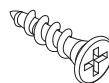


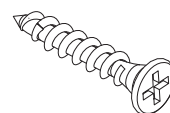
Thank you for purchasing the **Elston Stacking Shelf**. This page lists all the contents included in the box. Please take the time to identify the hardware as well as the individual components to this product. As you unpack and prepare for assembly, place the contents on a carpeted or padded area to protect them from damage.

Note: 2 people are recommended to safely install this product.

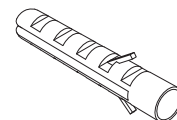
hardware



9 - small screws



1 - large screw



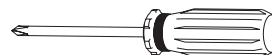
1 - plastic anchor



1 - wall strap

Missing hardware?
Please call **800.606.6387** for replacements.

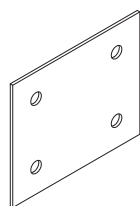
tools required



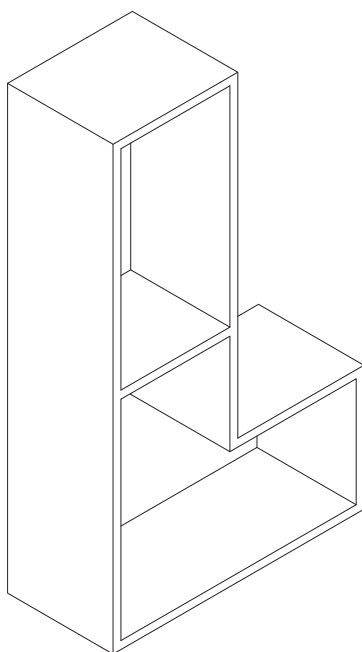
phillips head screwdriver

(We recommend the use of hand tools instead of power tools)

components



2 - brackets



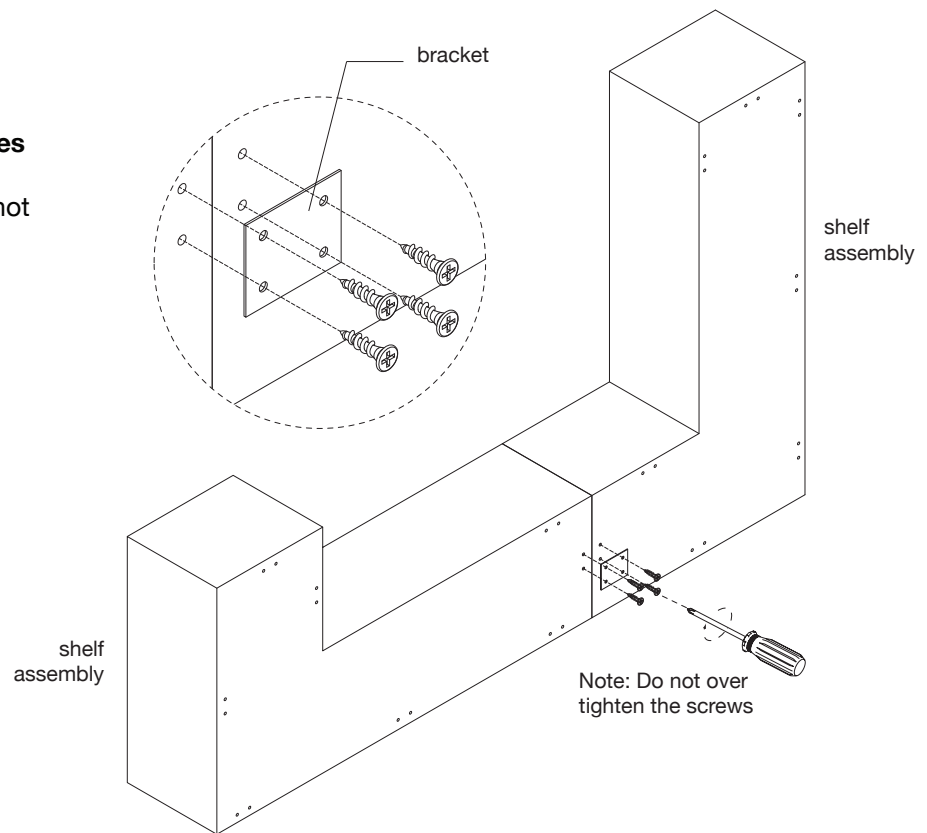
2 - shelving assemblies

cleaning and care

Clean surfaces with a dry or damp soft cloth.
Do not use abrasive cleaners.

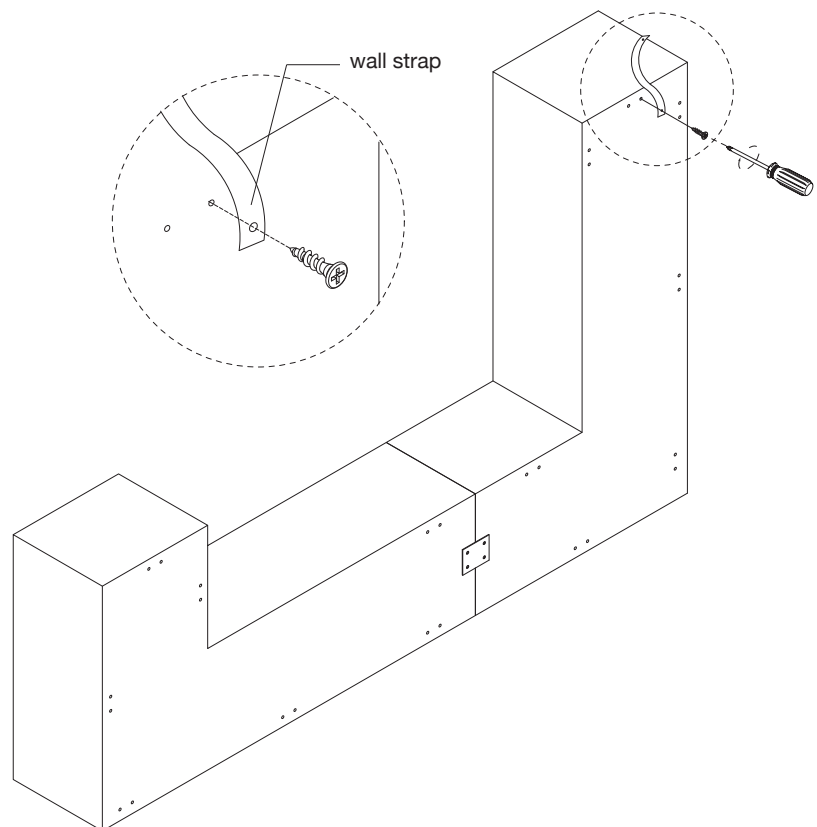
assembly

Position 2 **shelf assemblies** as shown. Attach 2 **shelf assemblies** together with 1 **bracket** and 4 **small screws**. Secure, but do not over tighten the screws, using a **phillips head screwdriver**.



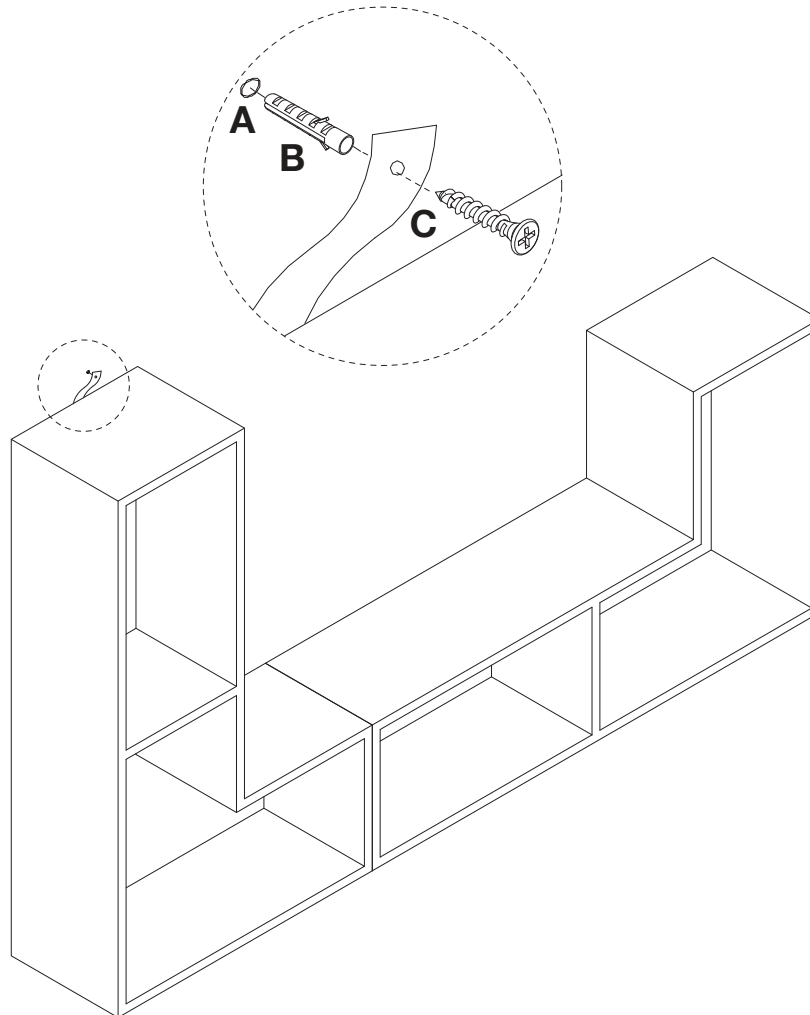
1

Attach **wall strap** to **shelf assembly** with 1 **small screw** as shown, using a screwdriver.



2

WALL



For added safety and stability, it is recommended that the wall mounting hardware be installed. For safe mounting, it is essential to use wall anchors appropriate to your wall type (i.e. plaster, drywall, concrete, etc.). Mount to wood studs whenever possible.

NOTE: If you are unsure about your wall type or what mounting method you should use, consult a qualified professional or your local hardware store.

- A) Determine the final location of unit. Mark position on the wall.
- B) Drill a hole in the wall stud. If the wall stud is not available, drill a hole in the wall that is slightly smaller in diameter than the anchor. Gently tap the **plastic anchor** until the flange of the anchor is flush with the wall.
- C) Attach end of assembled **wall strap** to the wall by inserting 1 **large screw** through hole of wall strap and into the plastic anchor in the wall. Secure, but do not over tighten, screw using a **Phillips head screwdriver**.

3

Wall mounting assembly is now complete.