

Thank you for purchasing the **Eddy High Dining Table**. This page lists all the contents included in the box. Please take the time to identify the hardware as well as the individual components to this product. As you unpack and prepare for assembly, place the contents on a carpeted or padded area to protect them from damage.  
 Note: 2 people are required to safely assemble this product.

## hardware



3 - nuts



3 - spring washers



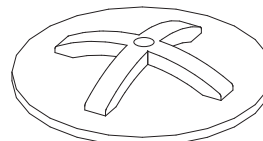
2 - flat washers



1 - short bolt

Missing hardware?  
 Please call **800.606.6387** for replacements.

## components



1 - tabletop and base assembly  
 (pre-attached with 1 - long bolt)



1 - leg

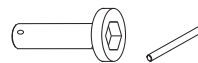


1 - flip top mechanism  
 (1 nut, 1 short bolt, 1 spring washer pre-attached)

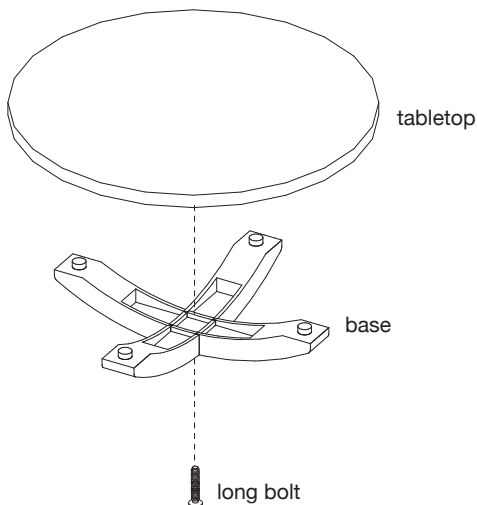


1 - metal rod  
 (2 nuts, 2 spring washers, 2 flat washers pre-attached)

## tools required

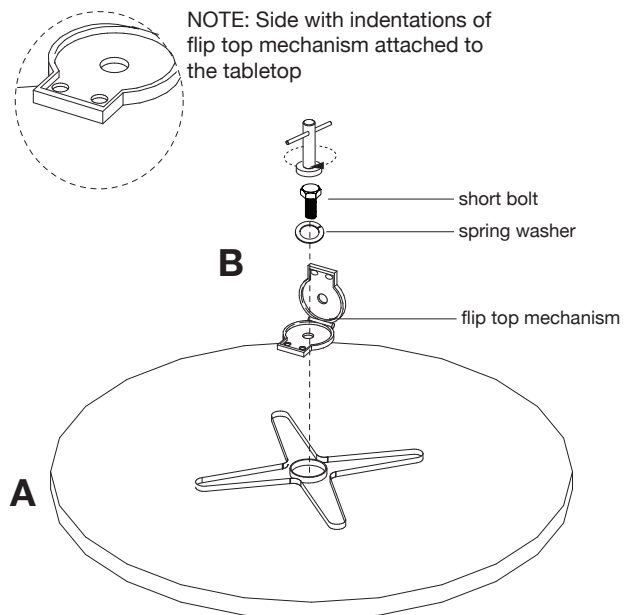


socket wrench (included)



1

Separate **base** from **tabletop** by detaching **long bolt**, using a **socket wrench**. Hardware can be saved for future use when storing table.



2

Lay **tabletop** upside down onto a clean, padded surface as shown. Open **flip top mechanism** and attach to **tabletop** with 1 **spring washer** and 1 **small bolt** as shown. Secure bolt with **nut wrench**. Make sure indentation of flip top mechanism is attached to the tabletop.

**3**

A. Remove pre-installed **nut** from **metal rod**. Set hardware aside until further instructions. Insert 1 **nut**, 1 **spring washer**, and 1 **flat washer** through **metal rod** as shown.

B. Attach **metal rod** to **flip top mechanism** with 1 **nut** from step 2A as shown. Secure the nut by hand. Make sure the nut is flush with the metal rod as shown.

C. Close the **flip top mechanism** and secure the nut from step 3A with a **socket wrench**.

D. Insert **leg** through **metal rod** of assembly as shown.

**4**

Attach **base** to **metal rod** of assembled unit with 1 **flat washer**, 1 **spring washer**, and 1 **nut**. Secure nut with **socket wrench**.

**5**

With assistance of another adult, carefully position unit upright. Table can be positioned in two way as shown. Assembly is now complete.

## cleaning & care

Clean surfaces with a dry or damp soft cloth. Do not use abrasive cleaners. Prevent furniture from excessive exposure to humid conditions, particularly in salt water locations.