

Thank you for purchasing the **Dylan Bench**. This page lists all the contents included in the box. Please take the time to identify the hardware as well as the individual components to this product. As you unpack and prepare for assembly, place the contents on a carpeted or padded area to protect them from damage. Note: 2 people are required to safely assemble this product.

hardware



8 - bolts

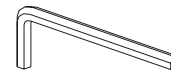


8 - washers

Missing hardware?

Please call **800.606.6387** for replacements.

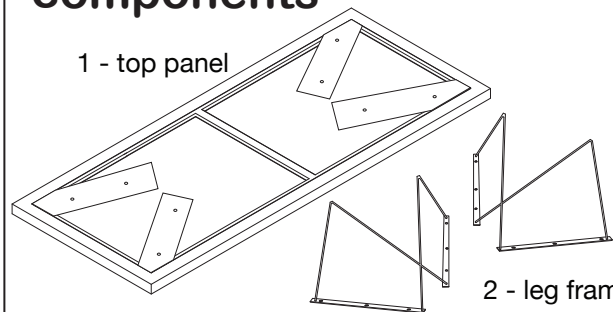
tools required



allen wrench (included)

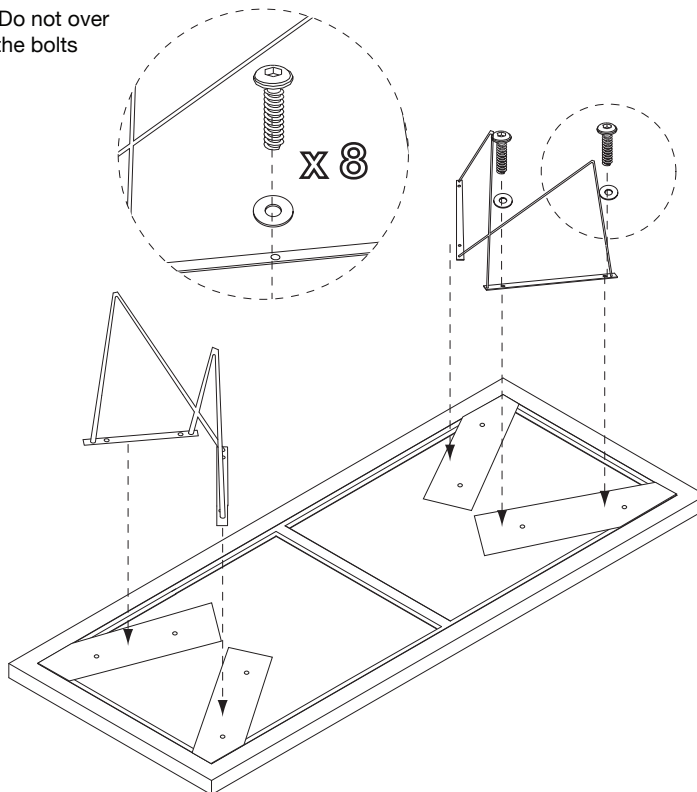
components

1 - top panel



2 - leg frames

NOTE: Do not over tighten the bolts



assembly

With assistance, carefully place **top panel** upside down onto a clean, padded surface. Attach each **leg frame** to **top panel** with 4 **bolts** and 4 **washers** per leg frame. Secure, but do not over tighten, bolts with an **allen wrench**. Position unit upright.

Assembly is now complete.

cleaning and care

Clean surfaces with a dry soft cloth. Do not use abrasive cleaners. It is recommended to use coasters to protect surface from heat and water.