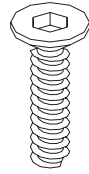
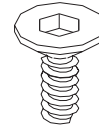


Thank you for purchasing the **Dwight Desk**. This page lists all the contents included in the box. Please take the time to identify the hardware as well as the individual components to this product. As you unpack and prepare for assembly, place the contents on a carpeted or padded area to protect them from damage.
 Note: 2 people are required to safely assemble this product.

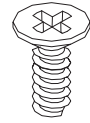
hardware



1 - large bolt



18 - medium bolts



4 - small bolts



4 - levelers



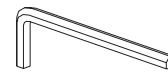
10 - glass bumpers

Missing hardware?

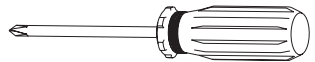
Please call **800.606.6387** for replacements.

tools required

allen wrench (included)

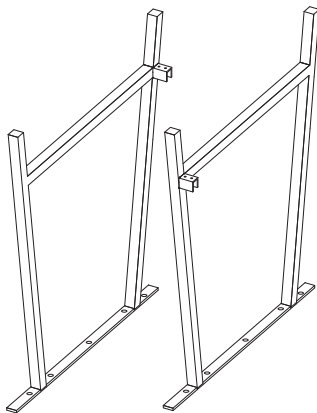


phillips head screwdriver

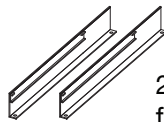


(We recommend the use of hand tools instead of power tools)

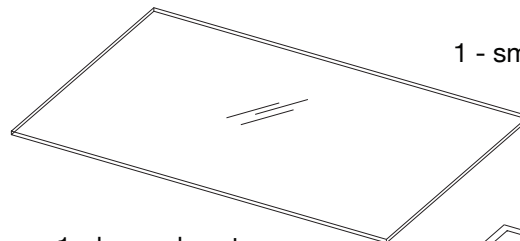
components



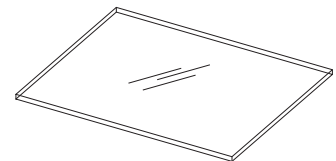
2 - side frames
(1 left, 1 right)



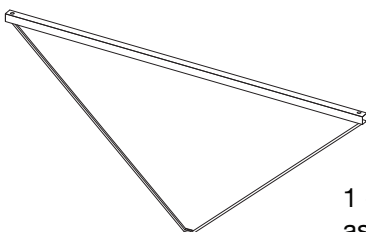
2 - keyboard side frames



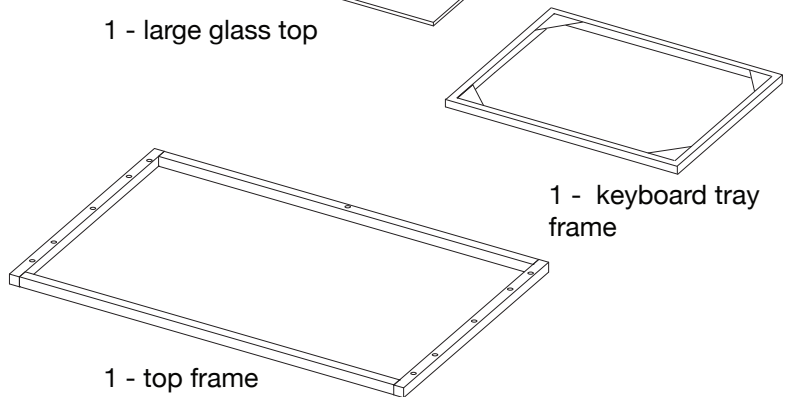
1 - large glass top



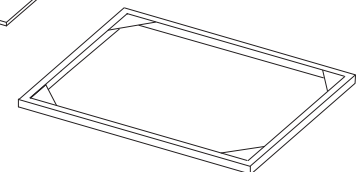
1 - small glass top



1 - crossbar assembly



1 - top frame



1 - keyboard tray frame

1

right side frame

X 5

B

A top frame

NOTE: Make sure bracket of right side frame and 3 pilot holes of top frame are assembled on the same side as shown

NOTE: Do not fully tighten bolts

A. Place **top frame** upside down on a clean, padded surface as shown.

B. Attach **right side frame** to **top frame** with **5 medium bolts** and secure with an **allen wrench** as shown. Do not fully tighten bolts until further instructions.

2

right side frame

A

crossbar assembly

B

NOTE: Do not fully tighten bolts

A. Fit **crossbar assembly** into corresponding bracket of **right side frame** as shown. Secure crossbar assembly with **2 medium bolts**. Do not fully tighten the bolts.

B. Attach **crossbar assembly** to **top frame** with **1 large bolt** as shown. Do not fully tighten the bolt.

3

crossbar assembly

left side frame

Fit **crossbar assembly** into corresponding bracket of **left side frame** as shown. Secure crossbar assembly with **2 medium bolts**. Do not fully tighten the bolts.

4

B

X 5

A

NOTE: Do not over tighten bolts

A. Attach **left side frame** to **top frame** with **5 medium bolts** and secure with an **allen wrench** as shown. At this point, fully tighten all bolts with an **allen wrench**. Do not over tighten the bolts.

B. Insert **2 levelers** into bottom of each side frame as shown. Turn levelers clockwise to secure.

NOTE: Do not over tighten the bolts

keyboard side frames

Attach 2 **keyboard side frames** to **top frame** with 4 **medium bolts** as shown. Secure, but do not over tighten, bolts with an **allen wrench**.

5 Make sure glides are assembled on the same side and towards the front as shown.

X 4

keyboard tray frame

keyboard side frame

keyboard tray frame

Attach **keyboard tray frame** to corresponding glides of **keyboard side frames** with 4 **small bolts** as shown, using a **phillips head screwdriver**.

6

B large glass top

A glass bumper

C small glass top

NOTE: Make sure each shelf is securely supported by each glass bumper

A. With assistance of another adult, position desk upright. Adhere 6 **glass bumpers** to **top frame** and 4 **glass bumpers** to **keyboard tray frame** as shown.

B. Carefully place **large glass top** onto **top frame** as shown.

C. Carefully place **small glass top** onto **keyboard tray frame** as shown. Adjust **levelers** as necessary.

Assembly is now complete.

A
x 10

7

cleaning and care

Clean surfaces with a dry or damp soft cloth. Do not use abrasive cleaners.