

Thank you for purchasing the **Duet Chair**. This page lists all the contents included in the box. Please take the time to identify the hardware as well as the individual components to this product. As you unpack and prepare for assembly, place the contents on a carpeted or padded area to protect them from damage.

hardware



4 - bolts

Missing hardware?

Please call **800.606.6387** for replacements.



4 - spring washers



4 - small flat washers



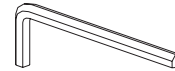
4 - large flat washers



4 - plastic washers

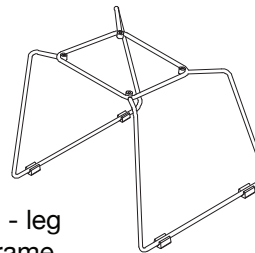
tools required

allen wrench (included)

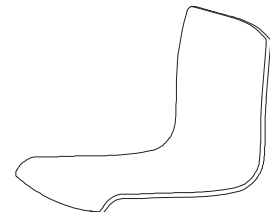


(We recommend the use of hand tools instead of power tools)

components



1 - leg frame

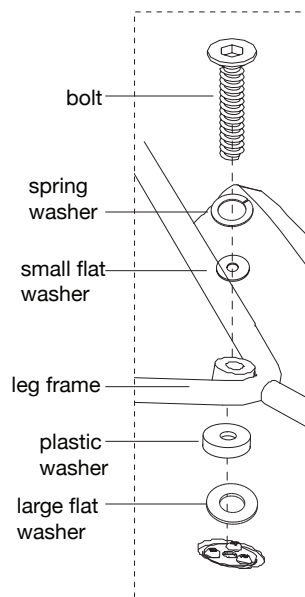


1 - seat

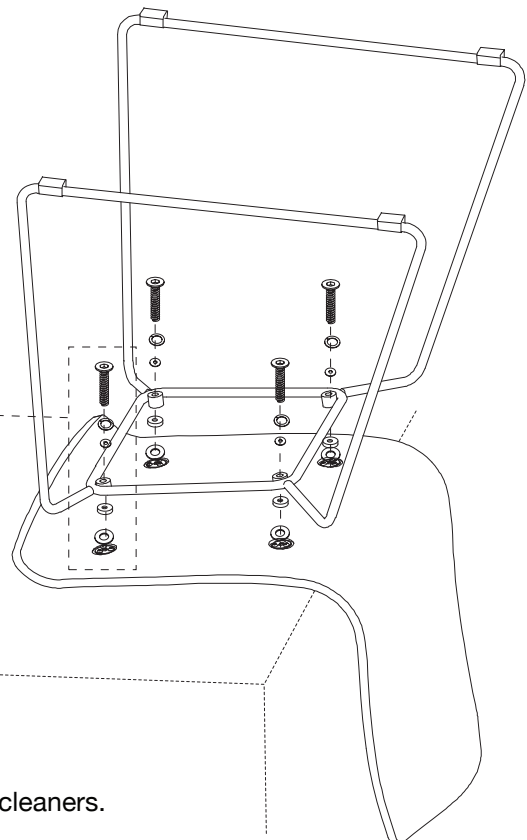
assembly

Position **seat** upside down on a clean, padded surface as shown. Attach **leg frame** to **seat** with 4 **bolts**, 4 **spring washers**, 4 **small flat washers**, 4 **plastic washers** and 4 **large flat washers** as shown. Secure, but do not over tighten, bolts with an **allen wrench**. Position chair upright.

Assembly is now complete.



X 4



cleaning and care

Clean surfaces with a dry or damp soft cloth. Do not use abrasive cleaners. Re-tighten bolts as necessary.