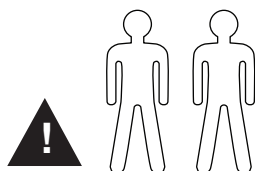
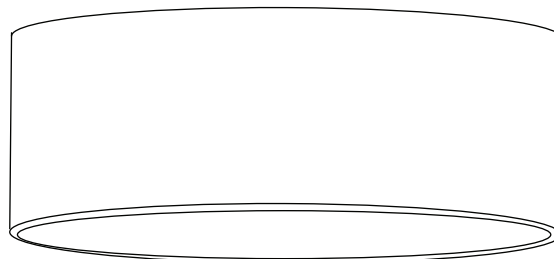


This page lists the contents included in the box. Please take time to identify the hardware as well as the individual components of the product. As you unpack and prepare for assembly, place the contents on a carpeted or padded area to protect them from damage. Please follow the assembly instructions closely. Improper assembly can result in personal or property damage.

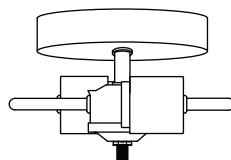
IMPORTANT SAFETY INSTRUCTIONS:
If you are unsure about your ceiling type or what mounting method you should use, consult a qualified professional or your local hardware store.

We recommend installation of this lamp be performed by a licensed electrician.



hardware & components

800.606.6387



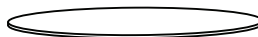
1 - lamp assembly



1 - finial



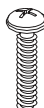
1 - shade



1 - diffuser



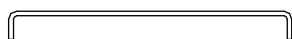
3 - wire nuts



2 - mounting bolts



2 - canopy bolts



1 - mounting plate

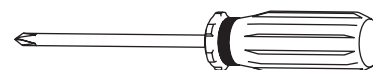


2 - 13 watt max CFL bulbs (NOT INCLUDED)
 OR
 2 - 60 watt max type A standard bulbs (NOT INCLUDED)

tools required



electrical tape



phillips head screwdriver

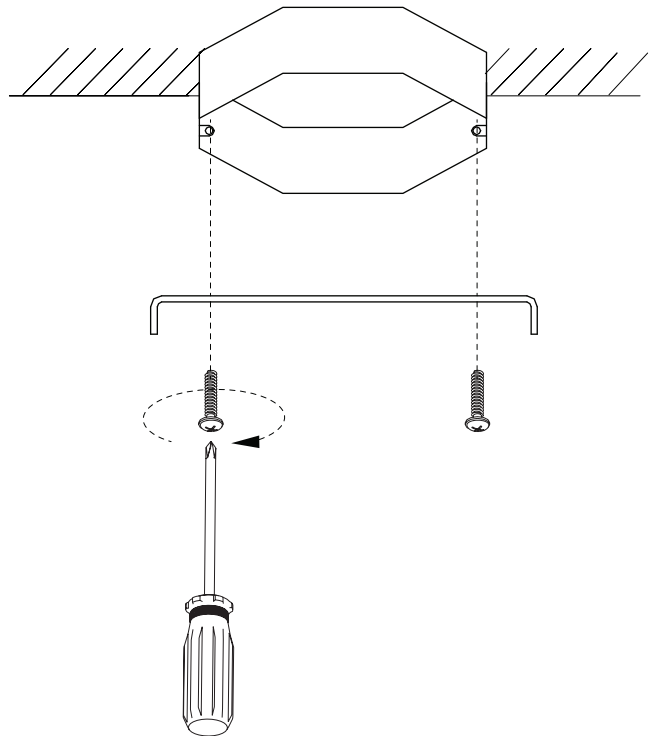
cleaning & care

Dust surfaces with a dry soft cloth. Do not use cleaners or polishes on the lamp.

1

Shut off the main electrical supply from the main fuse box/circuit breaker. Carefully unpack all fixture parts and hardware. Lay items out on a clear workspace.

Align holes in **mounting plate** with holes in *junction box* and attach with 2 **mounting bolts**. Secure with a **phillips head screwdriver**.



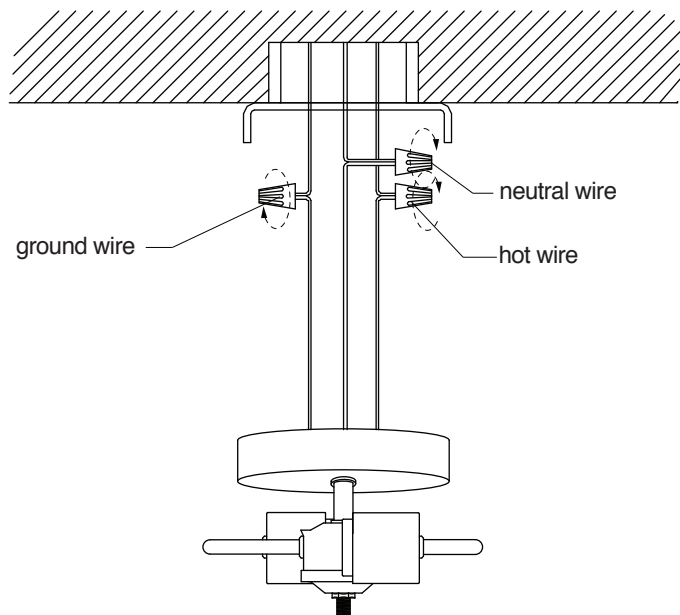
2

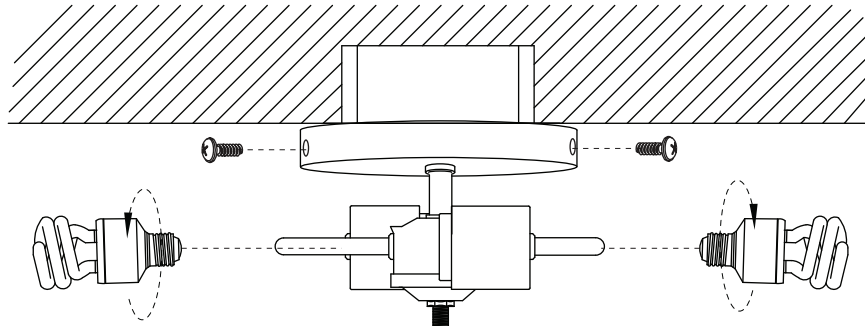
With assistance, lift **lamp assembly** into position.

Carefully inspect the fixture wires:

- *Neutral fixture wire* = white
- *Hot fixture wire* = black
- *Ground wire* = green

- Attach the *ground wire* of the lamp to the *ground wire* from the junction box. Fasten each together with a **wire nut** and wrap the connection with **electrical tape**.
- Attach the *neutral fixture wire* from the lamp to the *neutral junction box wire* (usually white). Fasten each together with a **wire nut** and wrap the connection with **electrical tape**.
- Attach the *hot fixture wire* from the lamp to the *hot junction box wire* (usually black). Fasten each together with a **wire nut** and wrap the connection with **electrical tape**.



3

With assistance, fit canopy over mounting plate as shown. Align holes in canopy with mounting plate and secure with **2 canopy bolts**.

Insert **2 bulbs (not included)** into the sockets. **DO NOT EXCEED SPECIFIED WATTAGE.**

4

Fit **shade** onto threaded stud of lamp assembly as shown. Attach with the **finial**.

Fit **diffuser** into the shade as shown.

Installation is now complete.

