



Thank you for purchasing the **Dondra Queen / King Bed**. This page lists all the contents included in the box. Please take the time to identify the hardware as well as the individual components to this product. As you unpack and prepare for assembly, place the contents on a carpeted or padded area to protect them from damage.

Note: 2 people are recommended to safely assemble this product.

## hardware



8 - washers      8 - bolts      8 - pins

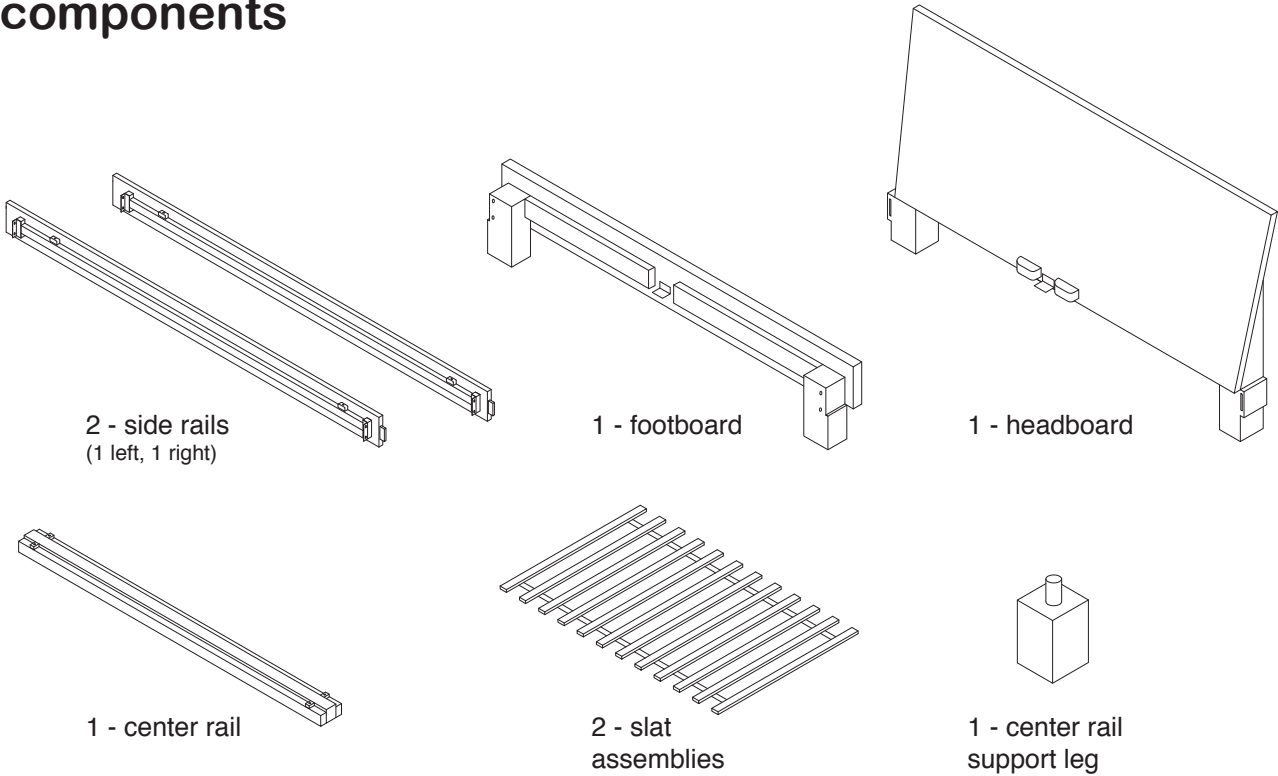
Missing hardware?  
Please call **800.606.6387** for replacements.

## tools required



hex wrench (included)

## components



2 - side rails  
(1 left, 1 right)

1 - footboard

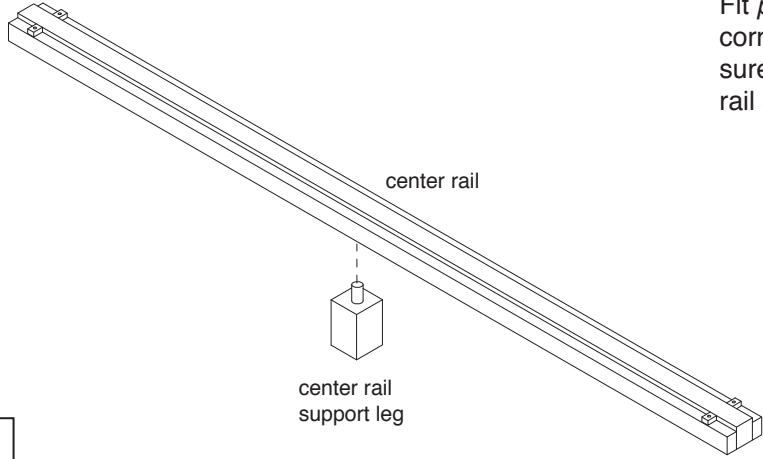
1 - headboard

1 - center rail

2 - slat assemblies

1 - center rail support leg

1



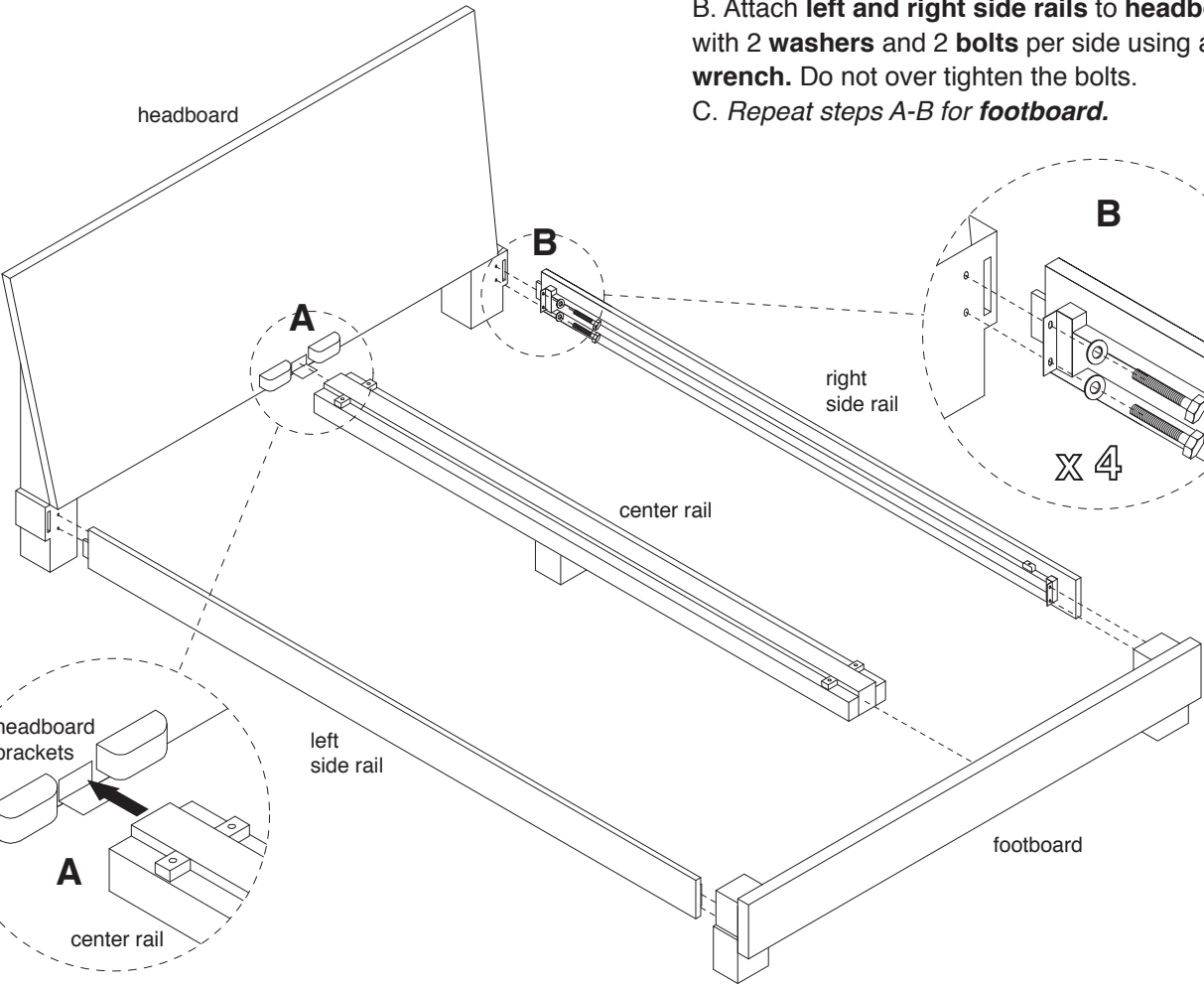
center rail

center rail support leg

Fit *peg* of **center rail support leg** into corresponding hole of **center rail** as shown. Make sure center rail is securely supported by center rail support leg.

2

NOTE: Do not over tighten the bolts



headboard

center rail

right side rail

left side rail

footboard

**A**

**B**

headboard brackets

center rail

X 4

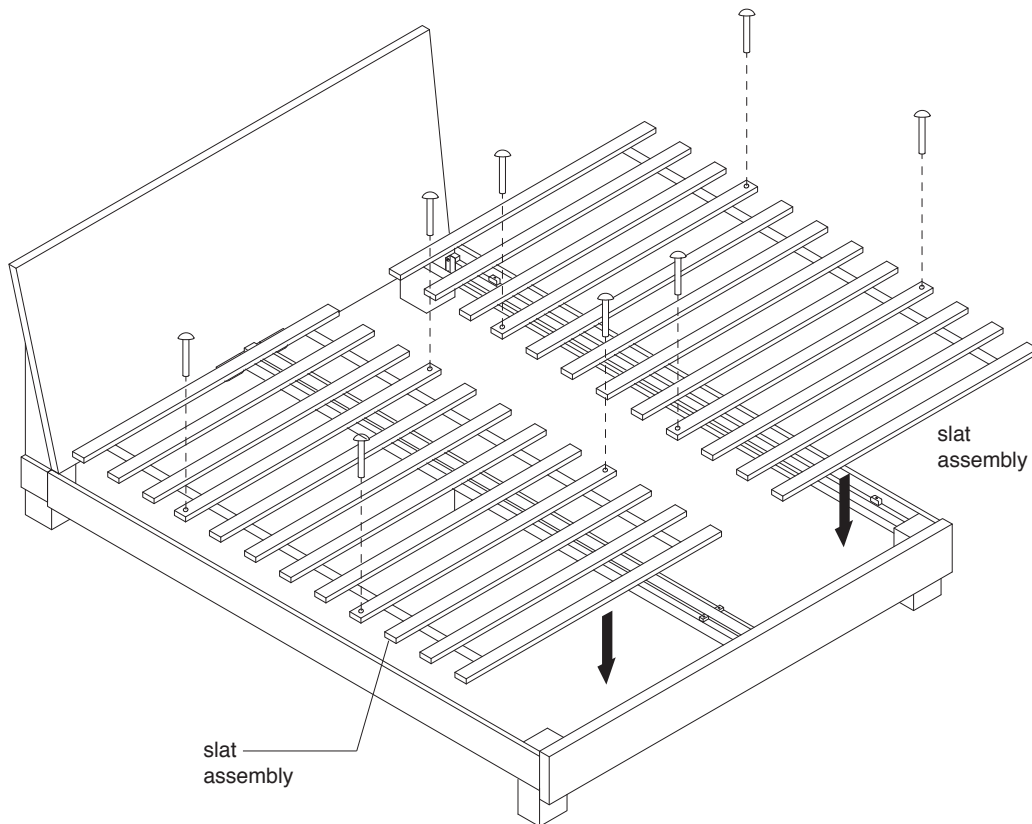
A. With the assistance of another adult, position **headboard** as shown. Fit **center rail** onto *headboard brackets*.

B. Attach **left and right side rails** to **headboard** with 2 **washers** and 2 **bolts** per side using a **hex wrench**. Do not over tighten the bolts.

C. Repeat steps A-B for **footboard**.

Attach 2 **slat assemblies** to **left/right side frames** and **center rail** with 4 **pins** per slat assembly as shown. Make sure each slat is securely attached.

Assembly is now complete.



**3**

## cleaning & care

Clean surfaces with a dry or damp soft cloth.  
Do not use abrasive cleaners.