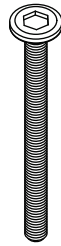
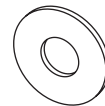


Thank you for purchasing the **Dockside Bench**. This page lists all the contents included in the box. Please take the time to identify the hardware as well as the individual components to this product. As you unpack and prepare for assembly, place the contents on a carpeted or padded area to protect them from damage. Note: 2 people are recommended to safely assemble this product.

hardware



8 - bolts



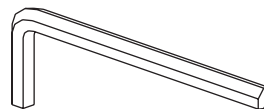
8 - flat washers



8 - spring washers

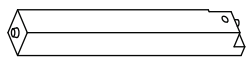
Missing hardware?
Please call **800.606.6387** for replacements.

tools required

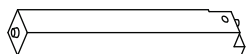


allen wrench
(included)

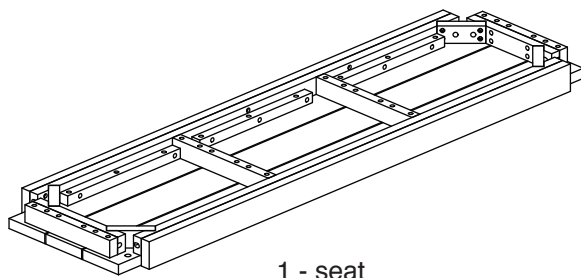
components



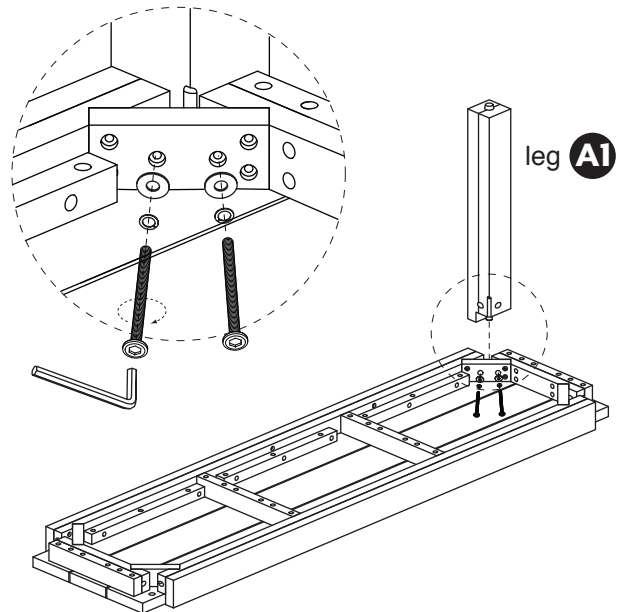
2 - legs **A1 A2**



2 - legs **B1 B2**

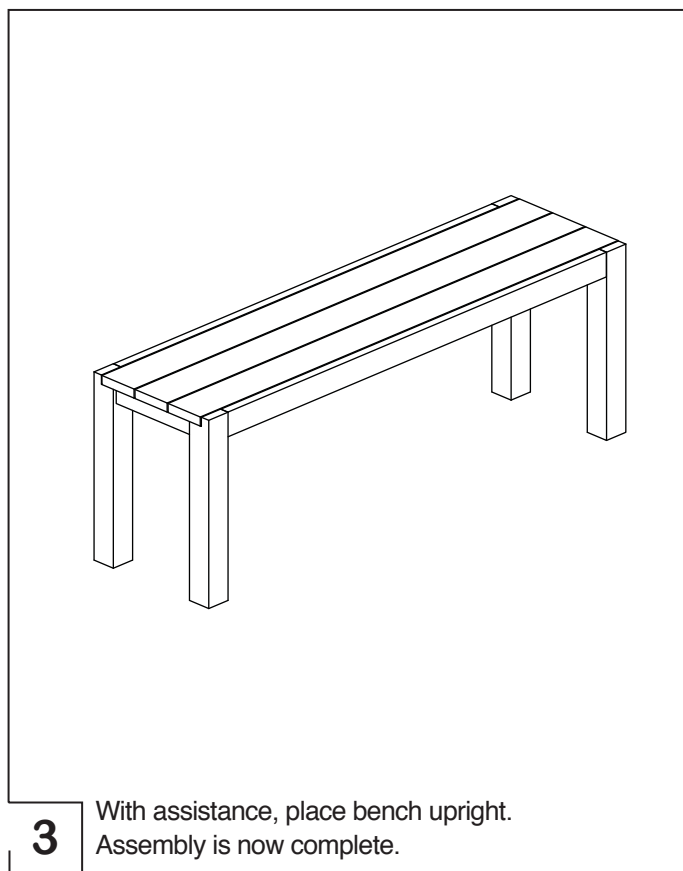
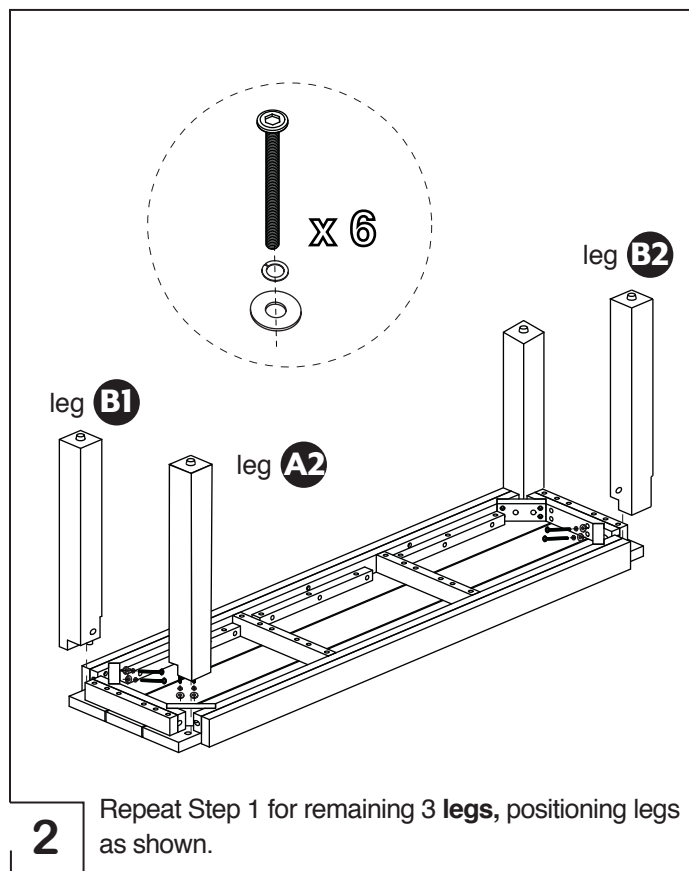


1 - seat



1

With the assistance of another adult, place **seat** upside down on a clean, padded surface. Attach **leg "A1"** to the seat corner bracket with 2 **bolts**, 2 **spring washers** and 2 **flat washers**. Secure each bolt with the **allen wrench**.



cleaning and care

Clean surfaces with a dry or damp soft cloth. Do not use abrasive cleaners. Periodically, tighten bolts as necessary.

Left unprotected, this table will weather and patina to a silvery grey.

During normal weathering, wood may crack slightly due to changes in the moisture; this does not effect the structural integrity of the furniture.

Store or keep covered during inclement weather and when not in use.

To preserve the original finish avoid leaving in direct sunlight for extended periods of time.