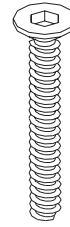




Thank you for purchasing the **Discus Side Table**. This page lists all the contents included in the box. Please take the time to identify the hardware as well as the individual components to this product. As you unpack and prepare for assembly, place the contents on a carpeted or padded area to protect them from damage.

Note: 2 people are recommended to safely assemble this product.

hardware



1 - large bolt



3 - small bolts

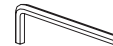
Missing hardware? Please call **800.606.6387** for replacements.

tools required

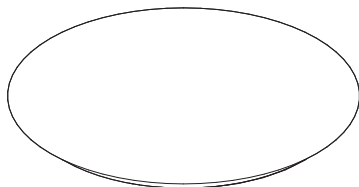
large allen wrench (included)



small allen wrench (included)



components



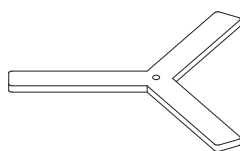
1 - top panel



1 - top leg



1 - leg plate

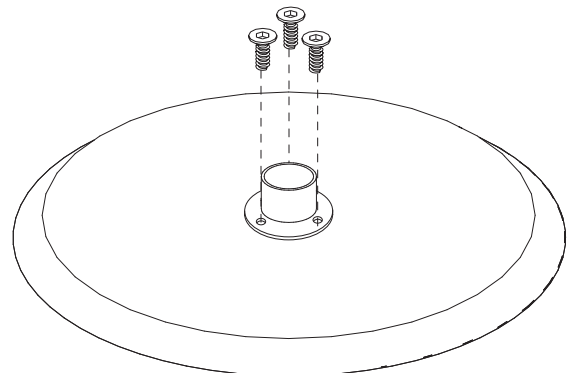


1 - base



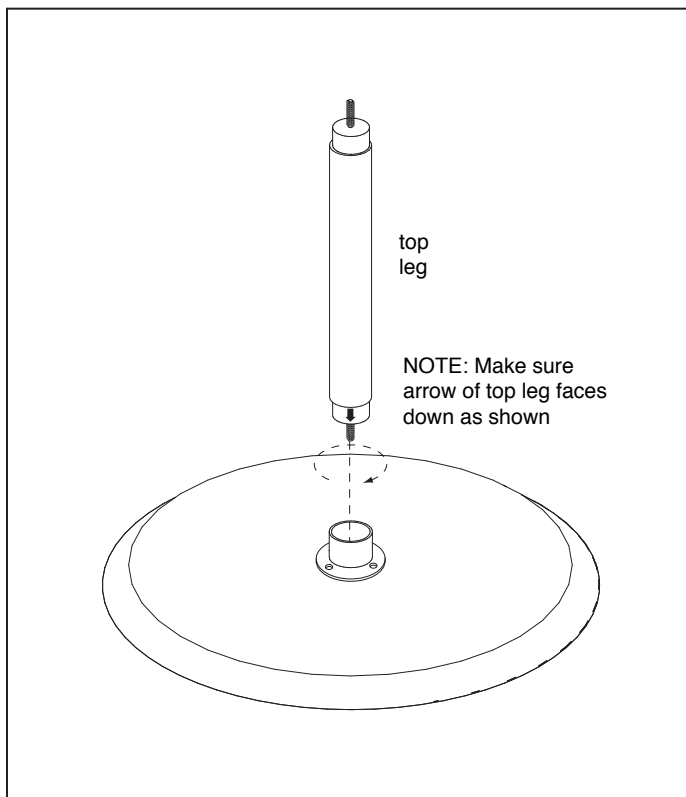
1 - bottom leg

NOTE: Do not over tighten the bolts

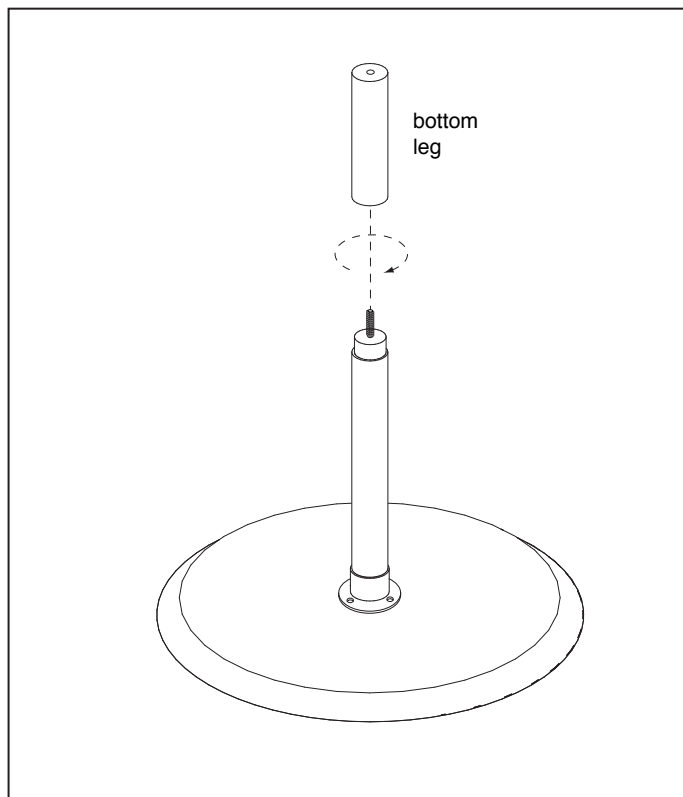


Place **top panel** upside down onto a clean, padded surface as shown. Attach **leg plate** to **top panel** with 3 **small bolts**, using a **small allen wrench**. Do not over tighten the bolts.

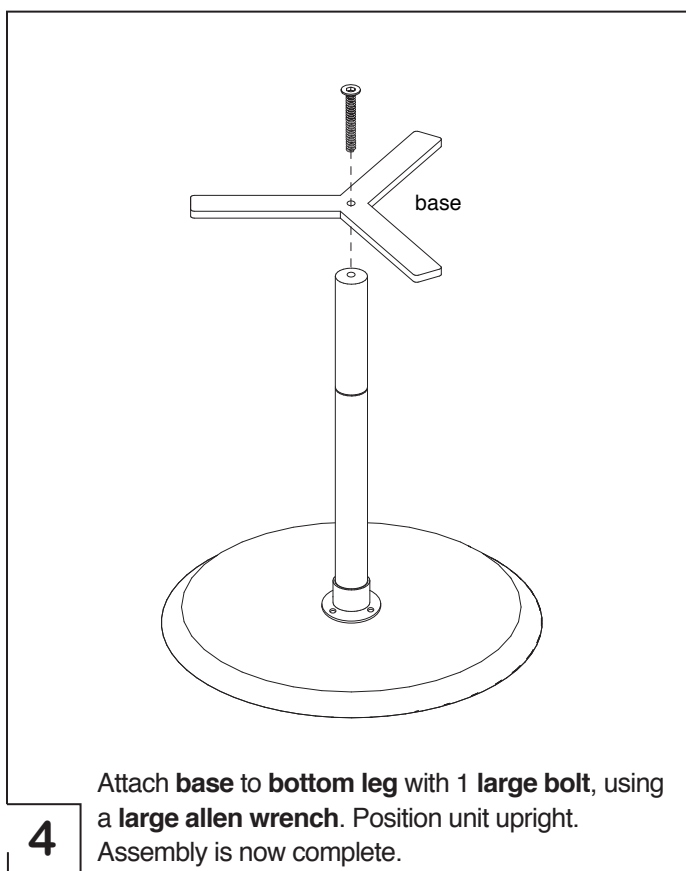
1



2 Attach **top leg** into the **leg plate** as shown. Turn leg clockwise to secure.



3 Attach **bottom leg** to **top leg** as shown. Turn bottom leg clockwise to secure.



4 Attach **base** to **bottom leg** with 1 **large bolt**, using a **large allen wrench**. Position unit upright. Assembly is now complete.

cleaning and care

Clean surfaces with a dry or damp soft cloth. Do not use abrasive cleaners.