

Thank you for purchasing the **Deuce Bed**. This page lists all the contents included in the box. Please take the time to identify the hardware as well as the individual components to this product. As you unpack and prepare for assembly, place the contents on a carpeted or padded area to protect them from damage.

Note: 2 people are required to safely assemble this product.

## hardware

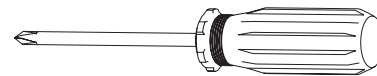


10 - screws

Missing hardware?

Please call **800.606.6387** for replacements.

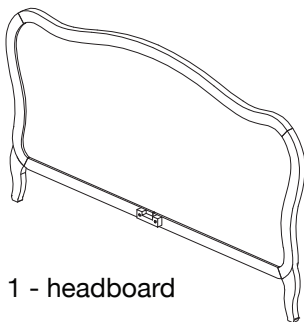
## tools required



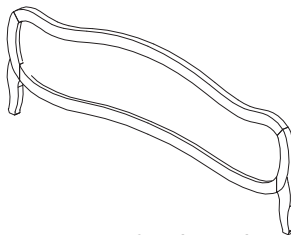
Phillips head screwdriver

(We recommend the use of hand tools instead of power tools)

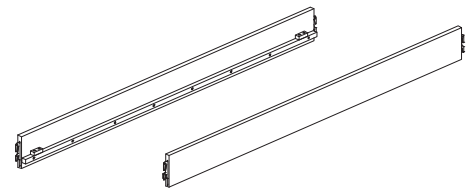
## components



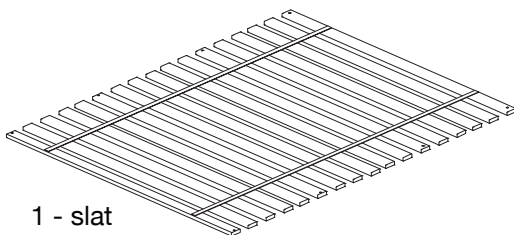
1 - headboard



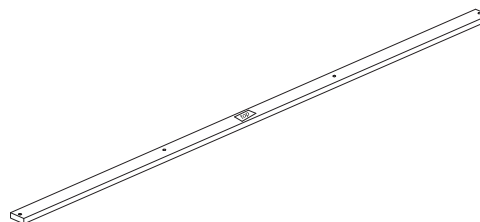
1 - footboard



2 - side rails  
(1 left, 1 right)



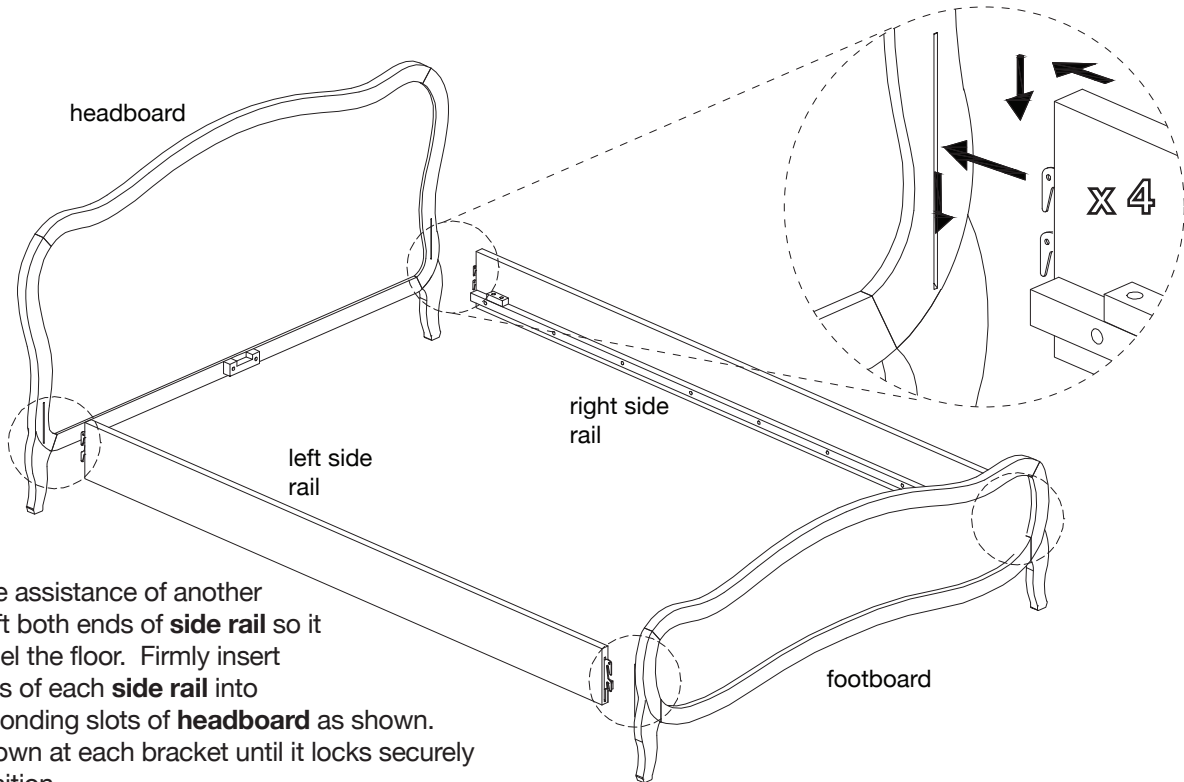
1 - slat  
assembly



1 - center  
rail

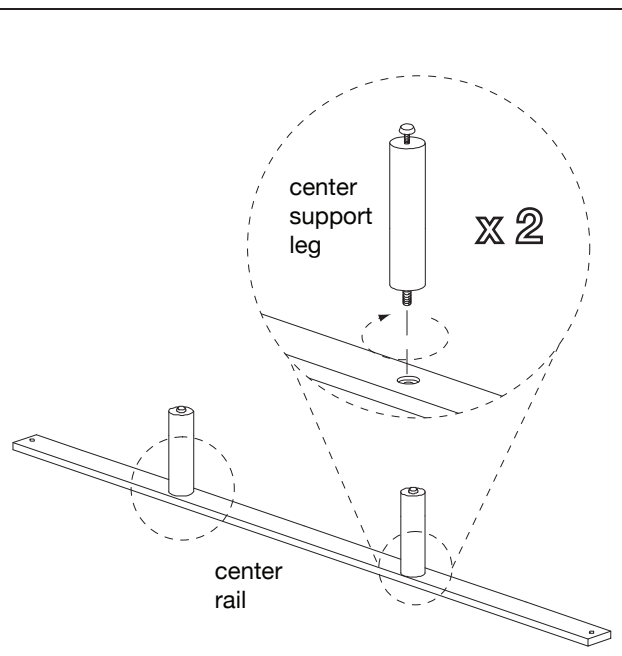


2 - center  
support legs



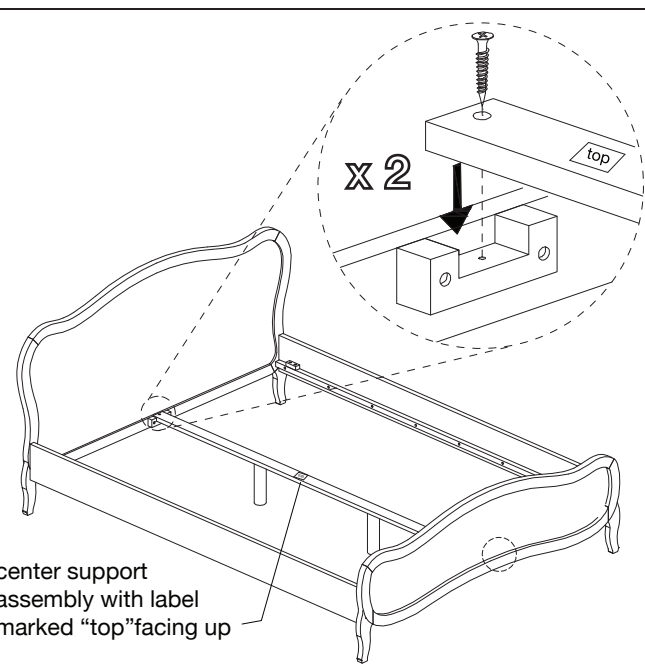
With the assistance of another adult, lift both ends of **side rail** so it is parallel the floor. Firmly insert brackets of each **side rail** into corresponding slots of **headboard** as shown. Push down at each bracket until it locks securely into position.

**1** Repeat for the **footboard**.



Insert 2 **center support legs** into bottom of **center rail** as shown. Turn each **support leg** clockwise to secure.

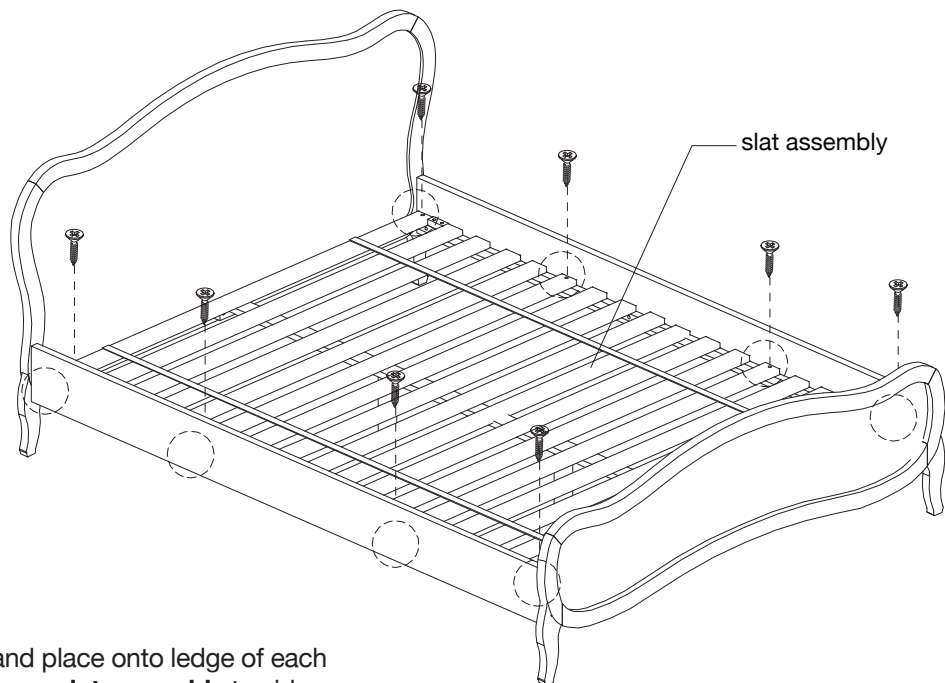
**2**



center support assembly with label marked "top" facing up

Fit **center support assembly** (with label marked "top" facing up) onto corresponding notches of **headboard/footboard** and secure with 2 **screws**, using a **phillips head screwdriver**. Make sure center rail is securely supported by each support leg. Adjust levelers as necessary.

**3**



Unroll **slat assembly** and place onto ledge of each side rail as shown. Secure **slat assembly** to side rails with 8 **screws**.  
Assembly is now complete.

4

### CLEANING AND CARE

Clean surfaces with a dry or damp soft cloth.  
Do not use abrasive cleaners.