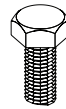


Thank you for purchasing the **Derby Dining Table**. This page lists all the contents included in the box. Please take the time to identify the hardware as well as the individual components to this product. As you unpack and prepare for assembly, place the contents on a carpeted or padded area to protect them from damage. Note: 2 people are required to safely assemble this product.

hardware

Missing hardware?
Please call **800.606.6387**
for replacements.



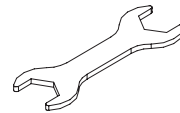
8 - bolts



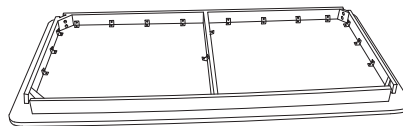
8 - flat
washers

tools required

hex wrench
(included)

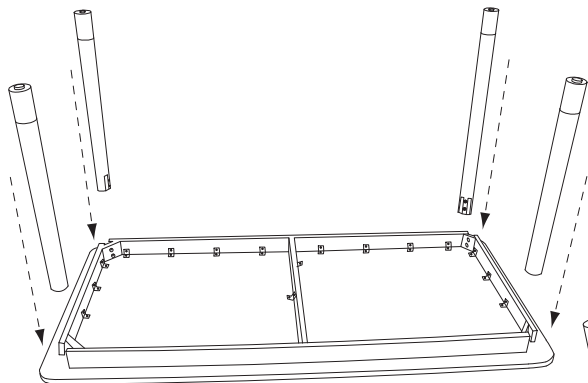


components

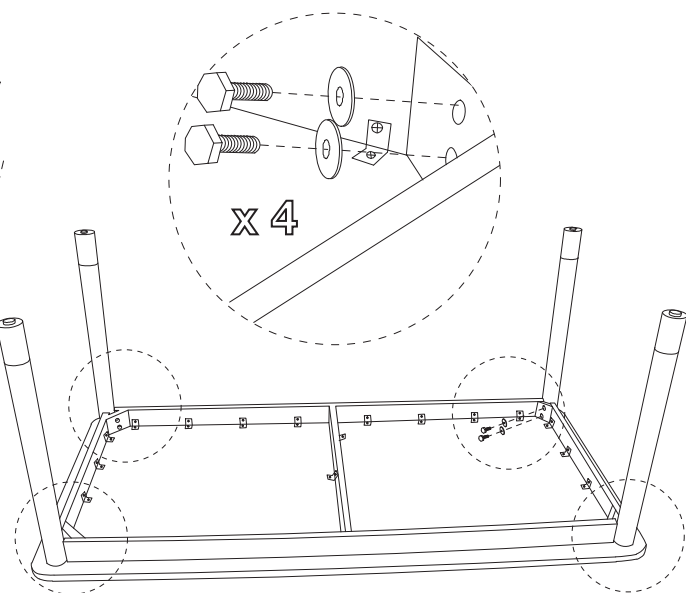


1 - tabletop

4 - legs



With the assistance of another adult, place **tabletop** upside down onto a clean, padded surface. Align holes of each **leg** with corresponding holes of **tabletop** and attach with 2 **bolts** and 2 **flat washers** per leg. Secure bolts with a **hex wrench**. Position table upright. Adjust pre-attached **levelers** as necessary. Assembly is now complete.



cleaning & care

Clean surfaces with a dry soft cloth. Do not use abrasive cleaners. It is recommended to use coasters to protect surface from heat and water.

1