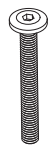


Thank you for purchasing the **Curtis Rocker**. This page lists all the contents included in the box. Please take time to identify the hardware as well as the individual components of this product. As you unpack and prepare for assembly, place the contents on a carpeted or padded area to protect them from damage.

hardware

Missing hardware?
Please call **800.606.6387**
for replacements.



12 - bolts



4 - wood
dowels



4 - barrel
nuts

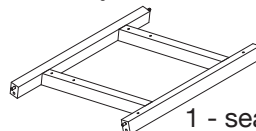


12 - flat
washers

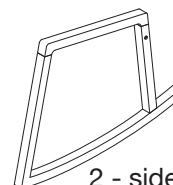


12 - spring
washers

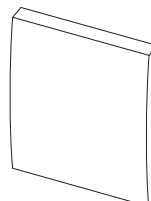
components



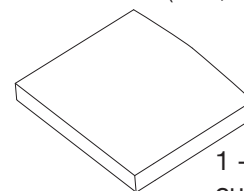
1 - seat frame



2 - side frames
(1 left, 1 right)



1 - seat
back



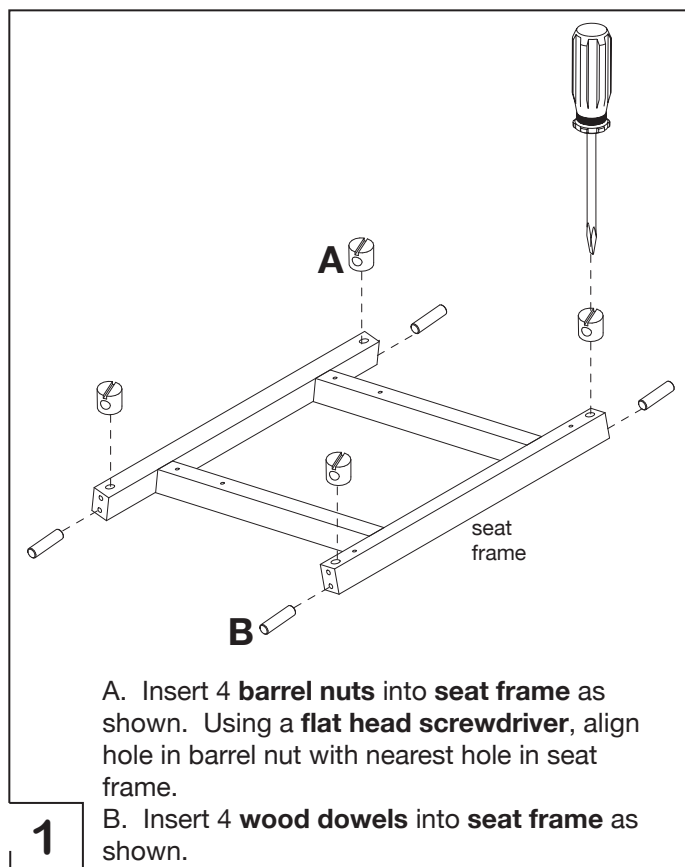
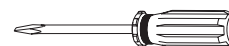
1 - seat
cushion

tools required

allen wrench (included)

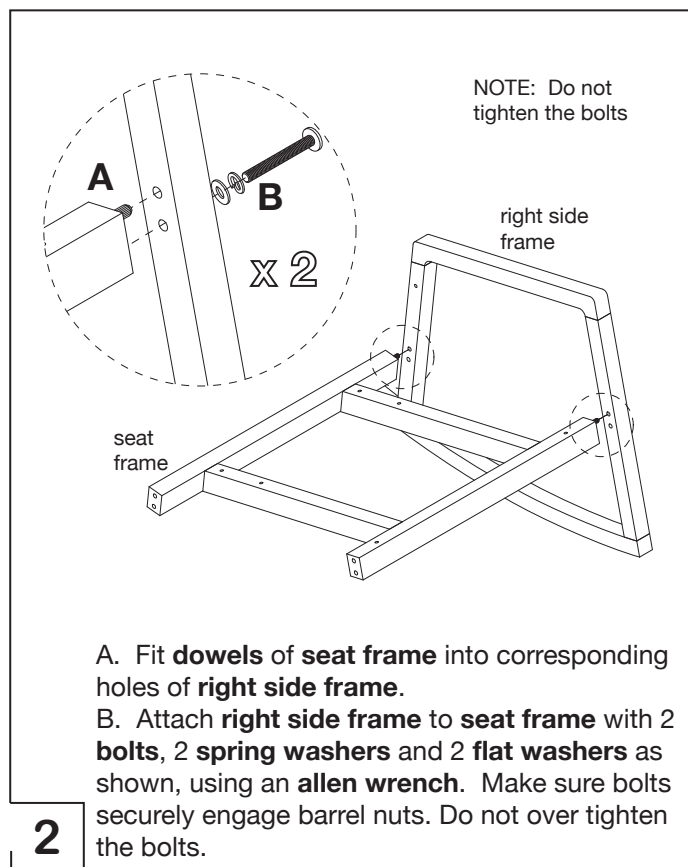


flat head screwdriver



1 A. Insert 4 **barrel nuts** into **seat frame** as shown. Using a **flat head screwdriver**, align hole in barrel nut with nearest hole in seat frame.

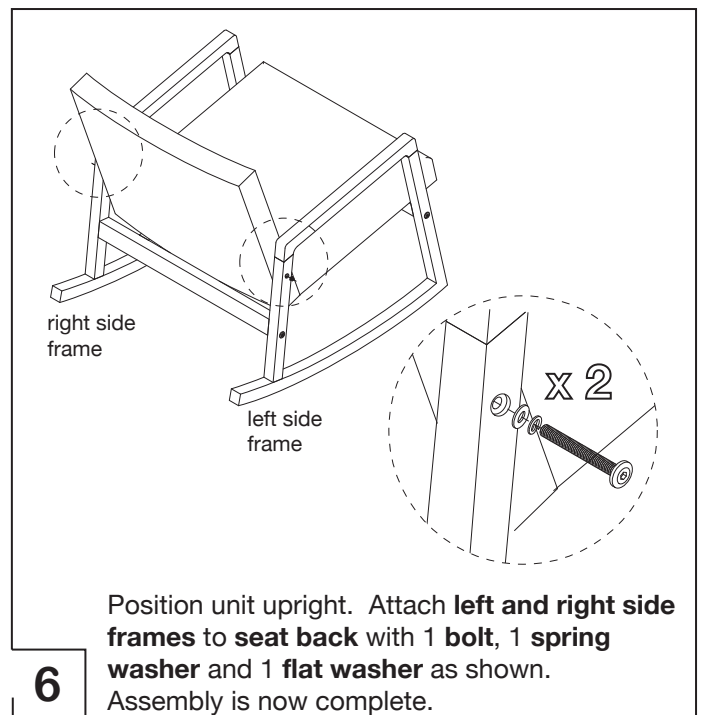
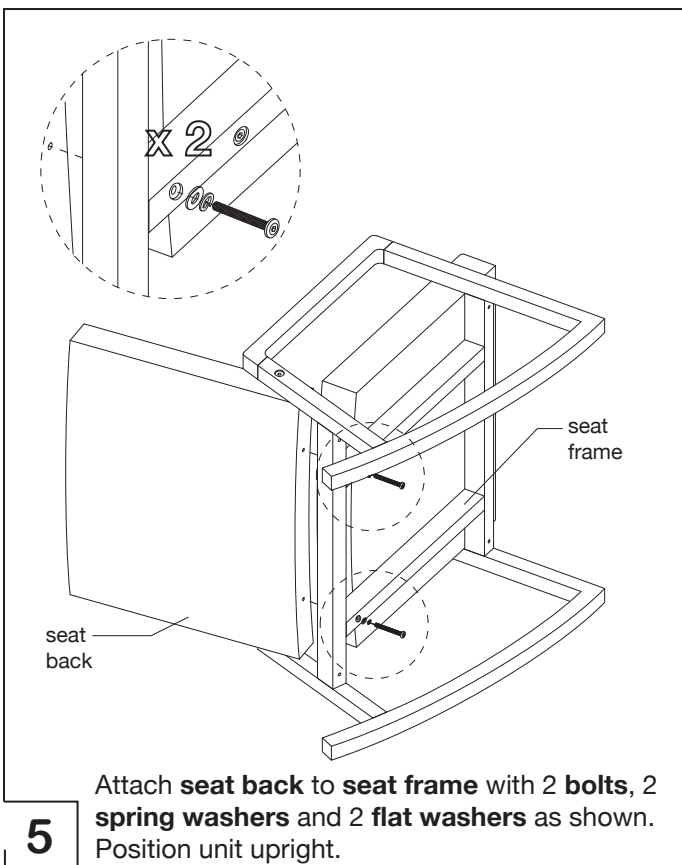
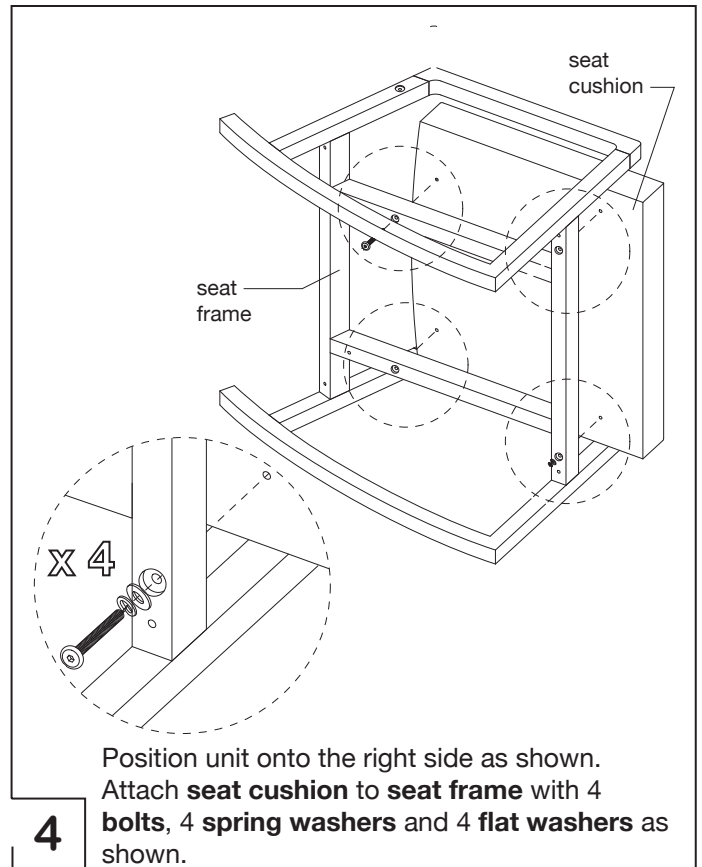
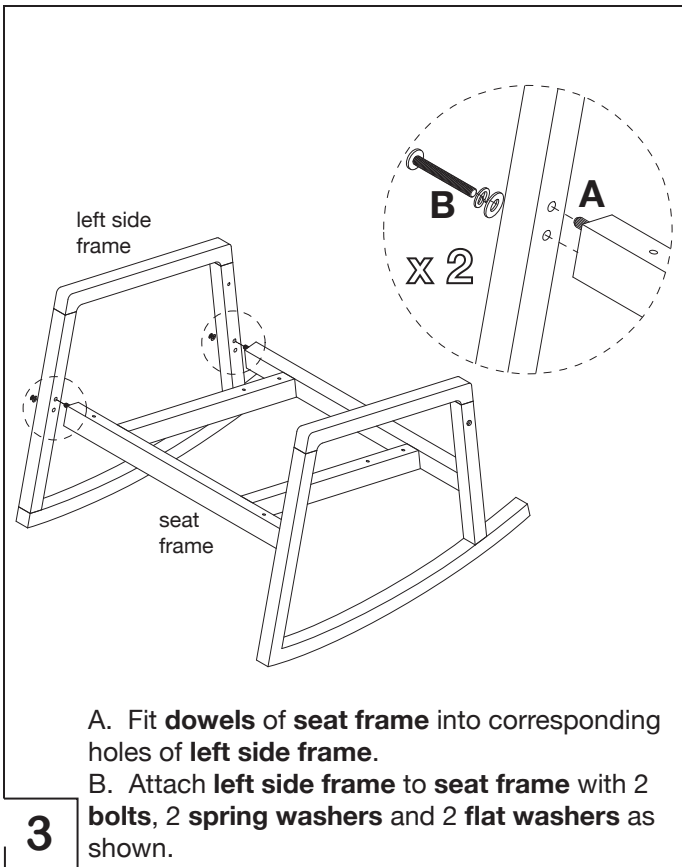
B. Insert 4 **wood dowels** into **seat frame** as shown.



NOTE: Do not
tighten the bolts

2 A. Fit **dowels** of **seat frame** into corresponding holes of **right side frame**.

B. Attach **right side frame** to **seat frame** with 2 **bolts**, 2 **spring washers** and 2 **flat washers** as shown, using an **allen wrench**. Make sure bolts securely engage barrel nuts. Do not over tighten the bolts.



cleaning and care
 Clean surfaces with a dry or damp soft cloth. Do not use abrasive cleaners. Periodically check bolts and secure as necessary. Wipe up spots and spills immediately. Clean only by vacuuming or light brushing to remove soil. Never use water, foam or liquid cleaning agents. Professional upholstery cleaning is recommended.