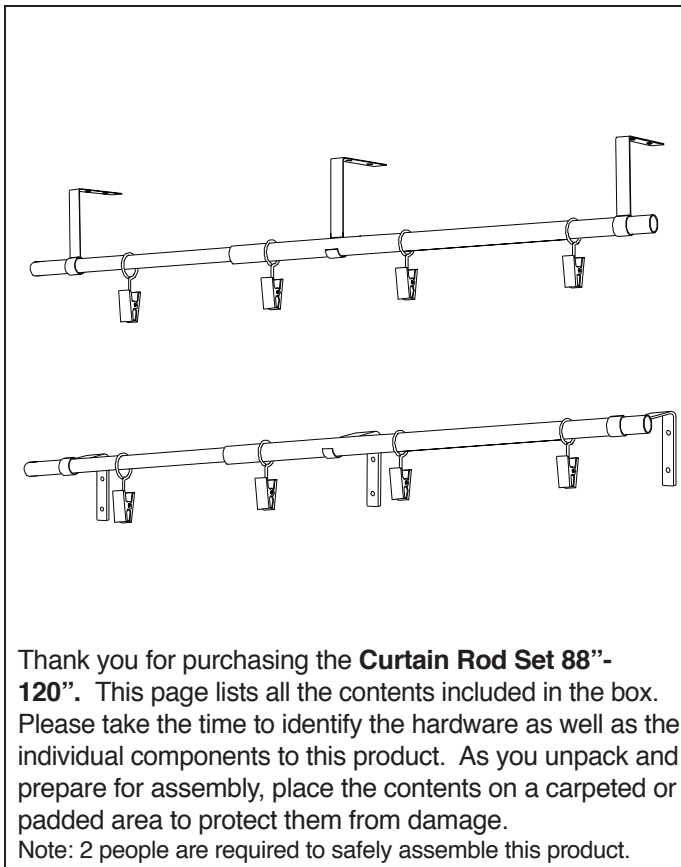
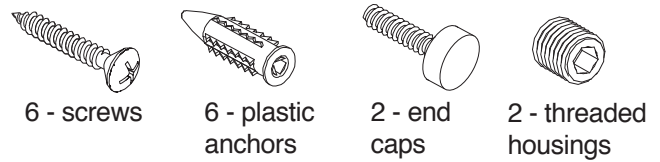


curtain rod set 88" - 120"

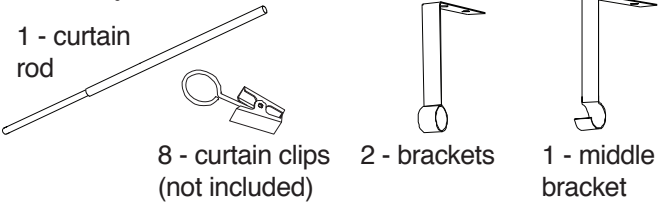


assembly hardware

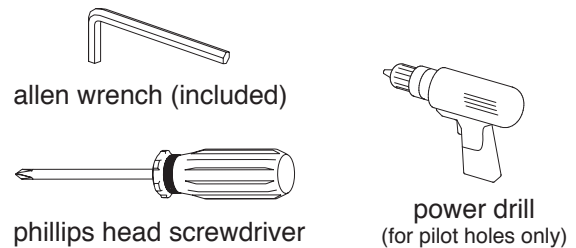


Missing hardware?
 Please call **800.606.6387** for replacements.

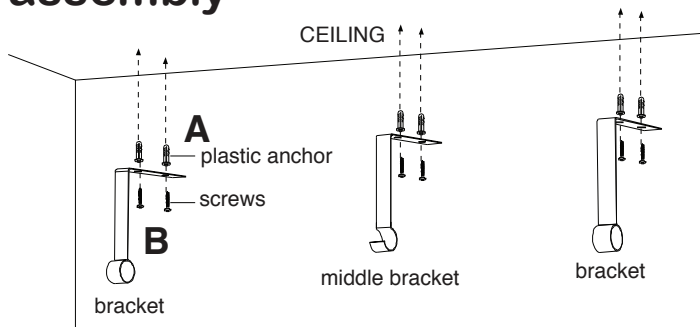
components



tools required

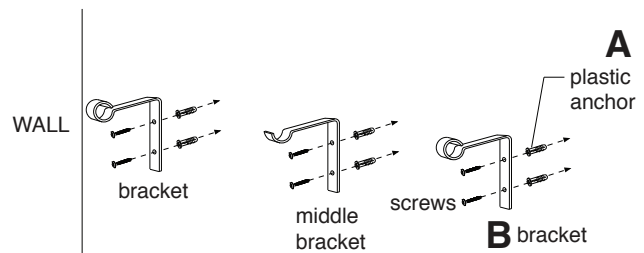


assembly



instructions for ceiling mounting

- A. Determine final location of **curtain assembly**. Mark 6 holes on ceiling at desired curtain length. Drill 6 holes in the ceiling that is slightly smaller in diameter than the anchor. Insert 6 **plastic anchors** into the holes. Gently tap each anchor until the head is flush to the ceiling surface.
- B. Align holes of **brackets** with **plastic anchors**, and insert 6 **screws** through each bracket and into the anchors. Secure, but do not over tighten each screw, using a **phillips head screwdriver**.
- C. Make sure each bracket is securely supported into ceiling.



instructions for wall mounting

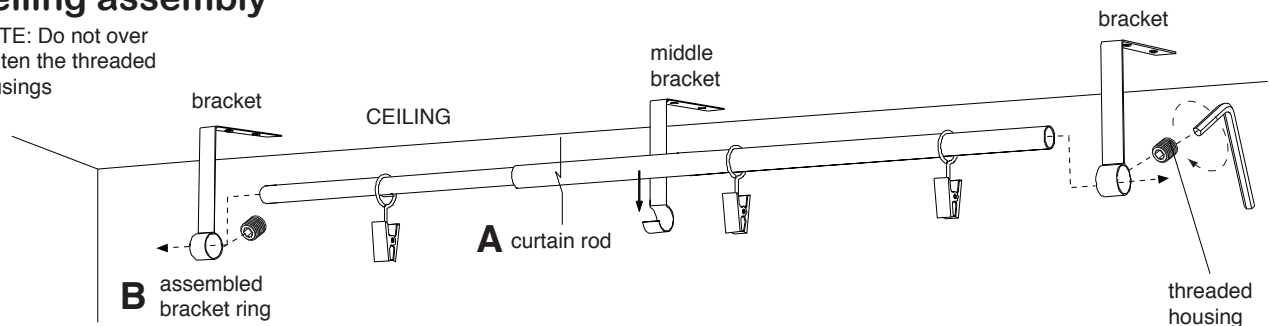
- A. Determine final location of **curtain assembly**. Mark 6 holes on wall at desired curtain length. Drill 6 holes in the wall that is slightly smaller in diameter than the anchor. Insert 6 **plastic anchors** into the holes. Gently tap each anchor until the head is flush to the wall surface.
- B. Align holes of **brackets** with **plastic anchors**, and insert 6 **screws** through each bracket and into the anchors. Secure, but do not over tighten each screw, using a **phillips head screwdriver**.
- C. Make sure each bracket is securely supported in wall.

1

A. With the assistance of another adult, fit **curtain rod** through assembled **brackets** as shown. Extend curtain rod as necessary. Make sure curtain rod extends past brackets.
B. Secure **curtain rod** to *assembled bracket ring* with 1 **threaded housing** per side as shown, using an **allen wrench**. Do not over tighten.

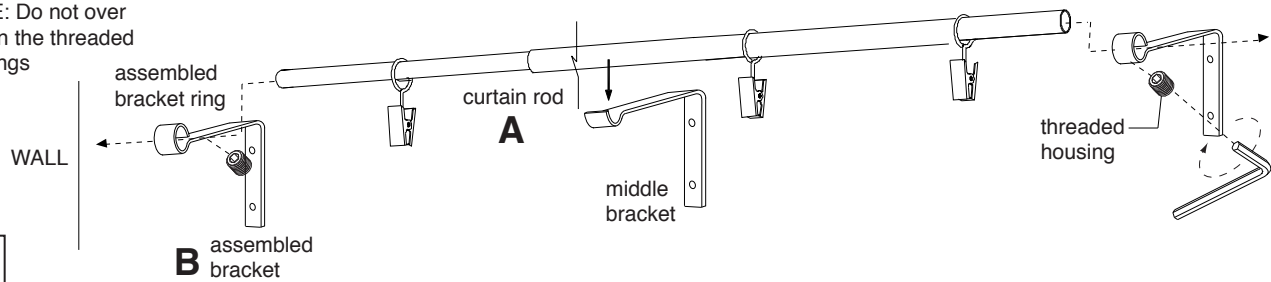
ceiling assembly

NOTE: Do not over tighten the threaded housings



wall assembly

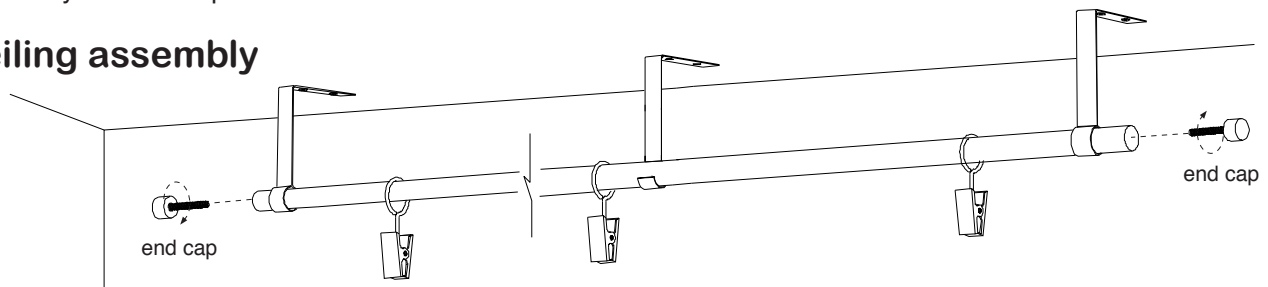
NOTE: Do not over tighten the threaded housings



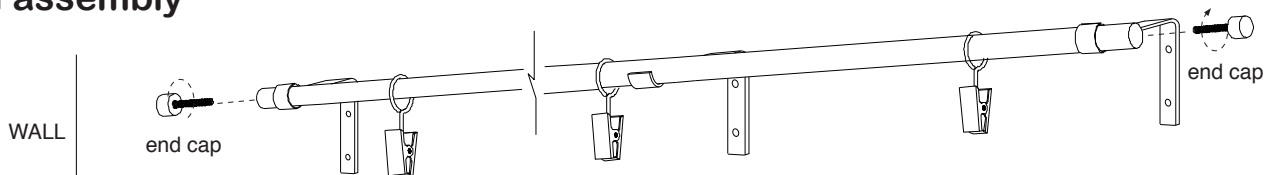
3

Secure **curtain rod** with 2 **end caps** as shown. Assembly is now complete.

ceiling assembly



wall assembly



4

cleaning and care

Clean surfaces with a dry or damp soft cloth. Do not use abrasive cleaners.