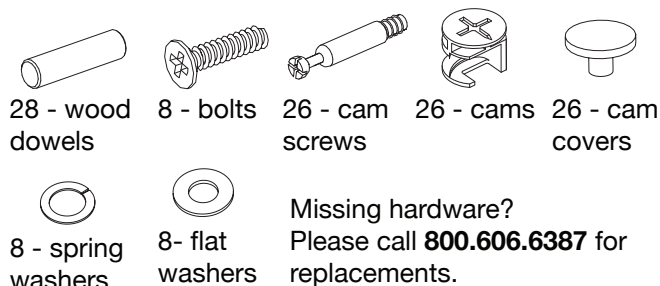
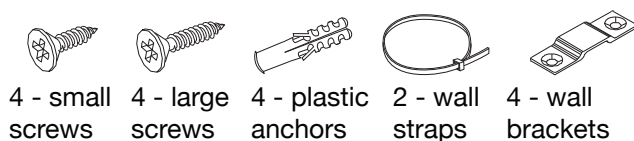


Thank you for purchasing the **Crossroads Bookshelf**. This page lists all the contents included in the box. Please take the time to identify the hardware as well as the individual components to this product. As you unpack and prepare for assembly, place the contents on a carpeted or padded area to protect them from damage.
 Note: 2 people are required to safely assemble this product.

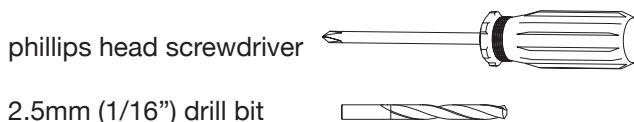
hardware



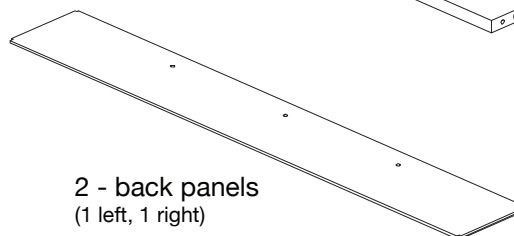
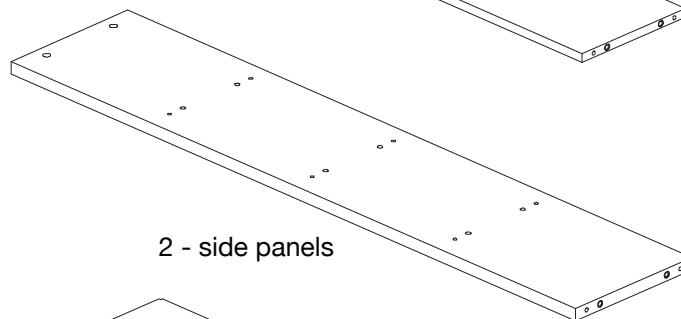
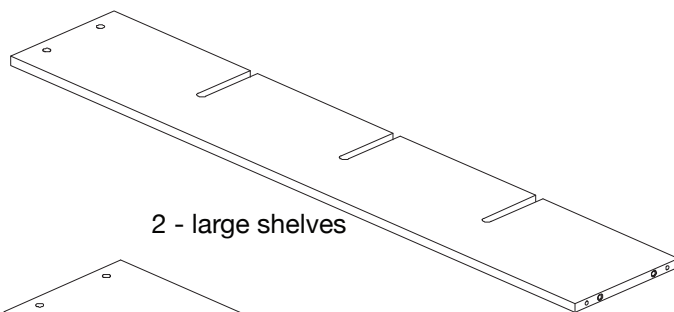
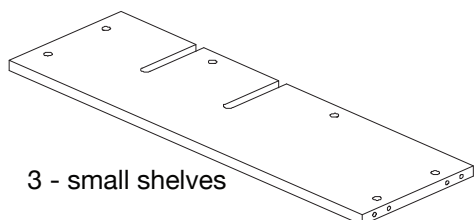
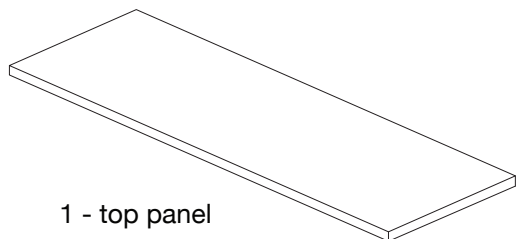
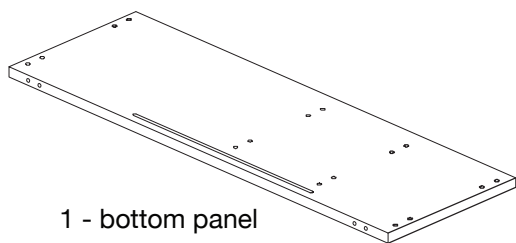
mounting hardware



tools required



components



A **X 3**
small shelf

Make sure arrows on each cam point toward nearest edge with holes

B
top panel

NOTE: Do not over tighten the cam screws

C **X 2**
large shelf

Cam in unlocked position

Cam in locked position

1

A. Insert 6 **cams** into each **small shelf** as shown. Make sure arrows on each cam point toward the nearest edge with holes.

B. Insert 8 **cam screws** into **top panel** as shown. Secure, but do not over tighten, screws using a **phillips head screwdriver**.

C. Insert 4 **wood dowels** and 2 **cams** into each **large shelf** as shown.

A **X 2**
side panel

B **X 2**
left and right back panel

2

A. Insert 6 **cam screws**, 10 **wood dowels** and 2 **cams** into each **side panel** as shown.

B. Insert 3 **cam screws** into **left and right back panels** as shown.

3

Fit dowels of **side panel** into corresponding holes of **small shelves** as shown. Turn each **cam** clockwise until it securely engages each cam screw, using a **phillips head screwdriver**.

side panel

4 Fit dowels of remaining **side panel** into corresponding holes of **small shelves** as shown. Secure all **cams**.

NOTE: Make sure red arrows on large shelves are pointing the same direction during assembly

large shelf

large shelf

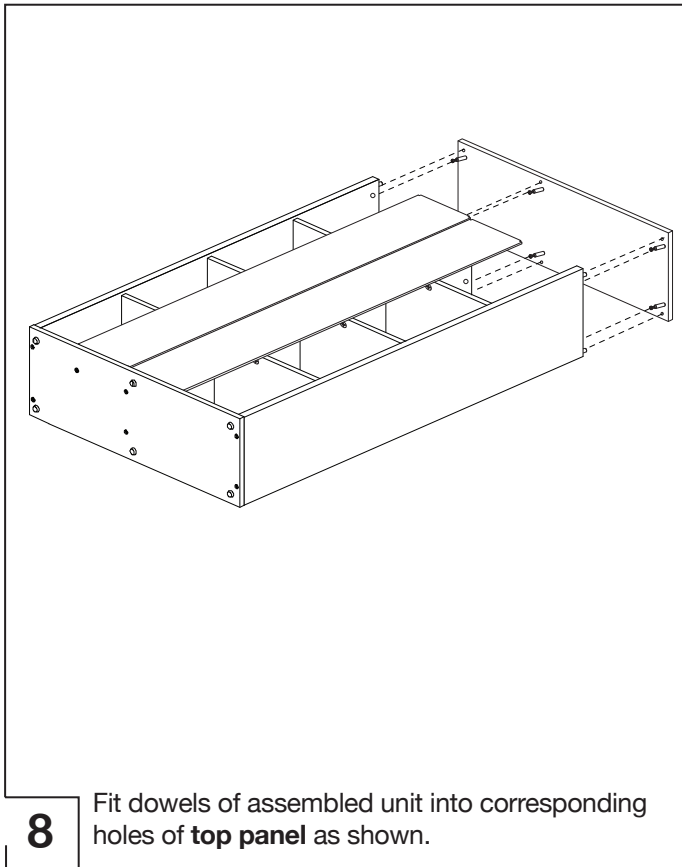
5 With the assistance of another adult, position assembled unit as shown. Fit notches of **large shelves** into corresponding notches of assembled unit as shown.

6 Fit cam screws of **left and right back panels** into corresponding holes of assembled unit as shown. Do not secure **cams** until further instructions.

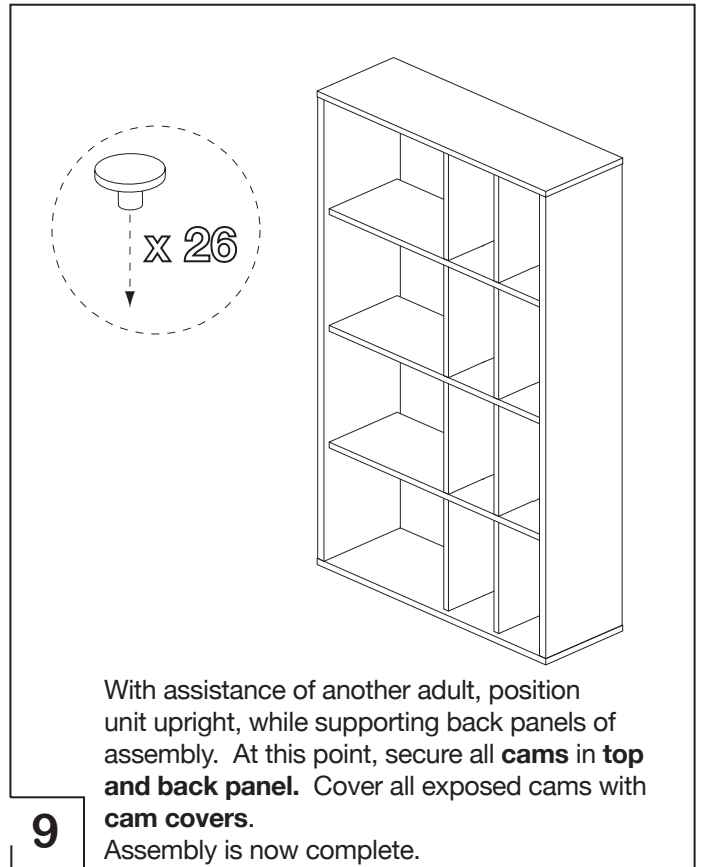
X 8

NOTE: Do not over tighten the bolts

7 Attach **bottom panel** to assembled unit as shown with 8 **bolts**, 8 **spring washers** and 8 **flat washers**. Secure, but do not over tighten, bolts using a **phillips head screwdriver**.



8 Fit dowels of assembled unit into corresponding holes of **top panel** as shown.



9 With assistance of another adult, position unit upright, while supporting back panels of assembly. At this point, secure all **cams** in **top and back panel**. Cover all exposed cams with **cam covers**. Assembly is now complete.

wall mounting assembly

For added safety and stability, it is recommended that the wall mounting hardware be installed. For safe mounting, it is essential to use wall anchors appropriate to your wall type (i.e. plaster, drywall, concrete, etc.). Mount to wood studs whenever possible.

- A) With a **2.5mm (1/16") drill bit**, drill two holes to the top of unit. Attach **2 wall brackets** with **2 small screws** per bracket as shown.
 - B) Determine the final location of unit. Mark position on the wall, approximately 2" below the wall bracket mounted to the back of the unit.
 - C) Drill a hole in the wall stud. If the wall stud is not available, drill a hole in the wall that is slightly smaller in diameter than the anchor. Gently tap each **plastic anchor** until the flange of the anchor is flush with the wall.
 - D) Attach **2 wall brackets** to the wall by inserting **2 large screws** through the wall bracket and into the wall anchor in the wall.
 - E) Place the unit so the wall bracket on the back edge is aligned with the wall bracket.
 - F) Lace one end of the **wall strap** through both brackets, and into the other end of the strap.
 - G) Pull the strap tightly until secure.
- Repeat step A-G for remaining wall mounting assembly.
Wall mounting assembly is now complete.

NOTE: If you are unsure about your wall type or what mounting method you should use, consult a qualified professional or your local hardware store.

