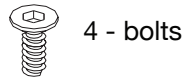


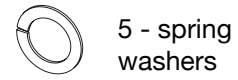


Thank you for purchasing the **Coup Office Chair**. This page lists all the contents included in the box. Please take the time to identify the hardware as well as the individual components to this product. As you unpack and prepare for assembly, place the contents on a carpeted or padded area to protect them from damage.

hardware



4 - bolts



5 - spring washers

Missing hardware? Please call **800.606.6387** for replacements.

tools required

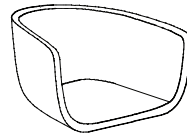
hex wrench (included)



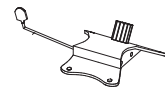
allen wrench (included)



components



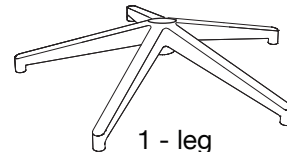
1 - seat



1 - adjustment mechanism



5 - casters

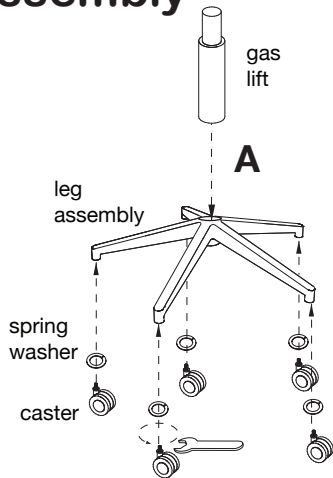


1 - leg assembly

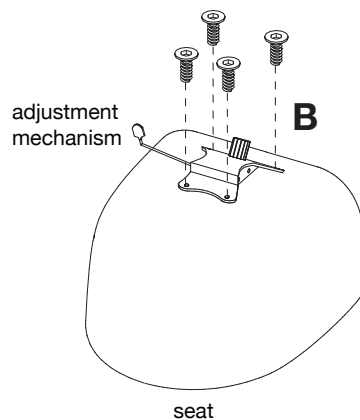


1 - gas lift

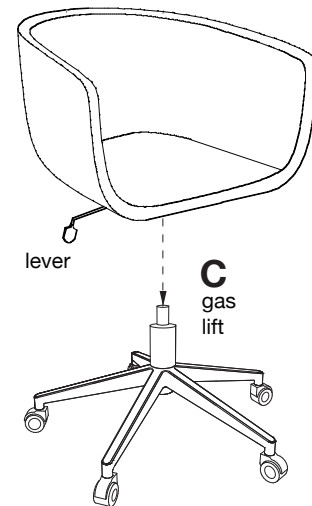
assembly



A. Attach 5 **spring washers** and 5 **casters** to **leg assembly** by turning each caster counter clockwise as shown. Secure using a **hex wrench**. Insert **gas lift** into corresponding hole of **leg assembly** as shown.



B. Place **seat** upside down onto a clean, padded surface. Attach **adjustment mechanism** to **seat** with 4 **bolts**, using an **allen wrench**. Position seat upright.



C. Fit top of **gas lift** into corresponding hole on the bottom of the **seat assembly** as shown. **NOTE: Finalize assembly by sitting heavily on the chair a few times. This will secure all the component connections.**

cleaning & care Vacuum or brush clean upholstered seat. Clean base with a dry or damp soft cloth. Do not use abrasive cleaners.

height adjustment While sitting in the chair, pull the level up to lower the seat.

To raise the seat, take your weight off the chair and pull the lever up.