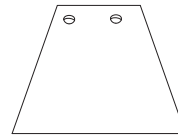


Thank you for purchasing the **Concrete Wall Sconce**. This page lists all the contents included in the box. Please take the time to identify the hardware as well as the individual components to this product. As you unpack and prepare for assembly, place the contents on a carpeted or padded area to protect them from damage.

hardware & components

Missing hardware?
Please call **800.606.6387**
for replacements.



1 - lampshade



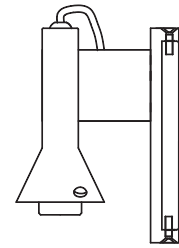
2 - mounting bolts



3 - wire nuts



60 watt max G25 bulb (NOT INCLUDED)

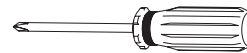


1 - lampshade assembly



3 - lampshade bolts

tools required

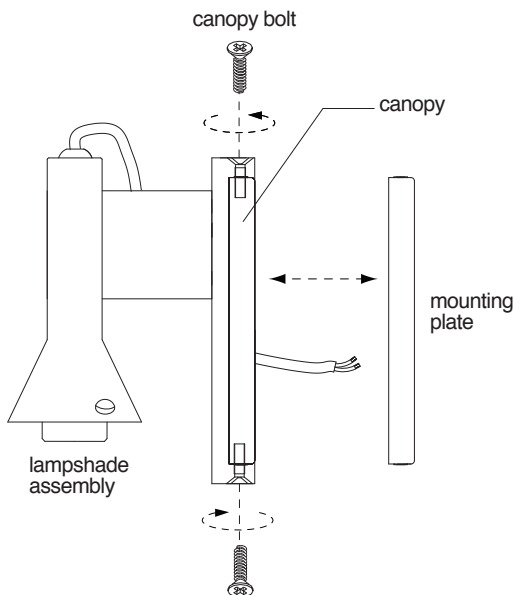


phillips head screwdriver



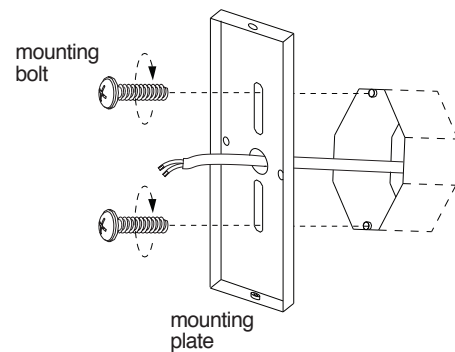
electrical tape

(We recommend the use of hand tools instead of power tools)



Shut off the main electrical supply from the main fuse box/circuit breaker. Carefully unpack all fixture parts and hardware. Lay items out on a clear workspace. With a **phillips head screwdriver**, unscrew 2 **canopy bolts** from canopy of **lamp assembly** and remove the **mounting plate**. Set **lamp assembly** aside until further instructions.

1



Gently pull wiring from wall junction box and fit through hole in middle of **mounting plate**. Align holes in **mounting plate** with holes in junction box and attach with 2 **mounting bolts**, using a screwdriver.

2

Place **lampshade assembly** into position.

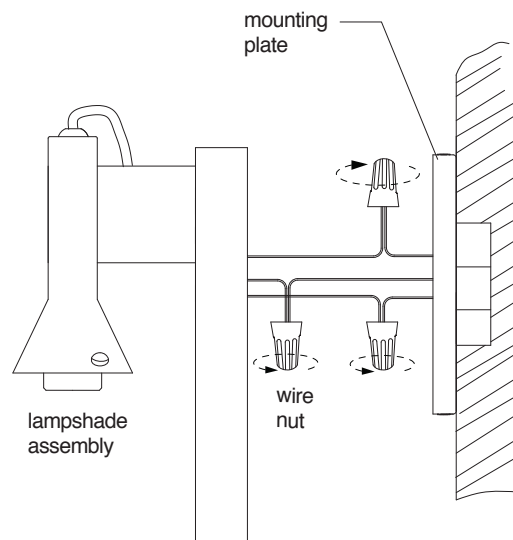
Carefully inspect the fixture wires:

- *Neutral fixture wire* = white
- *Hot fixture wire* = black
- *Ground wire* = green

- Attach the *ground wire* of the lamp to the *ground wire* from the junction box and securely wrap around ground screw of the mounting plate.

- Attach the *neutral fixture wire* from the lamp to the *neutral junction box wire* (usually white). Fasten each together with a **wire nut** and wrap the connection with **electrical tape**.

- Attach the *hot fixture wire* from the lamp to the *hot junction box wire* (usually black). Fasten each together with a **wire nut** and wrap the connection with **electrical tape**.



DO NOT REVERSE THE HOT AND NEUTRAL CONNECTIONS OR SAFETY WILL BE COMPROMISED

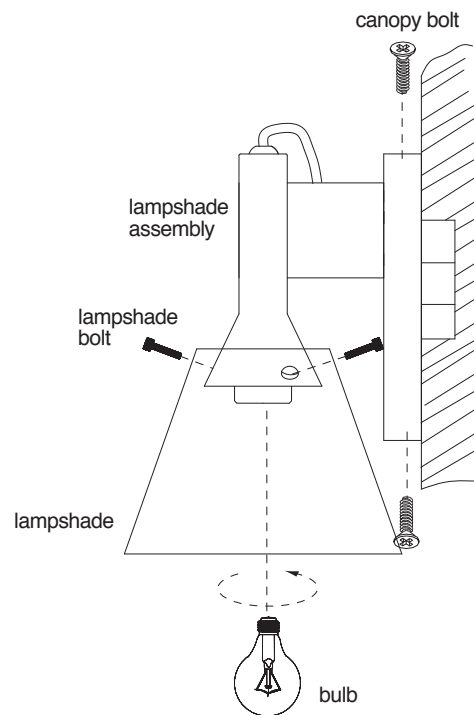
3

Gently tuck wire connections neatly into the lamp assembly. Fit **canopy assembly** onto **mounting plate** and secure with 2 **canopy bolts**, using a screwdriver.

Attach **lampshade** to **lamp assembly** and secure with 3 **lampshade bolts** as shown. Turn each bolt clockwise to secure.

Insert 1- **bulb (not included)** into socket. **DO NOT EXCEED SPECIFIED WATTAGE**. Restore power to junction box and test fixture.

Installation is now complete.



4

cleaning & care

Handle fixture with care as the concrete and glass are fragile. Do not use polishes or cleaners on your lamp. Dust surfaces with a dry soft cloth.