

Thank you for purchasing the **Concrete Nightstand**. This page lists all the contents included in the box. Please take the time to identify the hardware as well as the individual components to this product. As you unpack and prepare for assembly, place the contents on a carpeted or padded area to protect them from damage. Note: 2 people are required to safely assemble this product.

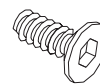
hardware



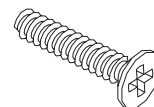
8 - spring washers



8 - flat washers



16 - small bolts



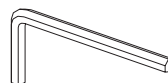
8 - large bolts



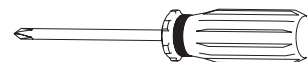
16 - screws

Missing hardware?
Please call **800.606.6387**
for replacements.

tools required



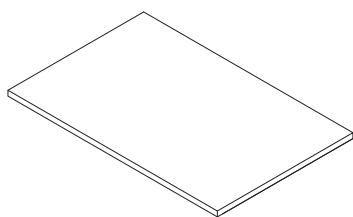
allen wrench
(included)



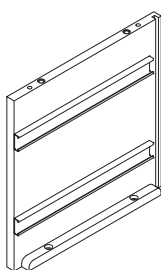
philips head screwdriver

(We recommend the use of hand tools instead of power tools)

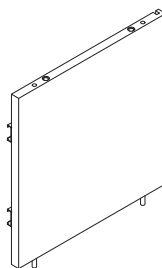
components



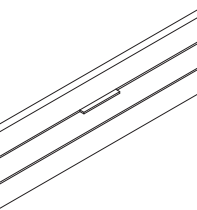
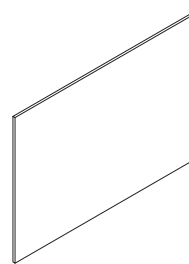
1 - top panel



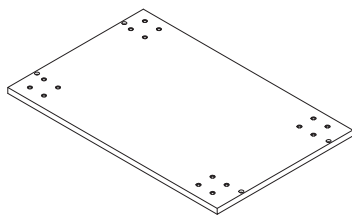
2 - side panels
(1 left, 1 right)



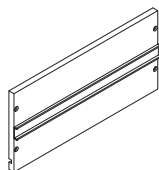
1 - back panel



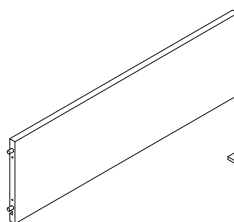
2 - drawer fronts



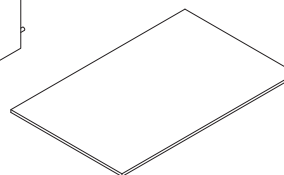
1 - bottom panel



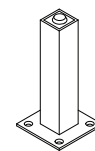
4 - drawer sides
(2 left, 2 right)



2 - drawer backs



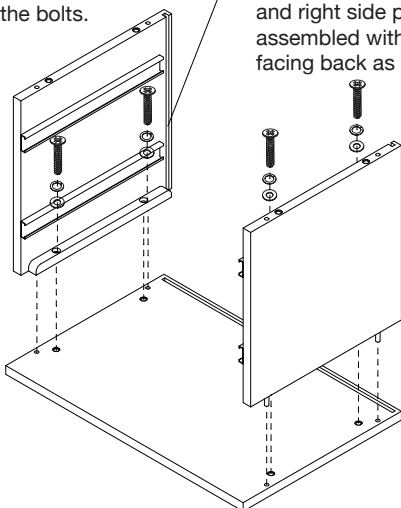
2 - drawer bottoms



4 - legs

NOTE: Do not over tighten the bolts.

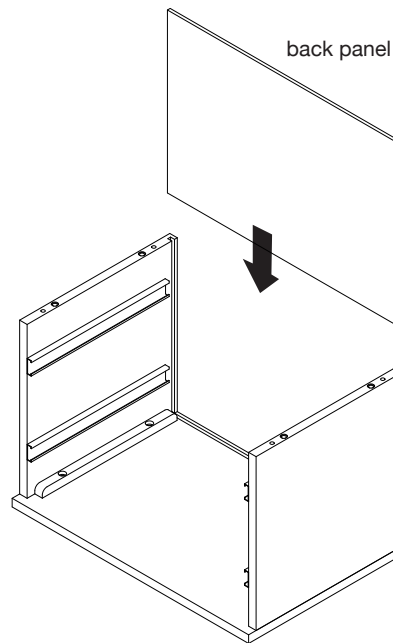
NOTE: Make sure left and right side panels are assembled with grooves facing back as shown



With the assistance of another adult, carefully place **top panel** upside down onto a clean, padded surface. Fit pre-assembled dowels of **left and right side panels** into corresponding holes of **top panel**. Secure **left and right side panels** to **top panel** with 2 **flat washers**, 2 **spring washers** and 2 **large bolts** per side as shown. Secure, but do not over tighten bolts using a **Phillips head screwdriver**.

1

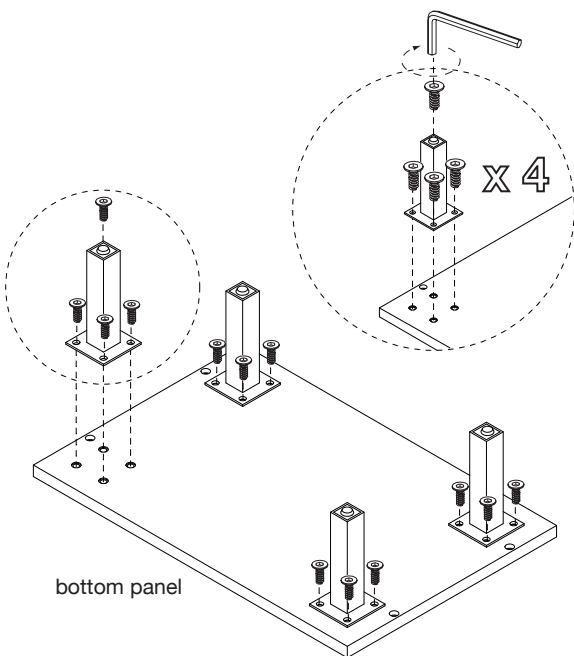
back panel



Slide **back panel** into grooves of **left and right side panels**.

2

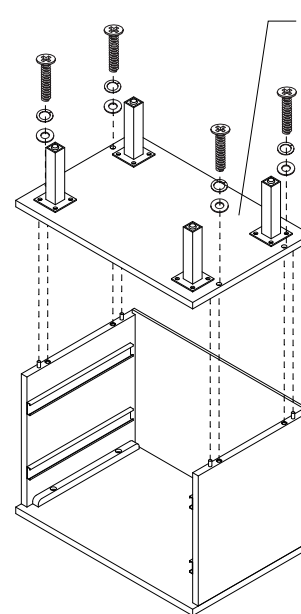
bottom panel



Carefully place **bottom panel** onto a clean, padded surface. Attach 4 **legs** to **bottom panel** with 4 **small bolts** as shown. Secure, but do not over tighten the bolts using an **Allen wrench**.

3

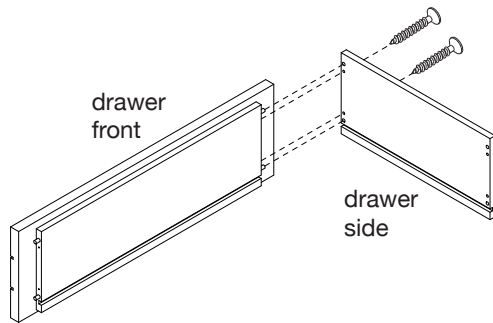
bottom panel



With the assistance of another adult, fit pre-assembled dowels of **left/right side panels** into corresponding holes of **bottom panel**. Secure **bottom panel** with 4 **flat washers**, 4 **spring washers** and 4 **large bolts** using a screwdriver.

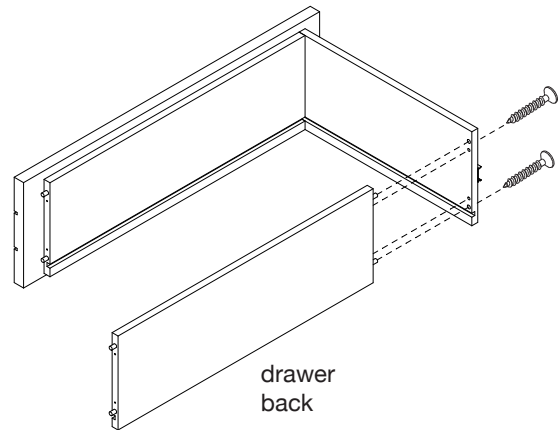
4

NOTE: Do not over tighten the screws



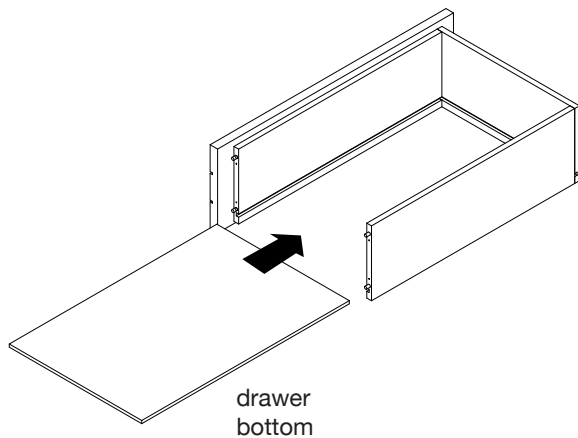
Fit pre-assembled dowels of **drawer front** into corresponding holes of **drawer side**. Secure **drawer front** to **drawer side** with 2 screws as shown using a **phillips head screwdriver**. Do not over tighten the screws.

5



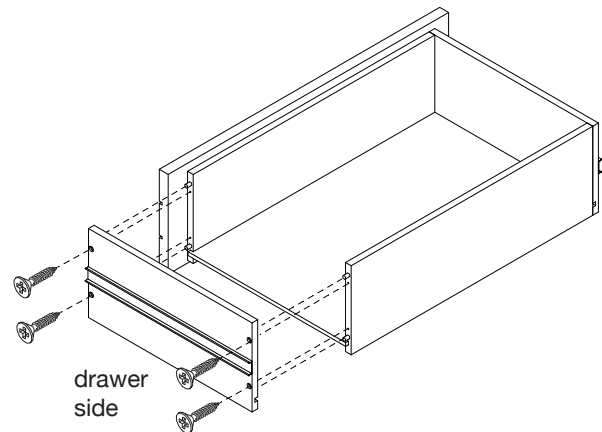
Fit pre-assembled dowels of **drawer back** into corresponding holes of **drawer side**. Secure **drawer back** to **drawer side** with 2 screws using a screwdriver.

6



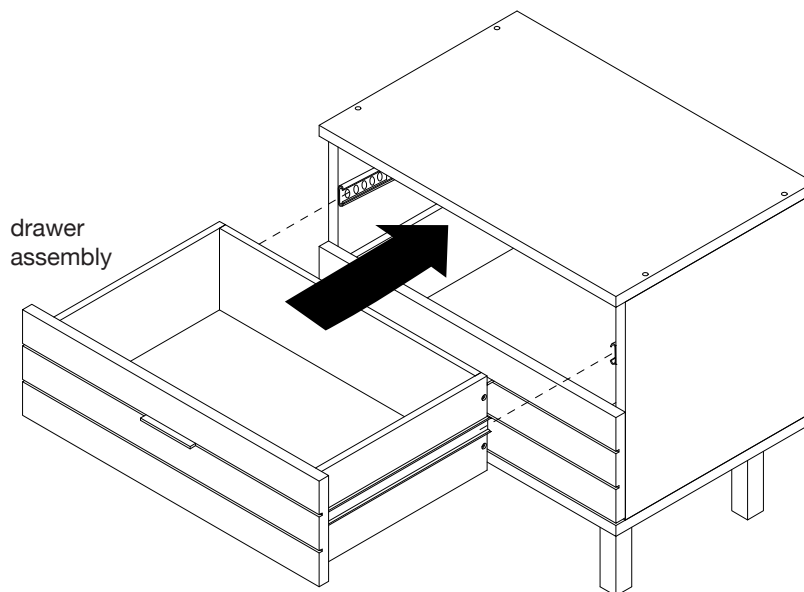
Slide **drawer bottom** into corresponding grooves of drawer assembly.
Repeat steps 5-8 for remaining drawer.

7



Fit pre-assembled dowels of **drawer front** and **back** into corresponding holes of **drawer side**. Secure **drawer side** with 4 screws as shown, using a screwdriver.
Repeat steps 5-8 for remaining drawers.

8



9 With the assistance of another adult, position unit upright. Pull ball bearing glides of assembly all the way forward. Fit drawer glides of *drawer* into corresponding drawer glides of assembly as shown. Firmly push *drawer* into assembly until the glides are securely engaged. Assembly is now complete.

cleaning & care

Clean surfaces with a dry or damp soft cloth. Do not use abrasive cleaners. Do not use furniture wax or polish as the unit is finished with a protective clear lacquer.