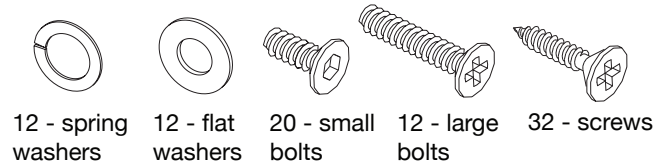


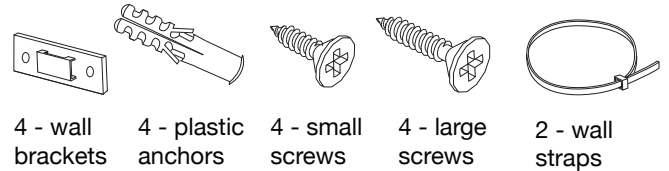
Thank you for purchasing the **Concrete Low Dresser**. This page lists all the contents included in the box. Please take the time to identify the hardware as well as the individual components to this product. As you unpack and prepare for assembly, place the contents on a carpeted or padded area to protect them from damage. Note: 2 people are required to safely assemble this product.

hardware



12 - spring washers 12 - flat washers 20 - small bolts 12 - large bolts 32 - screws

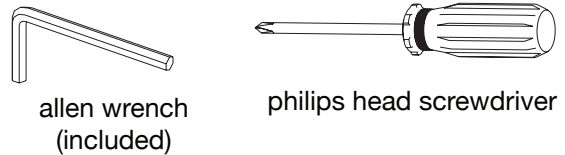
mounting hardware



4 - wall brackets 4 - plastic anchors 4 - small screws 4 - large screws 2 - wall straps

Missing hardware?
Please call **800.606.6387** for replacements.

tools required

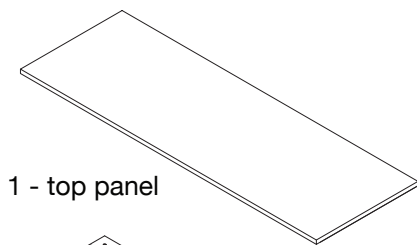


allen wrench
(included)

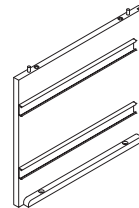
philips head screwdriver

(We recommend the use of hand tools instead of power tools)

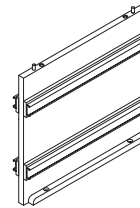
components



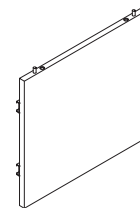
1 - top panel



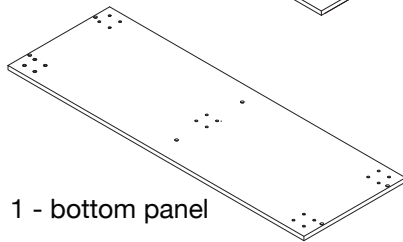
1 - left side panel



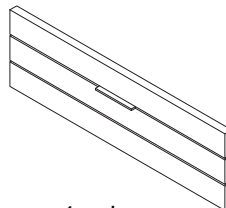
1 - partition



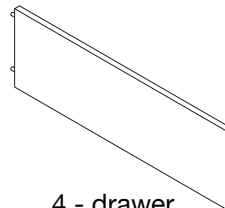
1 - right side panel



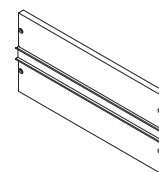
1 - bottom panel



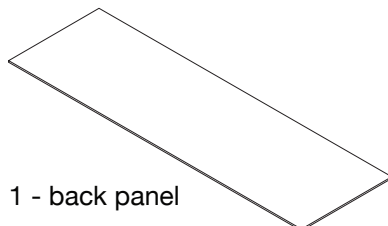
4 - drawer fronts



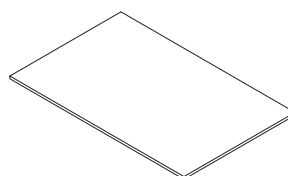
4 - drawer backs



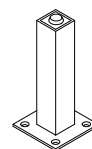
8 - drawer sides
(4 left, 4 right)



1 - back panel



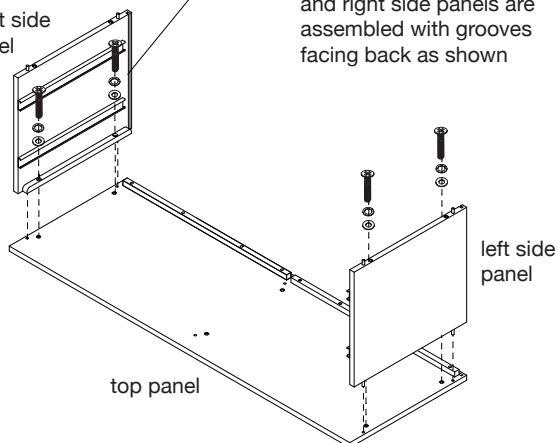
4 - drawer bottoms



5 - legs

NOTE: Do not over tighten the bolts.

right side panel



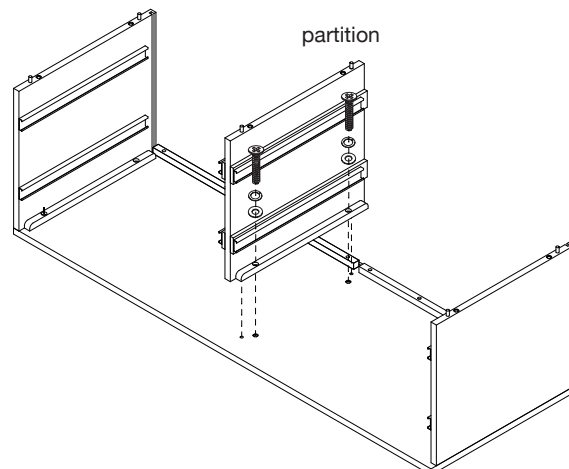
NOTE: Make sure left and right side panels are assembled with grooves facing back as shown

left side panel

top panel

With the assistance of another adult, carefully place **top panel** upside down onto a clean, padded surface. Fit pre-assembled dowels of **left and right side panels** into corresponding holes of **top panel**. Secure **left and right side panels** to **top panel** with 2 flat washers, 2 spring washers and 2 large bolts as shown. Secure, but do not over tighten bolts using a **phillips head screwdriver**.

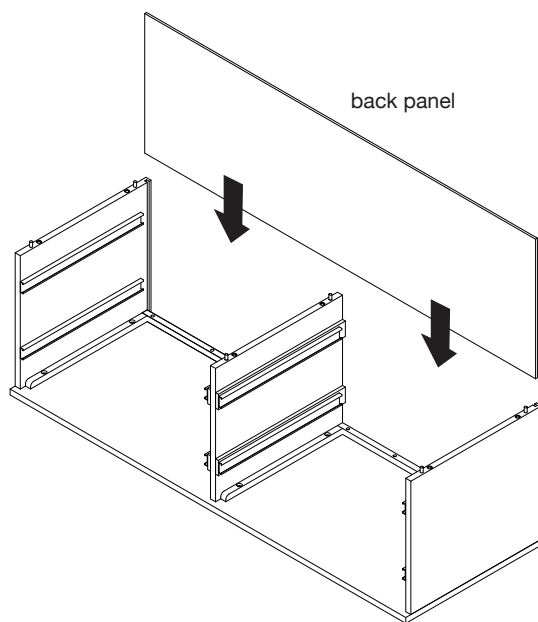
1



partition

Fit pre-assembled dowels of **partition** into corresponding holes of **top panel**. Secure **partition** to **top panel** with 2 flat washers, 2 spring washers and 2 large bolts as shown, using a screwdriver.

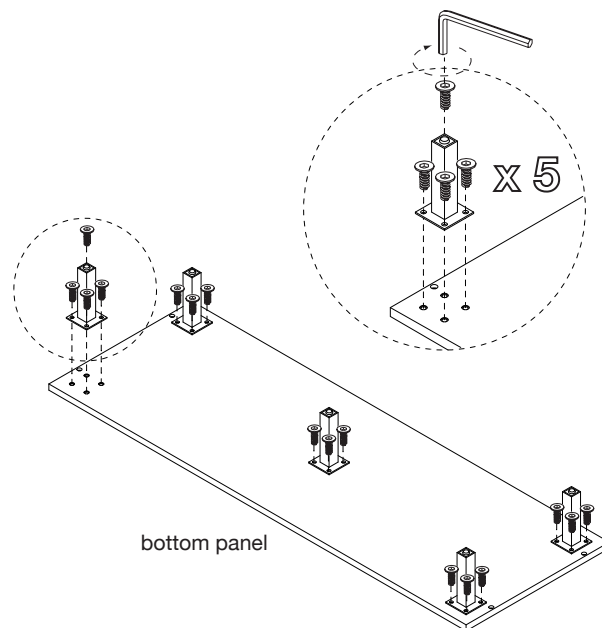
2



back panel

Slide **back panel** into grooves of **left and right side panels**.

3



bottom panel

Carefully place **bottom panel** onto a clean, padded surface. Attach 5 legs to **bottom panel** with 4 small bolts as shown. Secure, but do not over tighten the bolts using an **allen wrench**.

4

5 With the assistance of another adult, fit pre-assembled dowels of **left/right side panels** and **partition** into corresponding dowels of **bottom panel**. Secure **bottom panel** with 6 **flat washers**, 6 **spring washers** and 6 **large bolts** using a screwdriver.

NOTE: Do not over tighten the screws

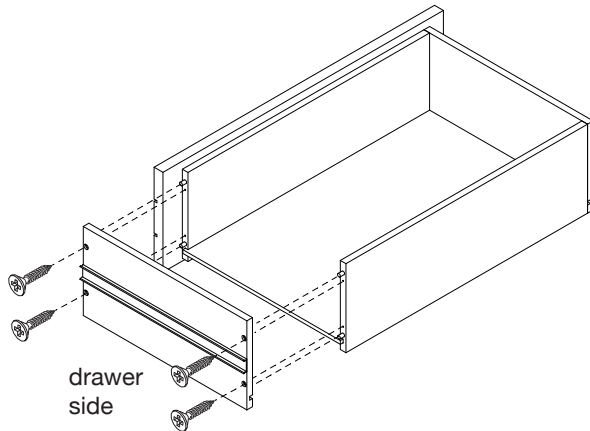
6 Fit pre-assembled dowels of **drawer front** into corresponding holes of **drawer side**. Secure **drawer front** to **drawer side** with 2 **screws** as shown using a **Phillips head screwdriver**. Do not over tighten the screws.

7 Fit pre-assembled dowels of **drawer back** into corresponding holes of **drawer side**. Secure **drawer back** to **drawer side** with 2 **screws** using a screwdriver.

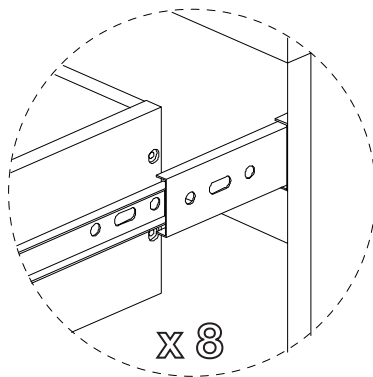
8 Slide **drawer bottom** into corresponding grooves of drawer assembly.

Fit pre-assembled dowels of **drawer front** and **back** into corresponding holes of **drawer side**. Secure **drawer side** with 4 **screws** as shown, using a screwdriver.

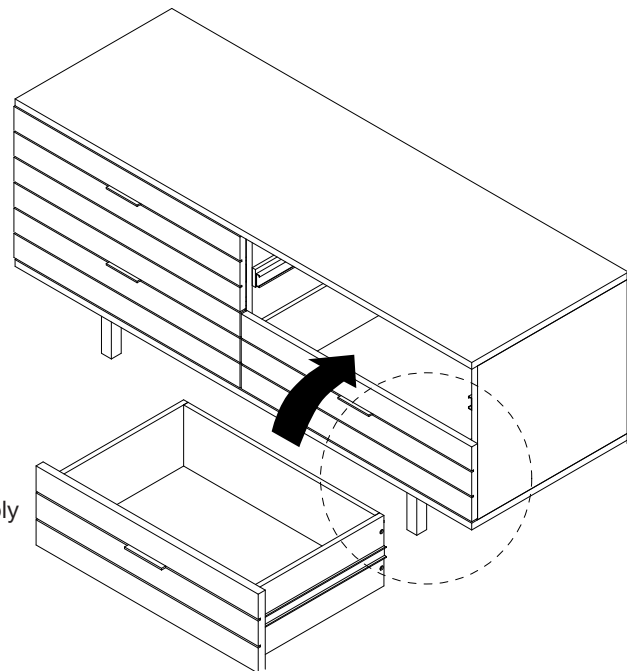
Repeat steps 6-9 for remaining drawers.



9



drawer assembly



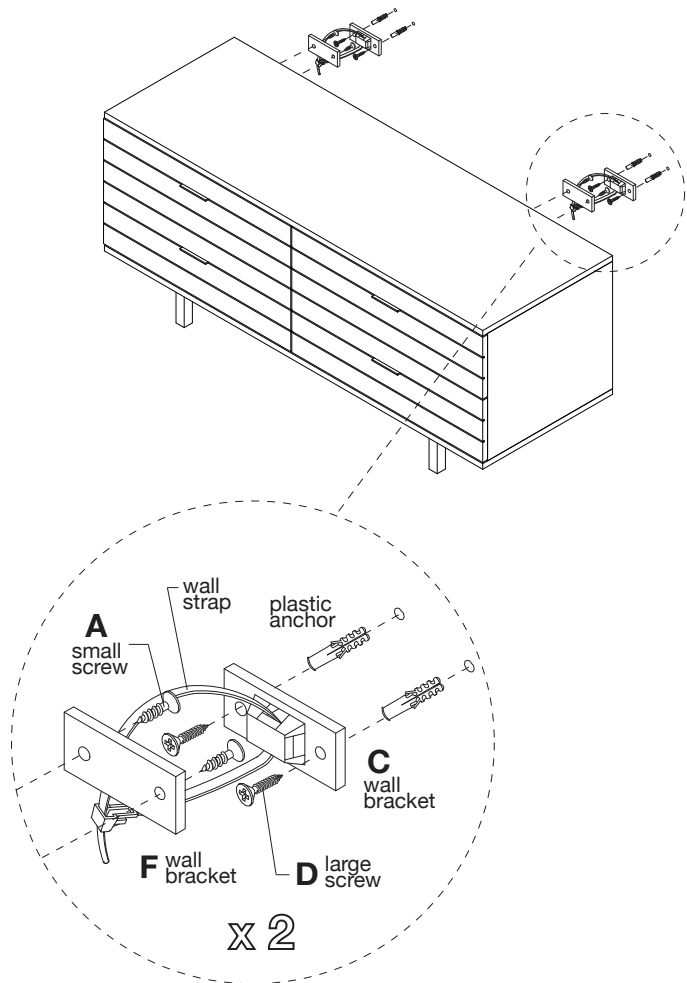
With the assistance of another adult, position unit upright. Fit drawer glides of *drawer* into corresponding drawer glides of assembly as shown. Firmly push *drawer* into assembly until the glides are securely engaged. Assembly is now complete.

10

safety mounting instructions

For added safety and stability, it is recommended that the wall mounting hardware be installed. For safe mounting, it is essential to use wall anchors appropriate to your wall type (i.e. plaster, drywall, concrete, etc.). Mount to wood studs whenever possible.

- A) Attach 1 **wall bracket** to top of unit as shown, using 2 **small screws** per bracket.
- B) Determine the final location of unit. Mark position on the wall, approximately 2" below the bracket mounted to the back of the cabinet.
- C) Drill a hole in the wall stud. If the wall stud is not available, drill a hole in the wall that is slightly smaller in diameter than the anchor. Gently tap the **plastic anchor** until the flange of the anchor is flush with the wall.
- D) Attach the **wall bracket** to the wall by inserting 2 **large screws** through the wall bracket and into the wall anchor in the wall.
- E) Place the unit so the wall bracket on the back edge is aligned with the wall bracket.
- F) Lace one end of the **wall strap** through both brackets, and into the other end of the strap.
- G) Pull the strap tightly until secure. Repeat steps for remaining brackets and wall strap.



NOTE:

If you are unsure about your wall type or what mounting method you should use, consult a qualified professional or your local hardware store.

cleaning and care

Clean surfaces with a dry or damp soft cloth. Do not use abrasive cleaners. Do not use furniture wax or polish as the unit is finished with a protective clear lacquer. It is recommended to use coasters to protect surface from heat and water.