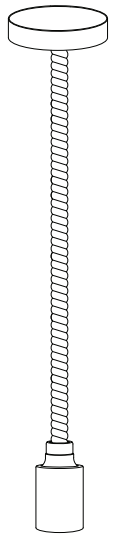


Thank you for purchasing the **Chord Pendant**. This page lists all the contents included in the box. Please take the time to identify the hardware as well as the individual components to this product. As you unpack and prepare for assembly, place the contents on a carpeted or padded area to protect them from damage. Note: 2 people are required to safely install this product.

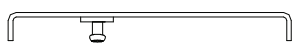
components & hardware

Missing hardware?
Please call **800.606.6387**
for replacements.

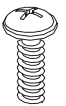


2 - washers


1 - pendant assembly




1 - mounting plate



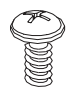
2 - mounting bolts





2 - small wire nuts



1 - large wire nut

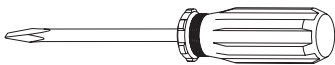


2 - canopy bolts

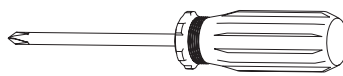



1 - 13 watt max CFL bulb (NOT INCLUDED)
OR 1- 60 watt max type G bulb (NOT INCLUDED)


tools required



flat head screwdriver



phillips head screwdriver



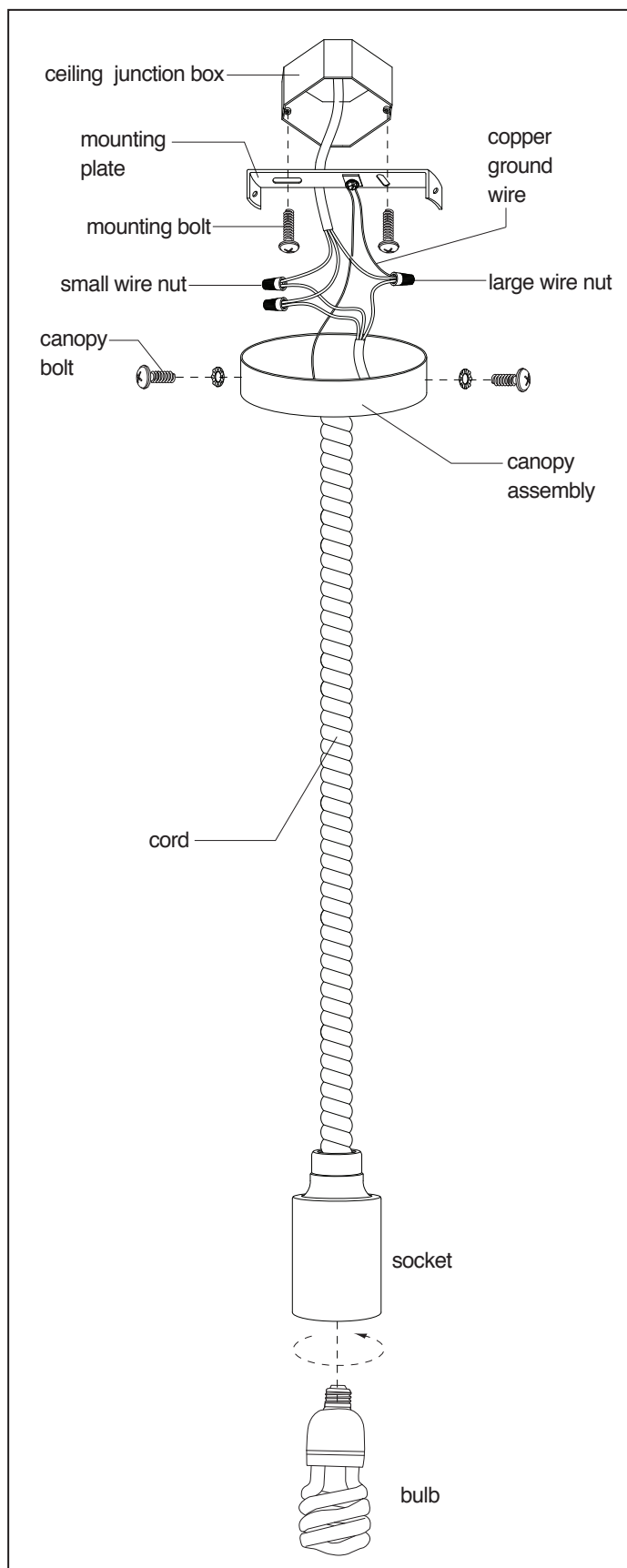
electrical tape

cleaning & care

Dust surfaces with a dry soft cloth.

IMPORTANT SAFETY INSTRUCTIONS:
If you are unsure about your ceiling/wall type or what mounting method you should use, consult a qualified professional or your local hardware store.

We recommend installation of this pendant lamp be performed by a licensed electrician.



- 1) Shut off the main electrical supply from the main fuse box/circuit breaker.
 - 2) Carefully unpack all fixture parts and hardware. Lay items out on a clear workspace.
 - 3) Place the **mounting plate** over the center of the ceiling junction box.
 - 4) Align holes in **mounting plate** with holes in junction box and attach with 2 **mounting bolts**, using a **phillips head screwdriver**.
 - 5) Gently pull wiring down from ceiling junction box and allow it to hang.
 - 6) Carefully inspect the pendant's fixture wires:
 - *Neutral fixture wire* = white
 - *Hot fixture wire* = black
 - *Ground wires* = bare copper, green
 - 7) Wrap the *bare copper ground wire* around the *green screw* of the **mounting plate** 2 times, leaving approximately 6" exposed. Tighten the *green screw* with a **flat head screwdriver**.
 - 8) Attach the exposed end of the *bare copper ground wire* that is wrapped around the green screw and the *short green ground wire* that is attached to the canopy to the *ground junction box wire* from the outlet (usually green or bare wire). Fasten all 3 wires together with a **wire nut** and wrap the connection with electrical tape. Be sure no wire strands are exposed.
 - 9) Attach the *neutral fixture wire* from the pendant to the *neutral junction box wire* (usually white). Fasten each together with a **small wire nut** and wrap the connection with electrical tape.
 - 10) Attach the *hot fixture wire* from the pendant to the *hot junction box wire* (usually black). Fasten each together with a **small wire nut** and wrap the connection with electrical tape.
- DO NOT REVERSE THE HOT AND NEUTRAL CONNECTIONS OR SAFETY WILL BE COMPROMISED.**
- 11) Gently tuck wire connections neatly into the ceiling junction box.
 - 12) Fit **canopy assembly** onto **mounting plate** and secure with 2 **canopy bolts** and 2 **washers**, using a **phillips head screwdriver**.
 - 13) Insert 1- **bulb (not included)** into **socket**. **DO NOT EXCEED SPECIFIED WATTAGE.**
 - 14) Restore power to junction box and test fixture. Installation is now complete.