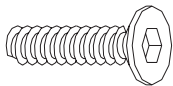


chevron SMALL COFFEE TABLE

CB2



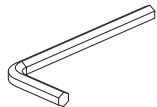
hardware



8 - bolts

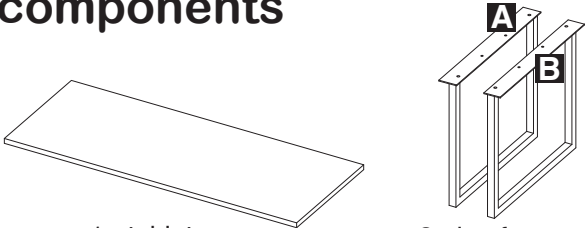
Missing hardware?
Please call **800.606.6387** for replacements.

tools required



allen wrench (included)

components



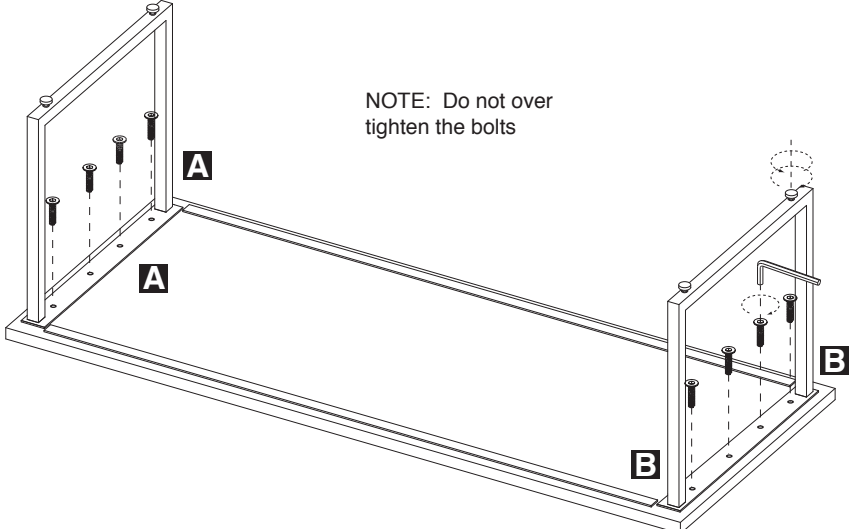
1 - tabletop 2 - leg frames

assembly

With the assistance of another adult, carefully place **tabletop** upside onto a clean, padded surface as shown. Attach **2 leg frames** to **tabletop** with 4 **bolts** per leg frame as shown. Secure, but do not over tighten, bolts with an **allen wrench**.

Adjust levelers of each leg as necessary to compensate for uneven floors.

Position unit upright.
Assembly is now complete.



NOTE: Do not over tighten the bolts

cleaning & care

- Dust with a soft, dry cloth.
- Do not leave spills unattended. Always wipe up spills promptly and dry with a soft cloth.
- For indoor use only.
- It is highly recommended to protect your furniture from water and scratches by using coasters & placemats.
- Keep your furniture out of direct sunlight.
- If the wood veneer seems dry, treat your tabletop with a furniture wax.