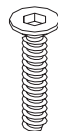


Thank you for purchasing the **Chelsea Bench**. This page lists all the contents included in the box. Please take the time to identify the hardware as well as the individual components to this product. As you unpack and prepare for assembly, place the contents on a carpeted or padded area to protect them from damage.

Note: 2 people are required to safely assemble this product.

## hardware



4 - large bolts



4 - small bolts



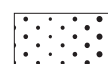
4 - flat washers

Missing hardware?  
Please call **800.606.6387** for replacements.

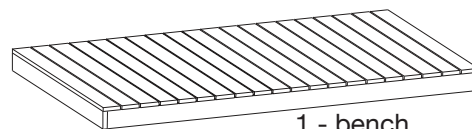
## components



2 - leg frames



1 - scouring pad



1 - bench

## tools required

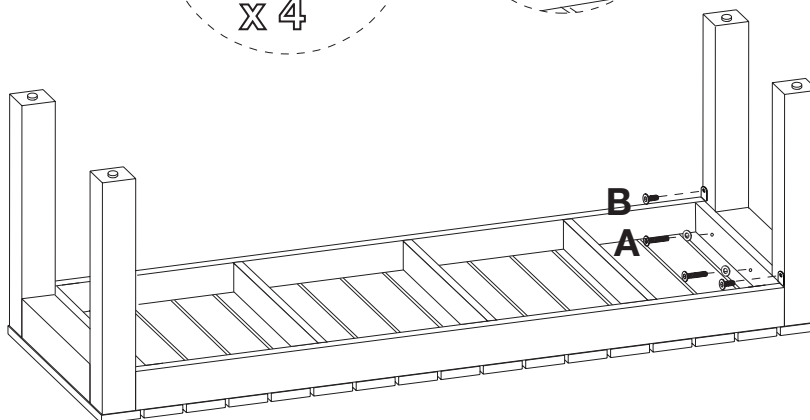
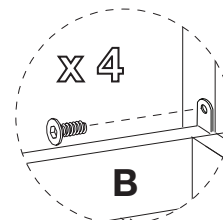
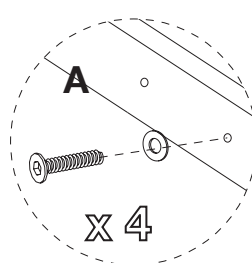


allen wrench ( included )

## assembly

A. With the assistance of another adult, position **bench** upside down onto a clean, padded surface as shown. Attach each **leg frame** to **bench** with 2 **large bolts**, 2 **flat washers**. Secure, but do not over tighten, hex nuts with an **allen wrench**.

B. Attach **bench** to corresponding brackets of **leg frames** with 4 **small bolts**, using an **allen wrench**. Position unit upright. Assembly is now complete.



**cleaning & care** To remove minor scratches on the surface, rub gently with the provided scouring pad. Do not rub in a circular motion.

**warning** To prevent potential deformation of faux wood material, do not leave glassware on the table slats under direct sunlight in temperatures of 95°F and above.